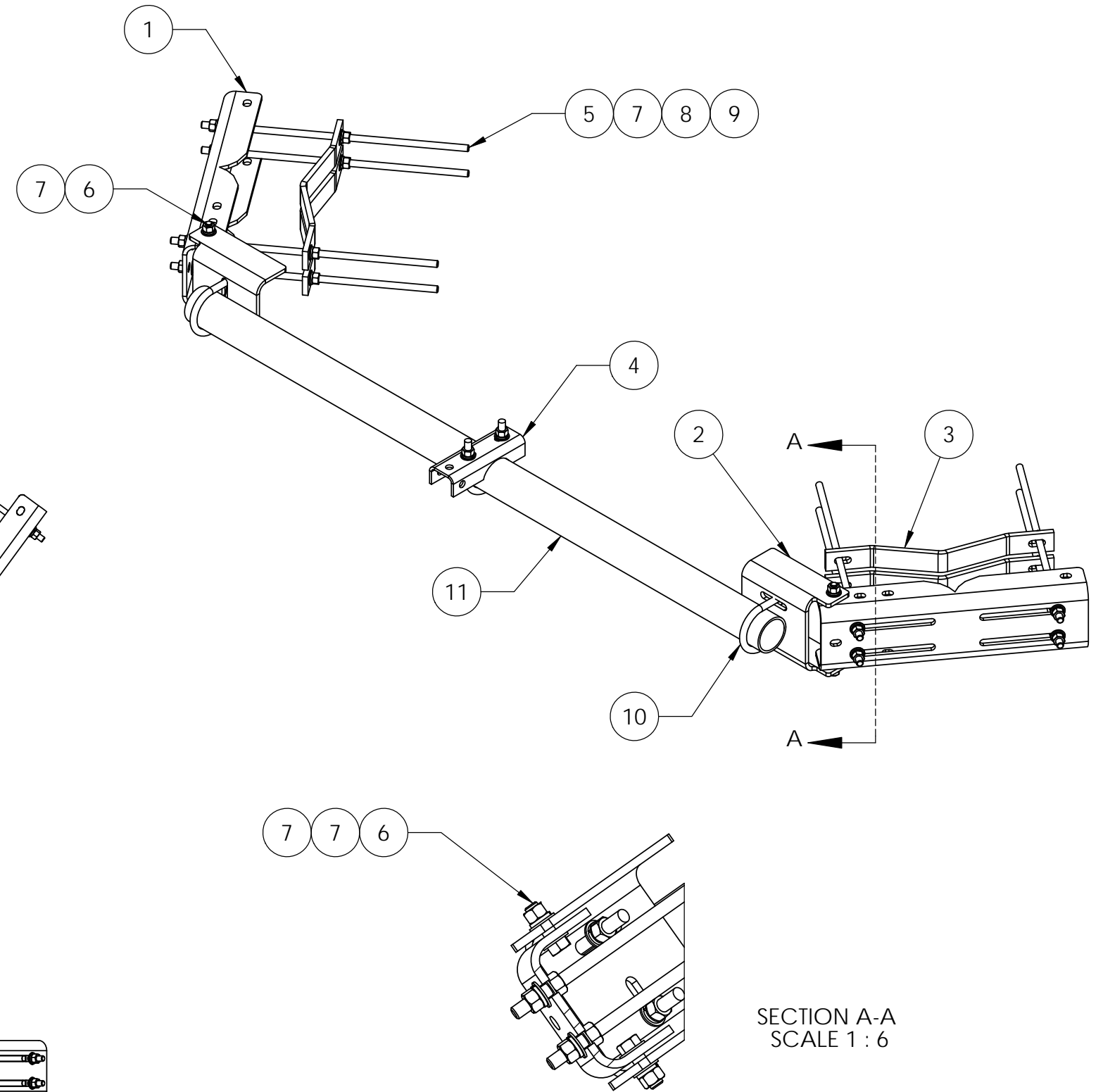
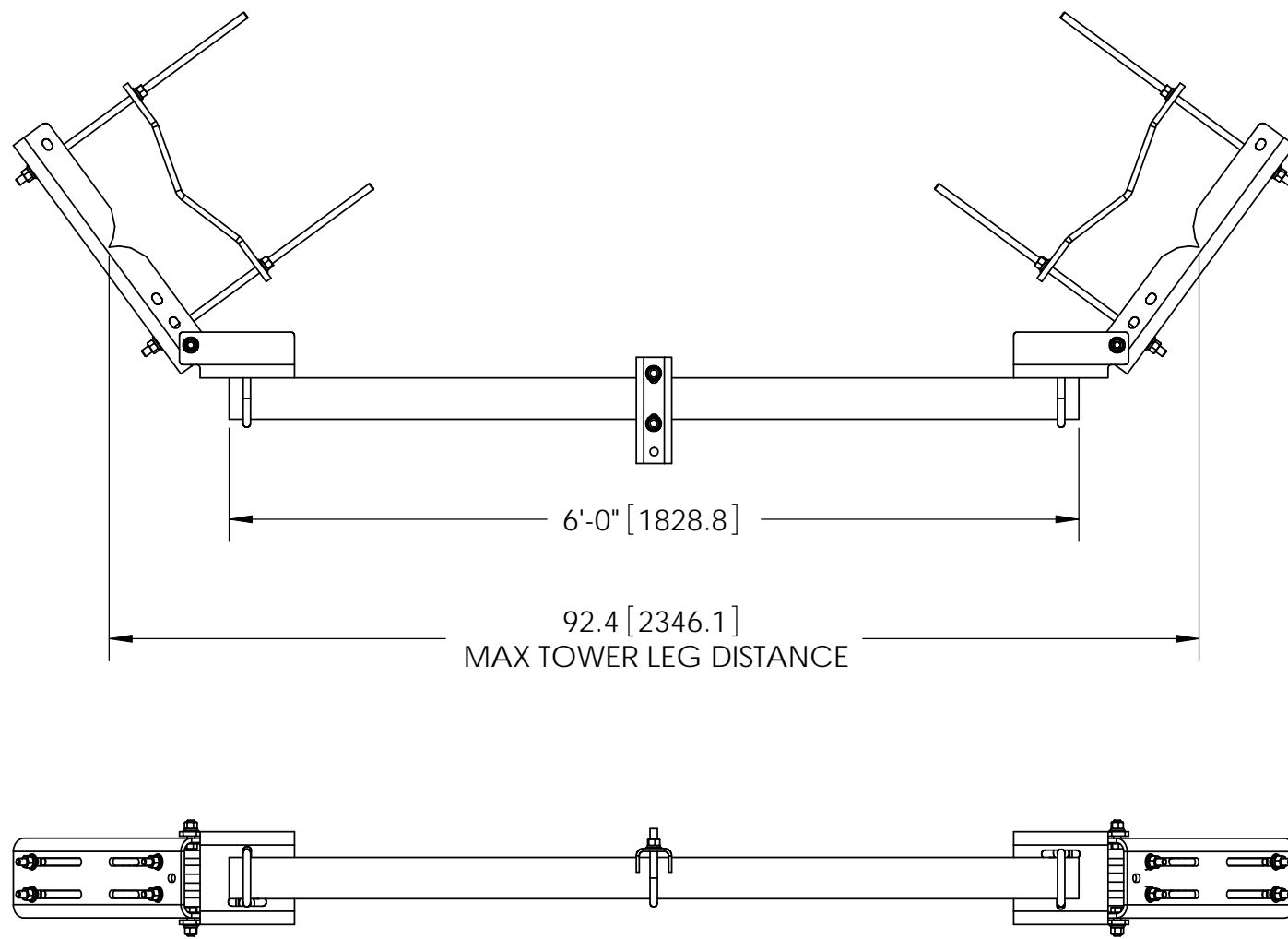


ITEM	PART NO.	DESCRIPTION	QTY.	WEIGHT
1	MDLCS01	Large Universal Leg Channel	2	27.48 LBS
2	MTC9872.02	CHANNEL PIVOT BRACKET	2	12.43 LBS
3	MDLCS02	MDLCS Half Clamp 6" - 12" 90deg	4	5.71 LBS
4	TFMSS35	Stiffarm Strut Support 3.5"OD	1	3.20 LBS
5	MT-382-24	5/8" X 24" THREADED ROD	8	1.93 LBS
6	GB-05205	5/8" X 2" GALV BOLT KIT	4	0.39 LBS
7	GWF-05	5/8" GALV FLAT WASHER	32	0.00 LBS
8	GWL-05	5/8" GALV LOCK WASHER	16	0.03 LBS
9	GN-05	5/8" GALV HEX NUT	24	0.08 LBS
10	GUB-53560	5/8" X 3-5/8" X 6" GALV U-BOLT	3	1.30 LBS
11	MT54772	3.50" OD x 72" Pipe	1	45.21 LBS

REVISIONS				
REV.	ZONE	DESCRIPTION	BY	DATE
A		INITIAL RELEASE	OGG	06/30/10



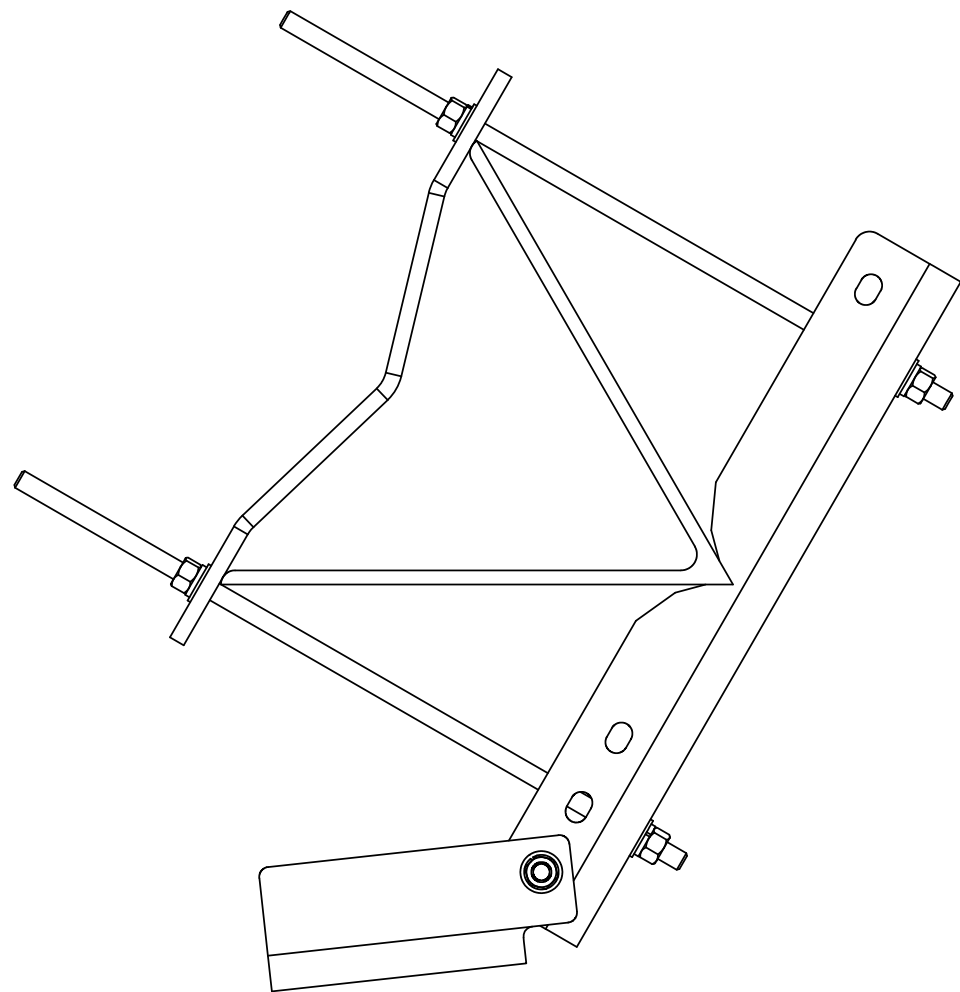
SECTION A-A  
SCALE 1 : 6

NOTES:

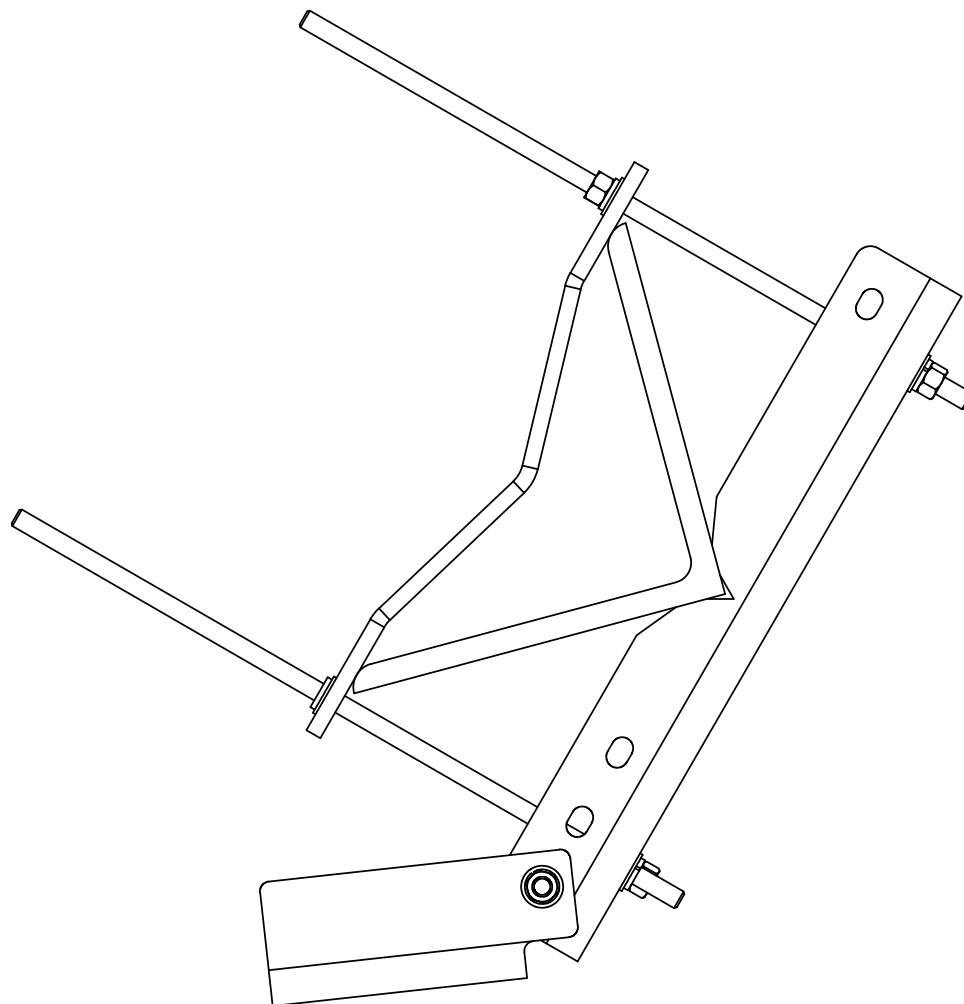
1. ALL METRIC DIMENSIONS ARE IN BRACKETS.
2. FITS 90° 6" TO 12" ANGLE, 60° 8" TO 16" ANGLE, 8" TO 16" OD LEGS

<small>These drawings and specifications are the proprietary property of ANDREW CORPORATION and may be used only for the specific purpose authorized in writing by Andrew Corporation.</small> ALL DIMENSIONS ARE IN INCHES U.O.S. TOLERANCES UNLESS OTHERWISE SPECIFIED: .X = ± .12      ANGLES      ±2° .XX = ± .06      FRACTIONS      ±1/32 .XXX = ± .03 REMOVE BURRS AND BREAK EDGES .005 DO NOT SCALE THIS PRINT	DRAWN BY: MSM	SHEET: 1 of 2	PART NUMBER: MDL-CS-6R
	CHECKED BY: TP	SCALE: NTS	DESCRIPTION: Large Microwave Dish channel Suport, 6' Rnd Pipe
	DATE: 05/03/10	MATERIAL: A36, A53	DRAWING TYPE: ASSEMBLY DRAWING
	REVISION: A	FINISH: GALV A123	WEIGHT: 175.99 LBS

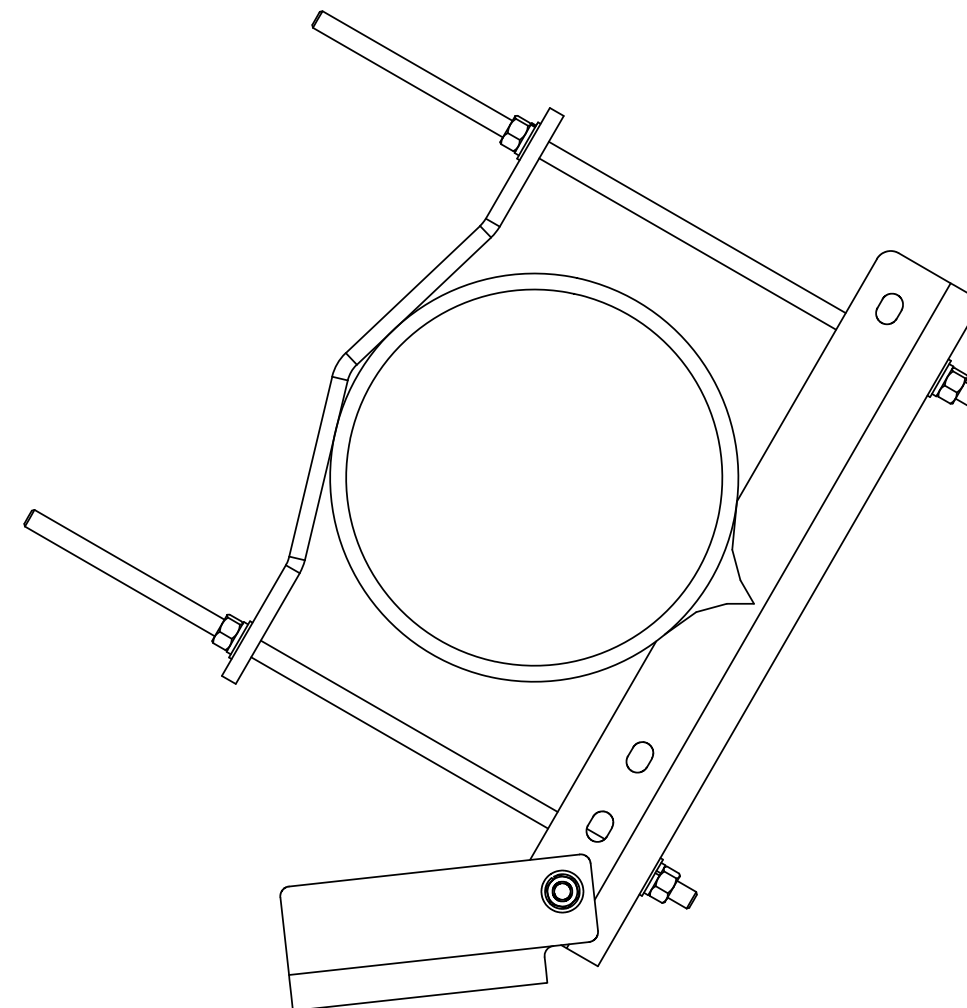
# OPTIONAL MOUNTING



60 ° TOWER LEG



90 ° TOWER LEG



ROUND TOWER LEG

<p>These drawings and specifications are the proprietary property of ANDREW CORPORATION and may be used only for the specific purpose authorized in writing by Andrew Corporation.</p> <p>ALL DIMENSIONS ARE IN INCHES U.O.S. TOLERANCES UNLESS OTHERWISE SPECIFIED:</p> <p>.X = ± .12      ANGLES      ±2° .XX = ± .06      FRACTIONS      ±1/32 .XXX = ± .03</p> <p>REMOVE BURRS AND BREAK EDGES .005</p> <p>DO NOT SCALE THIS PRINT</p>	<p>DRAWN BY: MSM</p>	<p>SHEET: 2 of 2</p>	<p>PART NUMBER: MDL-CS-6R</p>
	<p>CHECKED BY: TP</p>	<p>SCALE: NTS</p>	<p>DESCRIPTION: Large Microwave Dish channel Suport, 6' Rnd Pipe</p>
	<p>DATE: 05/03/10</p>	<p>MATERIAL: A36, A53</p>	<p>DRAWING TYPE: ASSEMBLY DRAWING</p>
	<p>REVISION: A</p>	<p>FINISH: GALV A123</p>	<p>WEIGHT: 175.99 LBS</p>



WESTCHESTER, IL. 60154  
U.S.A.