

- 1.0 GENERAL NOTES
- 1.1 ALL METRIC DIMENSIONS ARE IN BRACKETS [X. X]
- 1.2 FOR PATENT INFO: <https://www.cs-pat.com>

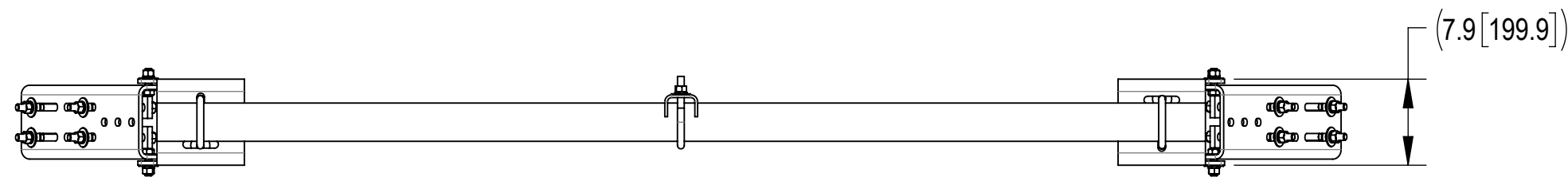
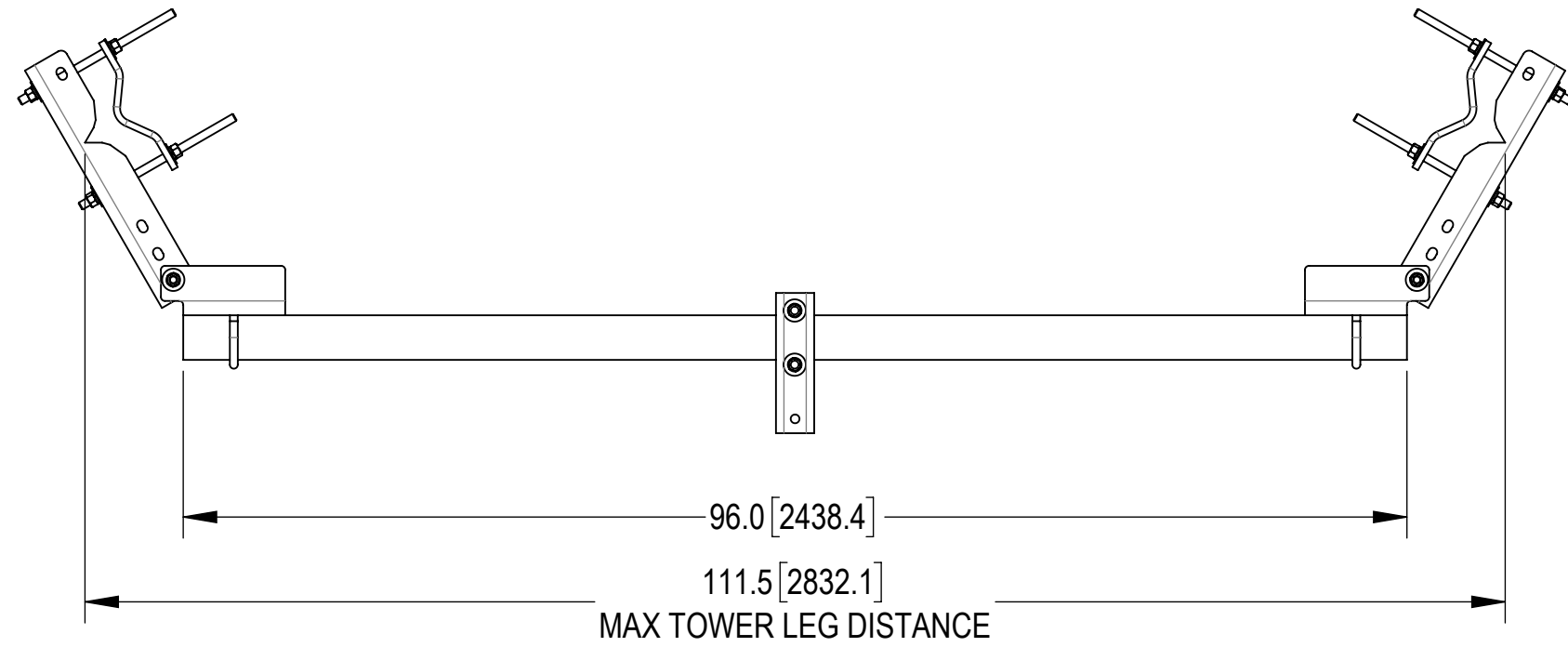
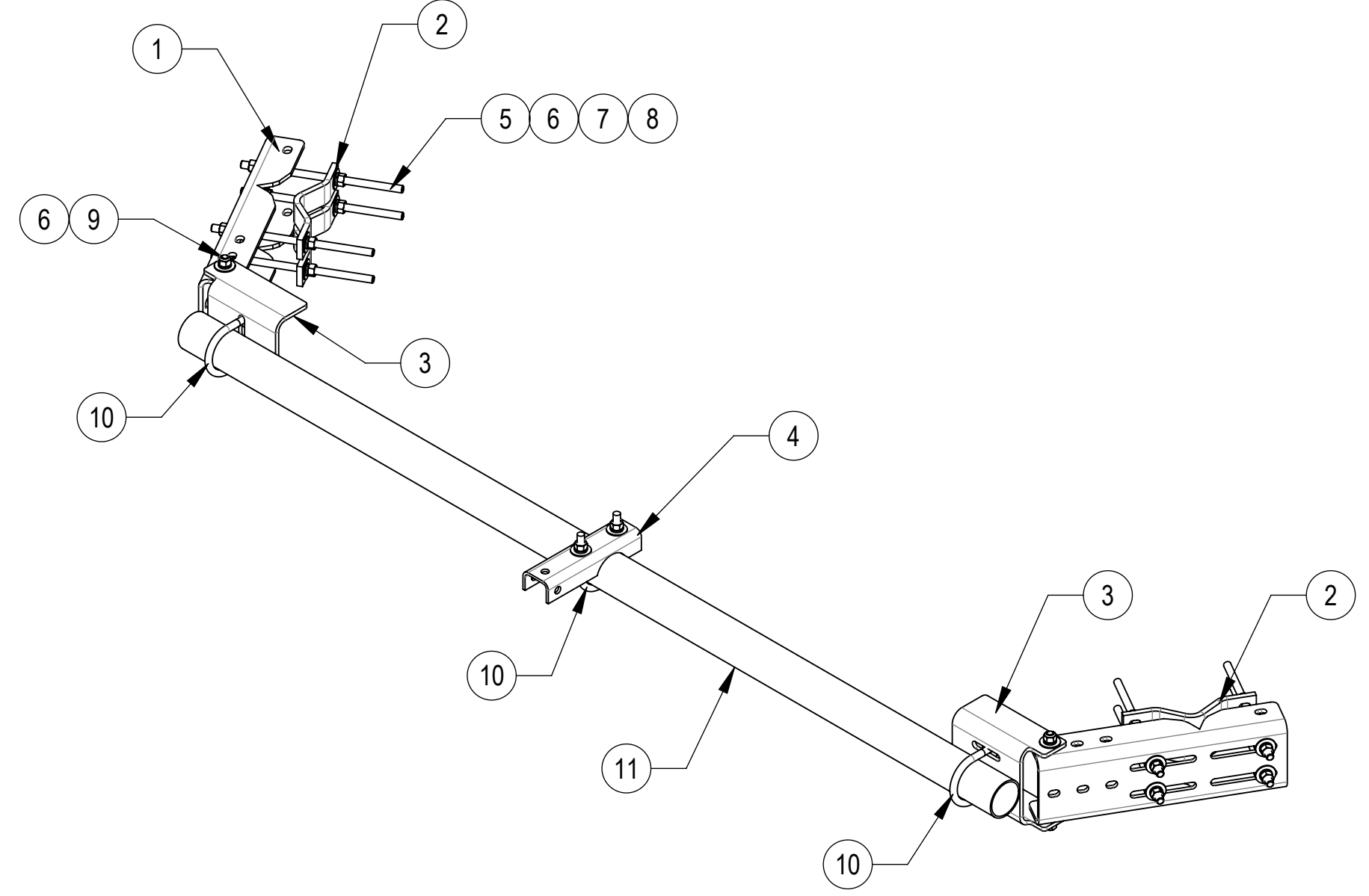
- 2.0 DESIGN NOTES
- 2.1 ANY HAZARDS OR OBSTRUCTIONS TO THE CLIMBING FACILITY AND SAFETY CLIMB MUST BE IDENTIFIED PRIOR TO INSTALLING THE APPURTENANCE. ADDITIONAL PRODUCTS MAY BE REQUIRED TO MAINTAIN THE INTEGRITY OF THE SAFETY CLIMB. DURING INSTALLATION, TEMPORARY AND/OR PERMANENT PRECAUTIONARY MEASURES SHOULD BE TAKEN TO PRESERVE THE CLIMBING FACILITY AND/OR SAFETY CLIMB.

- 3.0 MANUFACTURING/SPECIAL REQUIREMENTS
- 3.1 TIGHTEN ALL BOLTS SECURING FLAT PLATES BY THE TURN-OF-NUT METHOD. TIGHTEN ALL U-BOLTS USING TURN-OF-NUT METHOD WITH ATTENTION TO LEAVE EQUAL DISTANCE AND EQUAL FORCE ON EACH LEG OF THE U-BOLT.

- 4.0 TEST

- 5.0 PACKAGING
- 5.1 PACKAGING SHALL MEET COMMSCOPE REQUIREMENTS PER DOCUMENT IS-PL-3005.
- 5.2 PRINTED DOCUMENT TO BE PLACED INSIDE POLYBAG AND THEN IN SHIPPING CONTAINER.
- 5.3 EXTRA HARDWARE MAY BE SUPPLIED, BAGGED AND SHIPPED.

REVISIONS			
REV.	DESCRIPTION	DATE	APPROVED
A	INITIAL RELEASE	MSM 24APR10	TP
B	THREADED ROD WAS MT-381	MSM 13SEP12	TP
C	NO CHANGE, JUST CONVERT FROM SLP TO SWD	JL1183 07AUG24	YC1015 40201892CMO



COMPONENT PART NUMBERS PROVIDED FOR ASSEMBLY PURPOSES;
INDIVIDUAL COMPONENTS MAY BE SHIPPED AS PARTS WITHIN AN INCLUDED KIT.

ITEM	PART NO.	DESCRIPTION	QTY.	WEIGHT	NOTE NO.
1	MDCS01	UNIVERSAL LEG CHANNEL FOR MD-CS	2	25.05 LBS	
2	MCP10	2-1/2" O.D. TO 9" O.D. CLAMP HALF	4	3.36 LBS	
3	MTC987202	CHANNEL PIVOT BRACKET	2	12.43 LBS	
4	TFMSS35	STIFF-ARM STRUT SUPPORT, 3-1/2IN OD ARM	1	4.05 LBS	
5	MT-382-14	5/8" X 14" GALV THREADED ROD	8	1.21 LBS	
6	GWF-05	5/8" GALV FLAT WASHER, 1.7OD	32	0.06 LBS	
7	GWL-05	5/8" GALV LOCK WASHER	16	0.03 LBS	
8	GN-05	5/8" GALV HEX NUT	24	0.08 LBS	
9	GB-05205	5/8" X 2" GALV BOLT KIT	4	0.26 LBS	
10	GUB-53560	5/8" X 3-5/8" X 6" GALV U-BOLT	3	1.30 LBS	
11	MT54796	3.5" O.D. X 96" PIPE	1	48.54 LBS	

COMMSCOPE, INC. OF NORTH CAROLINA

TOLERANCES: 1 PLACE .X[X] ± 0.12[3.0] 3 PLACE .XXX[X] ± 0.03[0.8]
2 PLACE .XX[X] ± 0.06[1.5] ANGLES ± 2°

SAP MATERIAL MASTER
MD-CS-8R

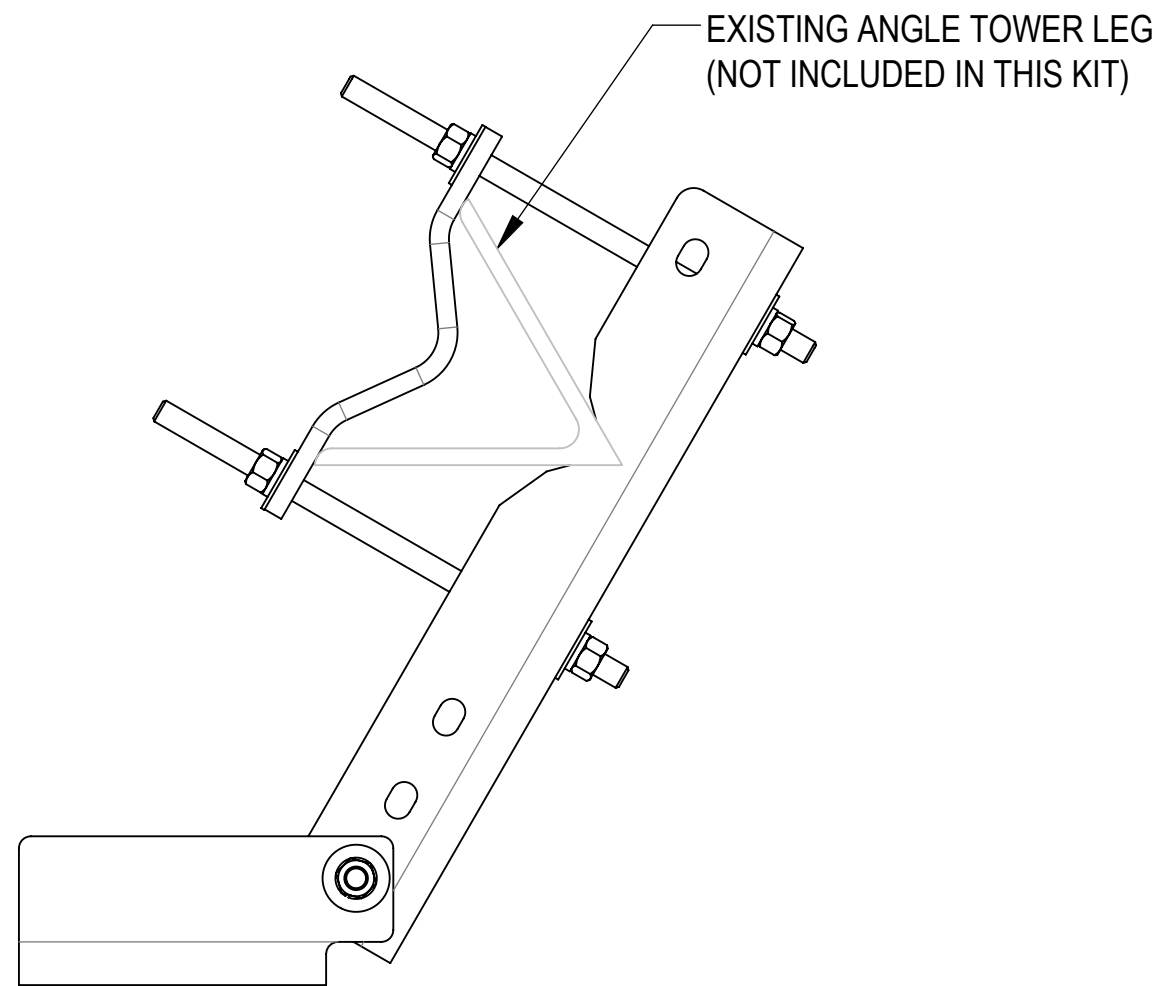
FINISH: _____ MATERIAL: _____

UNLESS OTHERWISE SPECIFIED DIMENSIONS ARE IN INCHES INTERPRET PER ANSI Y 14.5M-1994	NAME	DATE	TITLE
	CE JL1183	07AUG24	MICROWAVE DISCH CHANNEL SUPPORT, 8' RND
	RW YMENG	08/12/2024	
	AD YC1015	08/12/2024	
RE YMENG	08/12/2024		
ECN 40201892CMO			SCALE: 1:12
DOCUMENT NO. MD-CS-8R			

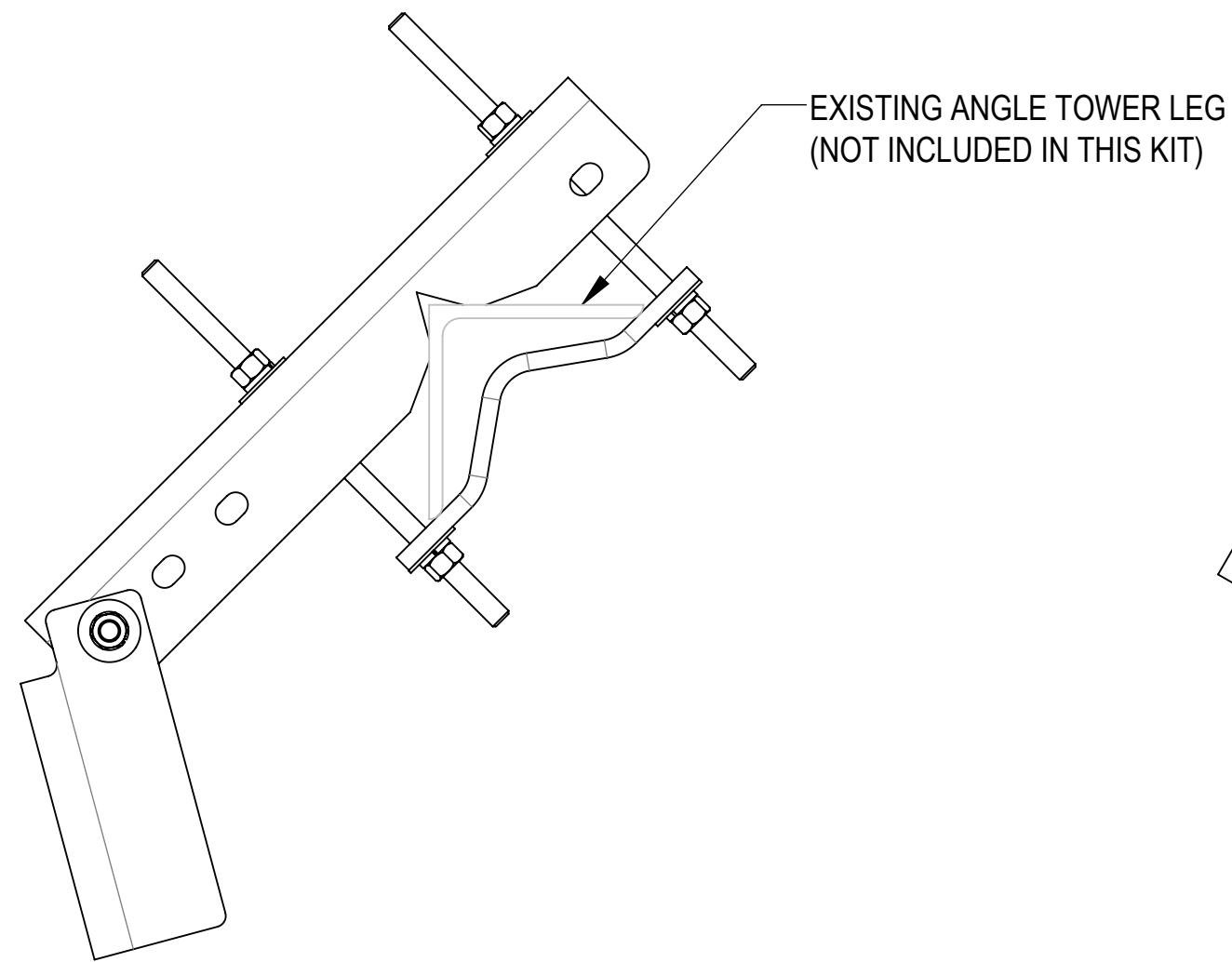
C	SIZE	Auth Group	INSL	MODEL			DRAWING			SHEET 1 OF 2
				VERSION	STATUS	REVISION	VERSION	STATUS	REVISION	
				01	RE	B	00	RE	C	

DENSITY	190.66	lbs/in ³
MASS	674.94	lbs
VOLUME	5265.71	in ³
SURFACE AREA		in ²
HEIGHT	26.5"	
LENGTH	123.5"	
WIDTH	7.9"	

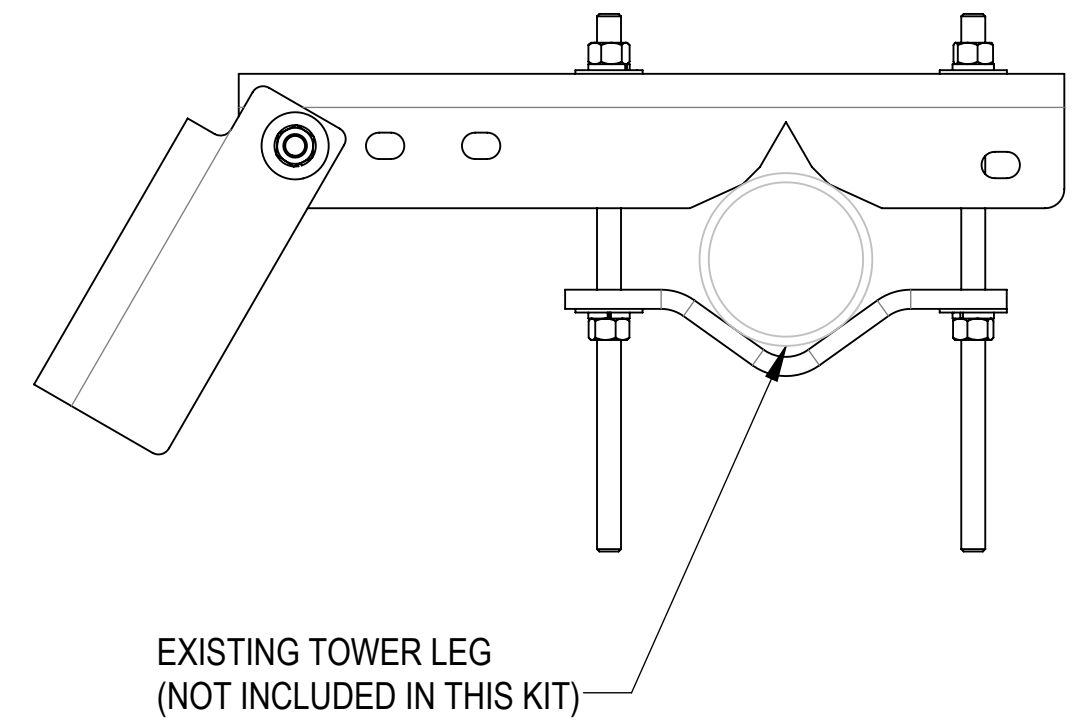
OPTIONAL MOUNTING



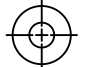
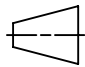
60° TOWER LEGS UP TO 8" X 8" ANGLE



90° TOWER LEGS UP TO 6" X 6" ANGLE



ROUND TOWER LEGS UP TO ϕ 8" OD

COMMSCOPE, INC. OF NORTH CAROLINA					
TITLE MICROWAVE DISCH CHANNEL SUPPORT, 8' RND					
SIZE C	SCALE 1:20	DOCUMENT NO. MD-CS-8R			
 		DRAWING			SHEET 2 OF 2
		VERSION 00	STATUS RE	REVISION C	