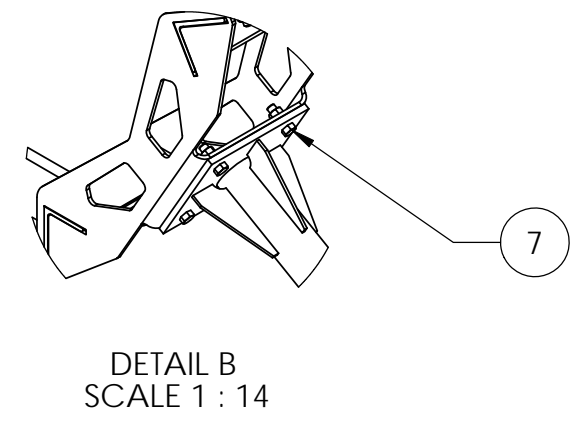
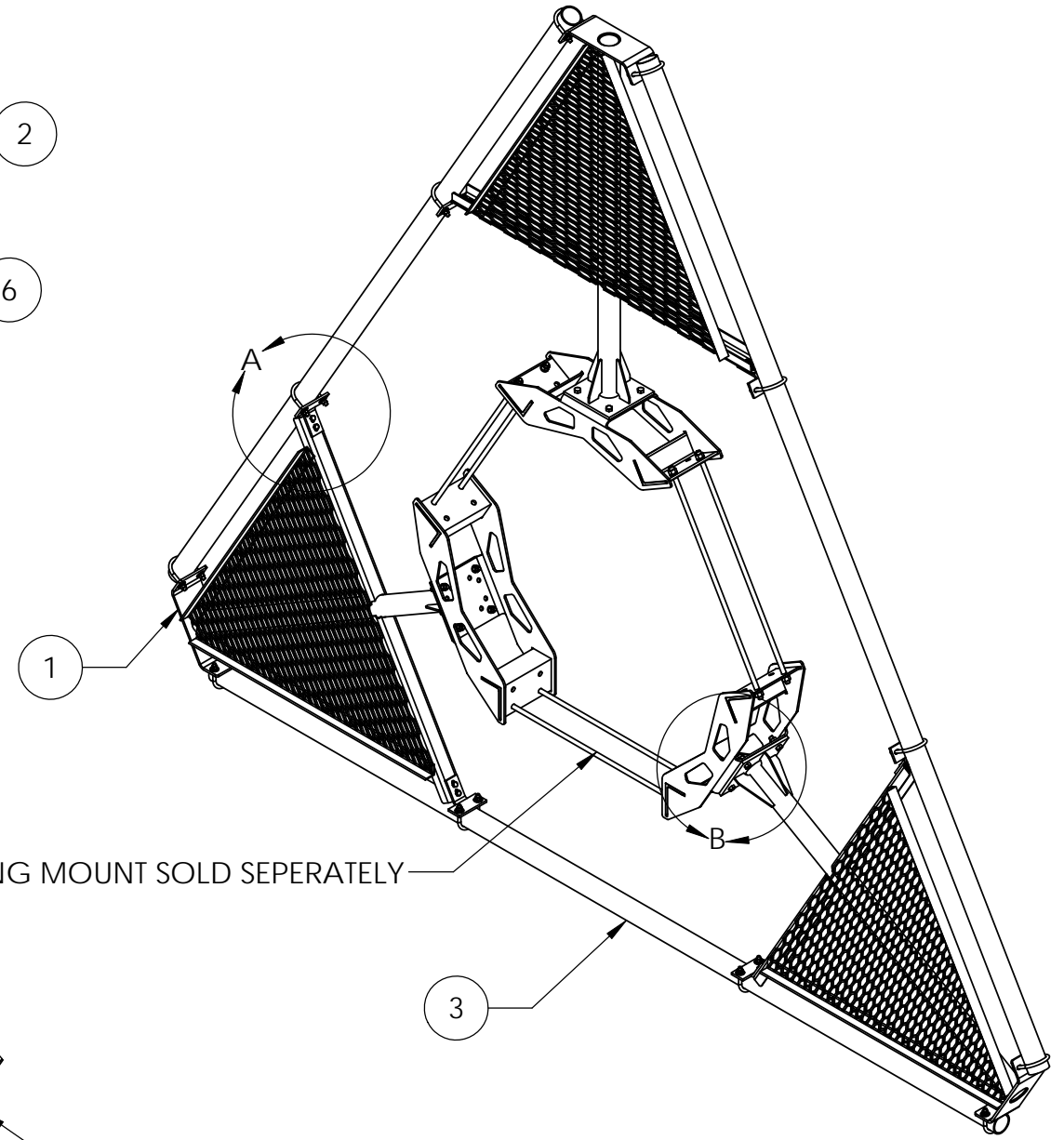
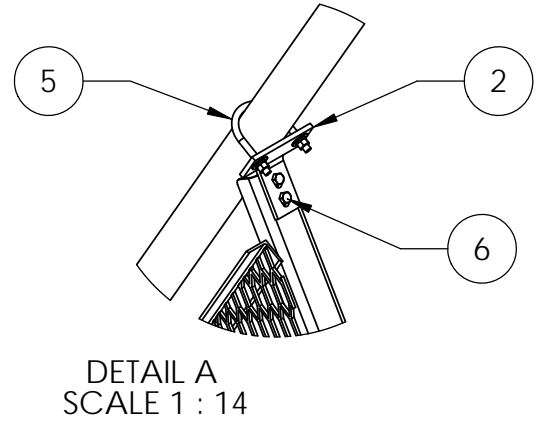
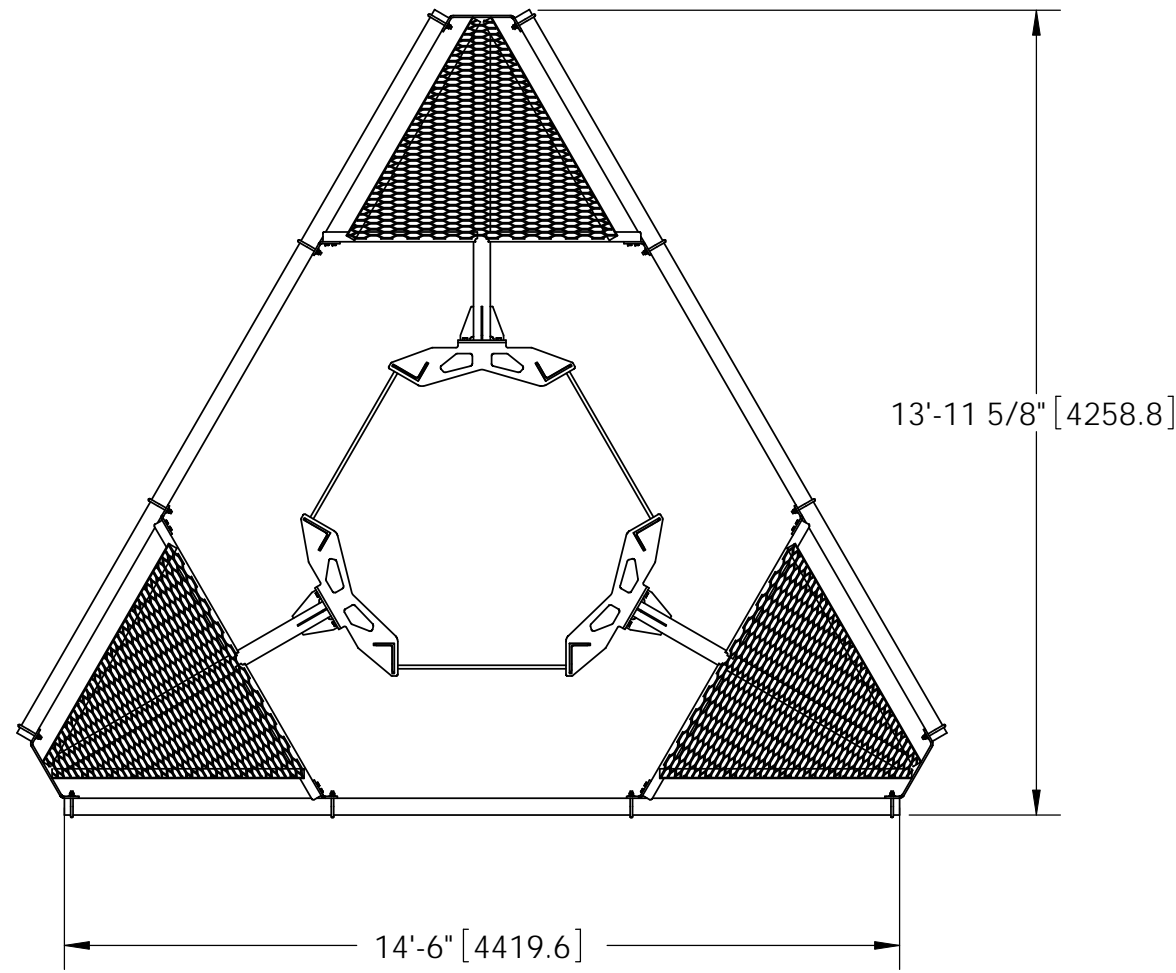



ITEM	PART NO.	DESCRIPTION	QTY.	WEIGHT
1	MT196.01	Low Profile Co-Location Platform 12'-6"	3	140.53 LBS
2	MT196.17	MT196 Pipe Mount Plate	6	2.49 LBS
3	MT-547-174	3½" O.D. X 14'-6" GALV. PIPE	3	109.73 LBS
4	MT196H	HARDWARE KIT (ITEM 5 - 7)	1	
5	GUB-4355	1/2" X 3-5/8" X 5" GALV U-BOLT KIT	12	0.71 LBS
6	GB-04125	1/2" X 1-1/4" GALV BOLT KIT	12	0.12 LBS
7	GB-0520A	5/8" X 2" GALV BOLT KIT (A325)	12	0.27 LBS

REVISIONS				
REV.	ZONE	DESCRIPTION	BY	DATE
B		UPDATE	DI	3/7/05
C		REDESIGN OF ASSEMBLY	MSM	3/13/08
D		CHANGE ITEM #7	MSM	5/8/08
E		REVISED MT196.01 WELDMENT	DRR	02/24/12



- NOTES:
- ALL METRIC DIMENSIONS ARE IN BRACKETS.
 - STAMP PART IDENTIFICATION NUMBER.
 - WELDING WORKMANSHIP PER AWS D1.1, TABLE 6.1.

<small>These drawings and specifications are the proprietary property of ANDREW CORPORATION and may be used only for the specific purpose authorized in writing by Andrew Corporation.</small> ALL DIMENSIONS ARE IN INCHES U.O.S. TOLERANCES UNLESS OTHERWISE SPECIFIED: .X = ± .12 ANGLES ±2° .XX = ± .06 FRACTIONS ±1/32 .XXX = ± .03 REMOVE BURRS AND BREAK EDGES .005 DO NOT SCALE THIS PRINT	DRAWN BY: MSM	SHEET: 1 of 1	PART NUMBER: MT-196-14L
	CHECKED BY: TP	SCALE: NTS	DESCRIPTION: LOW PROFILE CO-LOCATION PLATFORM KIT
	DATE: 03/13/08	MATERIAL: A36, A500	DRAWING TYPE: ASSEMBLY DRAWING
	REVISION: E	FINISH: GALV A123 WEIGHT: 1005.47 LBS	 WESTCHESTER, IL. 60154 U.S.A.