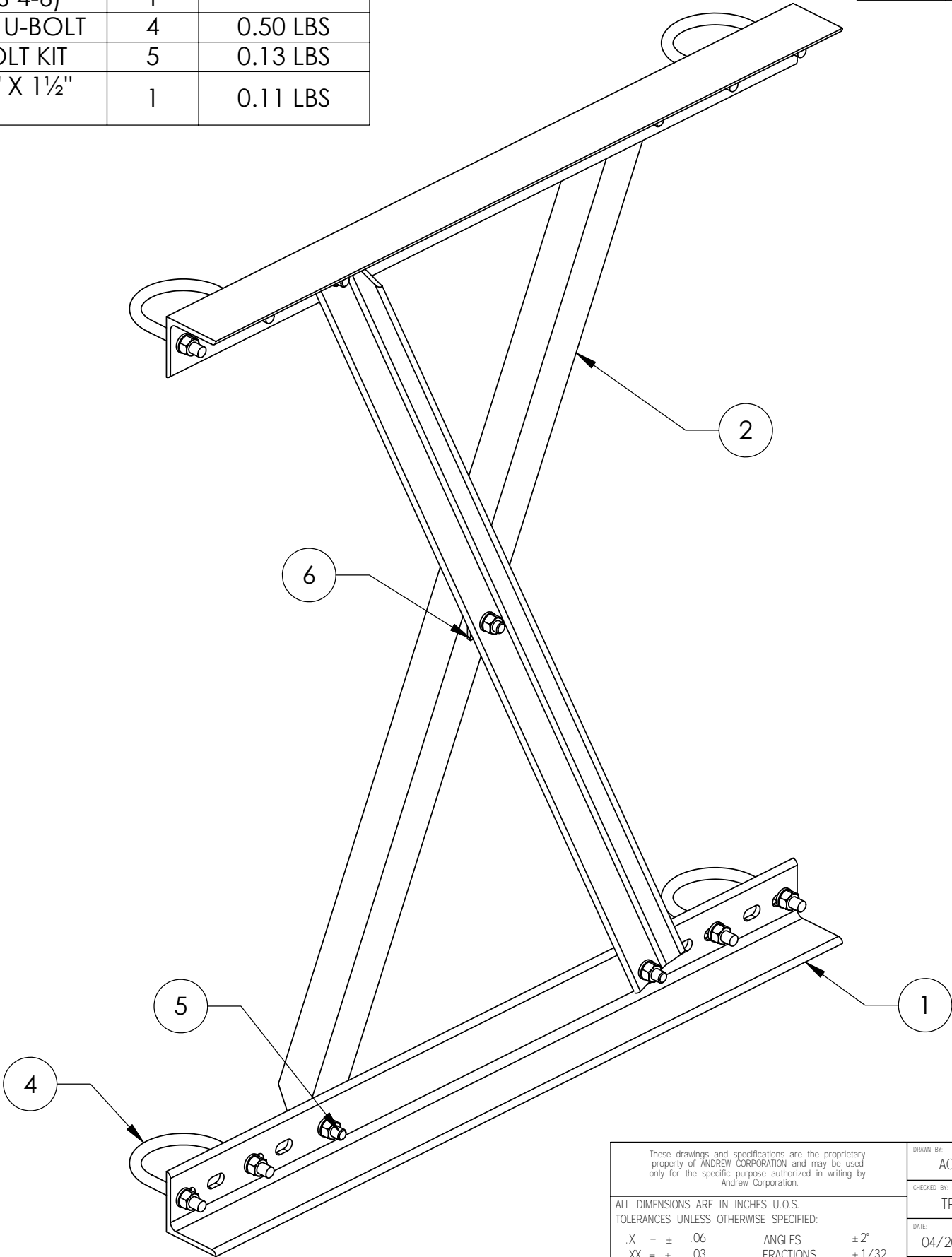



ITEM	PART NO.	DESCRIPTION	QTY.	WEIGHT
1	MT353.01	X-BRACING HORIZONTAL	2	15.02 LBS
2	MT353.02	X-BRACING	2	9.36 LBS
3	MT353H	HARDWARE KIT (ITEMS 4-6)	1	
4	GUB-4355	1/2" X 3-5/8" X 5" GALV U-BOLT	4	0.50 LBS
5	GB-04145	1/2" X 1-1/2" GALV BOLT KIT	5	0.13 LBS
6	MT-388	SQUARE WASHER, 1 1/2" X 1 1/2" W/ 9/16" HOLE	1	0.11 LBS

REVISIONS				
REV.	ZONE	DESCRIPTION	BY	DATE
A		INITIAL RELEASE	WLJ	07/28/98
B		REDRAWN & REVISED	MRK	09/02/99
C		REDRAWN & REVISED	DMW	05/03/01



<p>These drawings and specifications are the proprietary property of ANDREW CORPORATION and may be used only for the specific purpose authorized in writing by Andrew Corporation.</p> <p>ALL DIMENSIONS ARE IN INCHES U.O.S. TOLERANCES UNLESS OTHERWISE SPECIFIED:</p> <p>.X = ± .06 ANGLES ±2° .XX = ± .03 FRACTIONS ±1/32 .XXX = ± .010</p> <p>REMOVE BURRS AND BREAK EDGES .005</p> <p>DO NOT SCALE THIS PRINT</p>	DRAWN BY: ACG	SHEET: 1 of 1	PART NUMBER: MT-353
	CHECKED BY: TP	SCALE: NTS	DESCRIPTION: X- BRACING KIT
	DATE: 04/20/06	MATERIAL: A36	DRAWING TYPE: ASSEMBLY DRAWING
	REVISION: C	FINISH: GALV A123	
	WEIGHT: 53.13 LBS	ORLAND PARK, IL. 60462 U.S.A.	