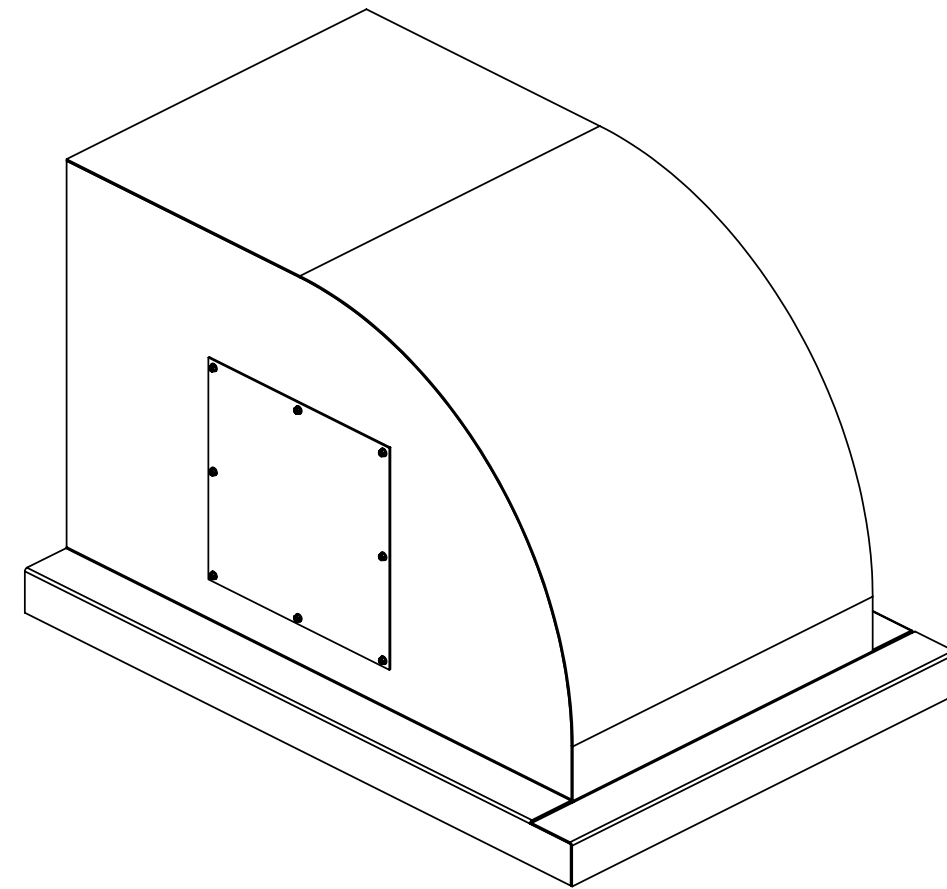
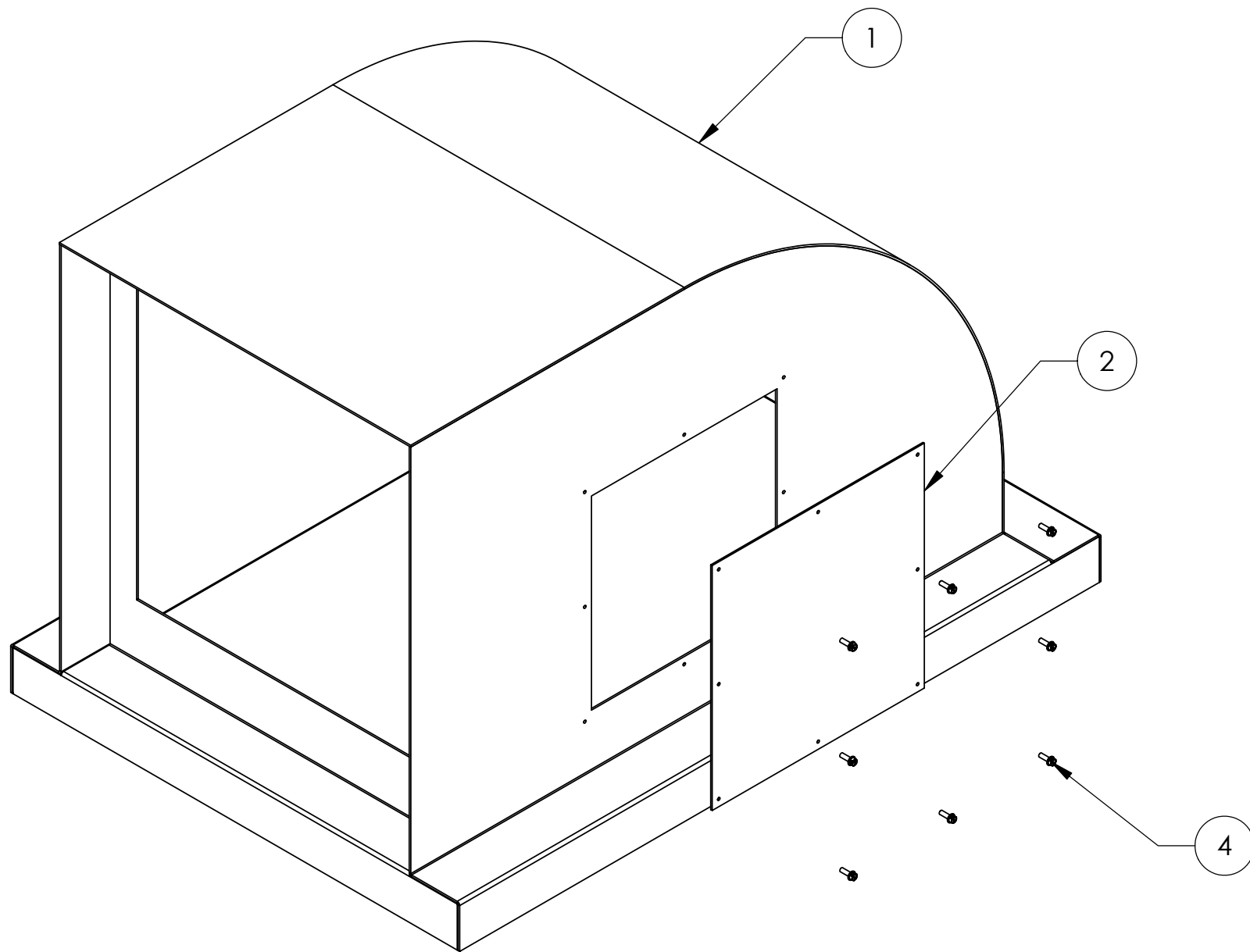


ITEM NO.	PART NUMBER	DESCRIPTION	QTY.	WEIGHT
1	MT365G.01WELD	GALV HOOD TOP ENTRY WELDMENT	1	168.92 LBS
2	MT365G.02	GALV ENTRY PANEL	1	7.54 LBS
3	MT365G-H	HARDWARE KIT CONTAINS ITEM#4	1	
4	SS-C1406	3/4" X 3/4" #14 HEX TEK W/NEO	28	0.01 LBS

REVISIONS				
REV.	ZONE	DESCRIPTION	BY	DATE
C		REVISED AND REDRAWN	JTS	08/31/00
D		ADDED HARDWARE KIT	BNN	03/22/01
E		REDRAWN IN S.W.	AW	10/31/06



<p>These drawings and specifications are the proprietary property of ANDREW CORPORATION and may be used only for the specific purpose authorized in writing by Andrew Corporation.</p> <p>ALL DIMENSIONS ARE IN INCHES U.O.S. TOLERANCES UNLESS OTHERWISE SPECIFIED:</p> <p>.X = ± .06 ANGLES ± 2° .XX = ± .03 FRACTIONS ± 1/32 .XXX = ± .010</p> <p>REMOVE BURRS AND BREAK EDGES .005</p> <p>DO NOT SCALE THIS PRINT</p>	DRAWN BY: AW	SHEET: 1 of 1	PART NUMBER: MT-365G
	CHECKED BY: TP	SCALE: NTS	DESCRIPTION: GALV, HOOD TOP ENTRY
	DATE: 10/31/06	MATERIAL: A36	DRAWING TYPE: ASSEMBLY DRAWING
	REVISION: E	FINISH: GALV A123	WEIGHT: 176.47 LBS