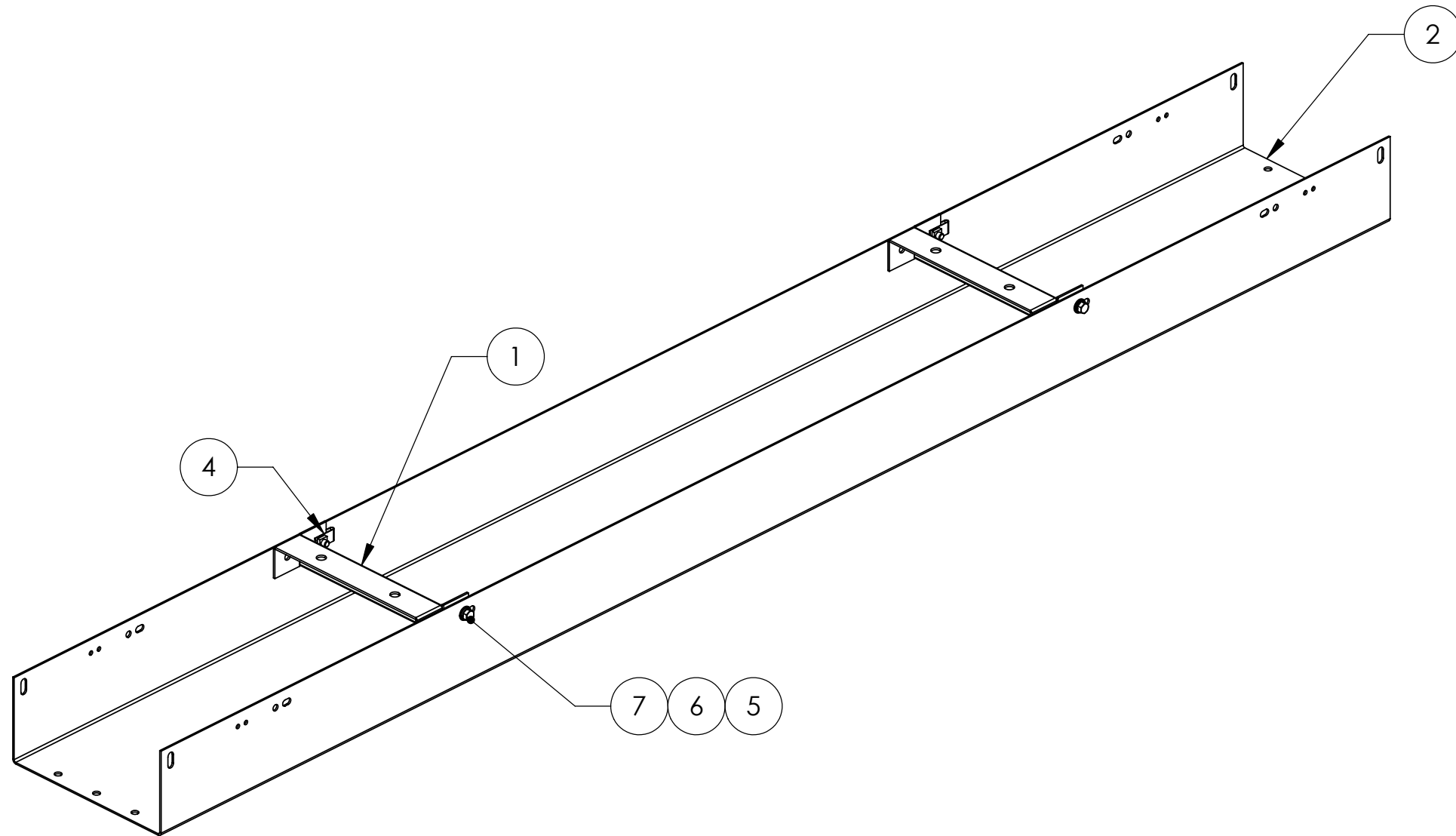


ITEM NO.	PART NUMBER	DESCRIPTION	QTY.	WEIGHT
1	MTF1586	WALL MOUNT BRACKET (4-RUNS OF COAX)	2	2.59 LBS
2	MTF1589.01	WALL COAX COVER FOR 4-RUNS	1	62.43 LBS
3	MT-F1589-H	HARDWARE KIT (ITEMS 4-7)	1	
4	MTF1591.05	NUT 3/8" GALV. "J" RETAINER	4	0.03 LBS
5	SWF.03	3/8" S.S. FLAT WASHER	4	0.01 LBS
6	SWL.03	3/8" S.S. LOCK WASHER	4	0.01 LBS
7	SB-0310	3/8" X 1" S.S. BOLT	4	0.05 LBS

REVISIONS				
REV.	ZONE	DESCRIPTION	BY	DATE
D		REDRAWN IN SOLIDWORKS	AW	09/07/06



<p>These drawings and specifications are the proprietary property of ANDREW CORPORATION and may be used only for the specific purpose authorized in writing by Andrew Corporation.</p> <p>ALL DIMENSIONS ARE IN INCHES U.O.S. TOLERANCES UNLESS OTHERWISE SPECIFIED:</p> <p>.X = ± .06 ANGLES ± 2° .XX = ± .03 FRACTIONS ± 1/32 .XXX = ± .010</p> <p>REMOVE BURRS AND BREAK EDGES .005</p> <p>DO NOT SCALE THIS PRINT</p>	DRAWN BY: AW	SHEET: 1 of 1	PART NUMBER: MT-FI589
	CHECKED BY: TP	SCALE: NTS	DESCRIPTION: COAX WALL SUPPORT KIT, 4 RUN COAX
	DATE: 09/07/06	MATERIAL: A36	DRAWING TYPE: ASSEMBLY DRAWING
	REVISION: D	FINISH: GALV A123	WEIGHT: 67.77 LBS