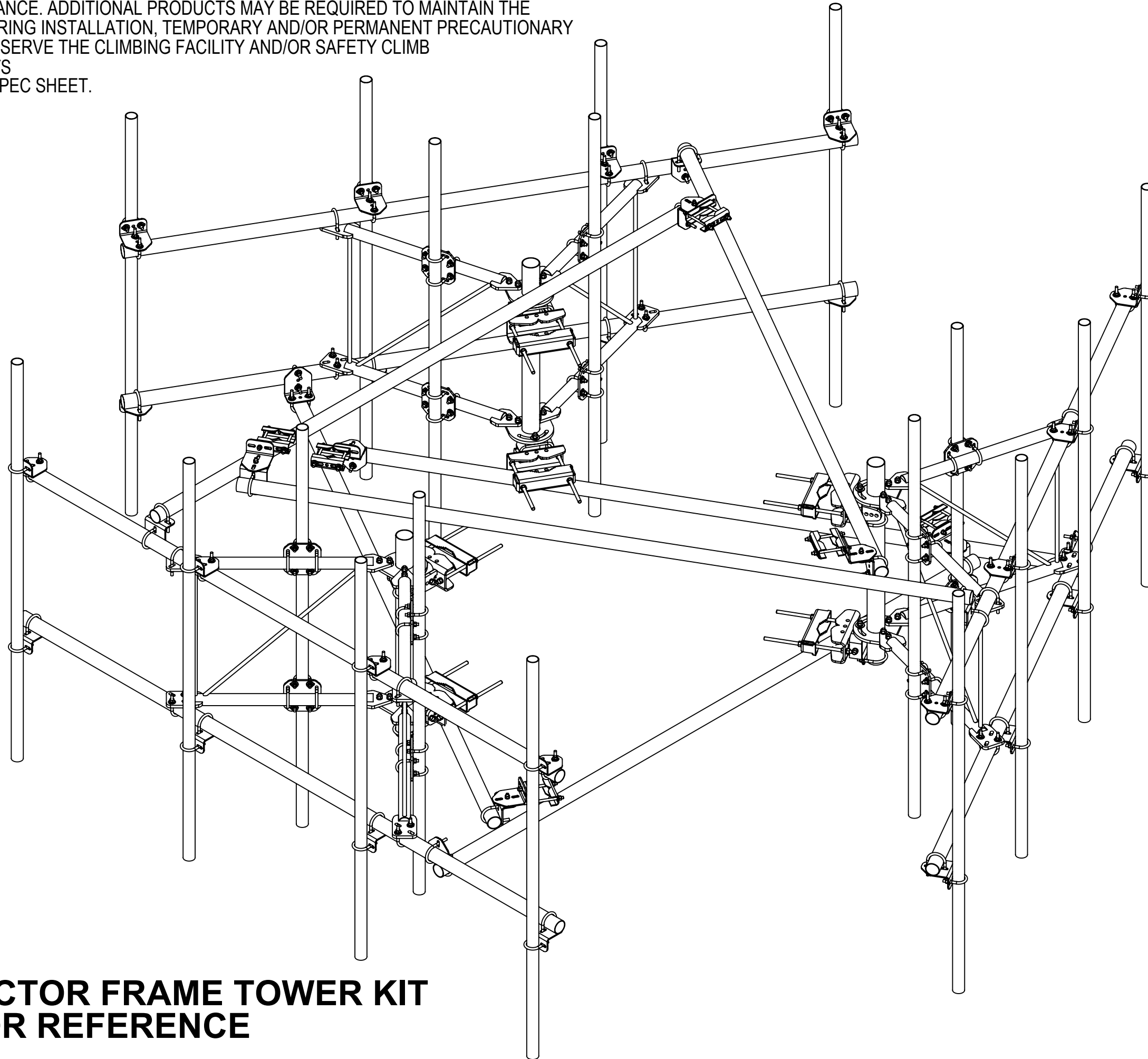


NOTES:

- 1.0 GENERAL
 - 1.1 ALL METRIC DIMENSIONS ARE IN BRACKETS
 - 1.2 FOR PATENT INFO: [HTTPS://WWW.COMMSCOPE.COM/PRODUCTPATENT/PRODUCTPATENT.ASPX](https://www.commscope.com/productpatent/productpatent.aspx)
- 2.0 DESIGN NOTES
 - 2.1 ANY HAZARDS OR OBSTRUCTIONS TO THE CLIMBING FACILITY AND SAFETY CLIMB MUST BE IDENTIFIED PRIOR TO INSTALLING THE APPURTENANCE. ADDITIONAL PRODUCTS MAY BE REQUIRED TO MAINTAIN THE INTEGRITY OF THE SAFETY CLIMB. DURING INSTALLATION, TEMPORARY AND/OR PERMANENT PRECAUTIONARY MEASURES SHOULD BE TAKEN TO PRESERVE THE CLIMBING FACILITY AND/OR SAFETY CLIMB
- 3.0 MANUFACTURING/SPECIAL REQUIRMENTS
 - 3.1 FOR LOADING SEE ENGINEERING SPEC SHEET.
- 4.0 TEST
- 5.0 PACKAGING

REVISIONS				
REV.	ECN	DESCRIPTION	BY	DATE
A	8000008462	INITIAL RELEASE	RJC	06/05/15
B	8000012212	REDESIGN OF SECTOR FRAM ARM WELDMENT	DRR	01/22/16
C	8000019221	ADDED DIAGONALS TO ARM WELDMENTS, ADD HK	DRR	01/18/17
D	8000020154	UPDATED H/W KIT FOR TIEBACKS	DRR	02/13/17
E	8000020628	UPDATED HARDWARE KIT	MRC	03/01/17
F	8000022494	CHANGED QUANTITY OF HARDWARE KIT	DRR	04/27/17
G	8000024655	ADJUSTED WEIGHT OF MCG23PK AND TOTALS	DRR	07/11/17
H	8000034255	CHG ARMS & PIPE; ADDED THE HD & HDX VERISION	RJC	03/29/19



MTC3752T3 SFG 3 SECTOR FRAME TOWER KIT SHOWN FOR REFERENCE

PATENT PENDING

TOP LEVEL ZNSK COMPONENTS

PART NO.	DESCRIPTION	PACK KIT	PIPE BUNDLE	WEIGHT (LBS)
MTC3752T3	SFG 3 SECTOR FRAME TOWER KIT	MTC3752T3PK	PB1808A1212B	1783
MTC3752T3HD	SFG 3 SECTOR FRAME TOWER KIT - HD	MTC3752T3PK	PB1808A0612B0612K	1954
MTC3752T3HDX	SFG 3 SECTOR FRAME TOWER KIT - HDX	MTC3752T3HDXPK	PB0608A1208B1212K	2015

PACK KIT COMPONENTS

PACK KIT	SADDLE MOUNT	CROSSOVER KIT	HARDWARE KIT
MTC3752T3PK	SM-U2080HDT (QTY 3)	XA20304 (QTY 3)	MTC3752T3HK1 (QTY 3)
MTC3752T3HDXPK	SM-U2080HDT (QTY 3)	XA30304 (QTY 3)	MTC3752T3HK1 (QTY 3)

PIPE BUNDLE TABLE

PART NO.	FACE PIPE	ANTENNA PIPE	TIEBACK PIPE	RADIO MTG PIPE
PB1808A1212B	MT546150120	MT-651-96	MT546150120	MT-651-96
PB1808A0612B0612K	MT-546-150	MT-651-96	MT546150120	MT-651-96
PB0608A1208B1212K	MT-546-150	MT54696120	MT-546-150	MT-651-96

DENSITY	lbs/in ³
MASS	lbs
VOLUME	in ³
SURFACE AREA	in ²
HEIGHT	
LENGTH	
WIDTH	

COMMSCOPE, INC. OF NORTH CAROLINA			
TOLERANCES		SAP MATERIAL MASTER	
1 PLACE .X ± 0.25	3 PLACE .XXX ± 0.06	SEE TABLE	
2 PLACE .XX ± 0.12	ANGLES ± 2°		
FINISH GALV A123		MATERIAL A500, A529, A572, A1011/A1018	
UNLESS OTHERWISE SPECIFIED DIMENSIONS ARE IN INCHES INTERPRET PER ANSI Y 14.5M-1994	NAME	DATE	TITLE
	CE RJC	01/11/19	SFG 3 SECTOR FRAME TOWER KIT
	RW BCAMPBELLCON	03/29/2019	
	RV		
	AD RD1048	03/29/2019	SCALE
RE RD1048	03/29/2019	1:20	MTC3752T3
ECN 008000034255	SIZE	WORK AREA 24	MODEL
C	VERSION	STATUS	REVISION
	02	RE	J
	DRAWING		
	VERSION	STATUS	REVISION
	06	RE	H
	SHEET		
	1 OF 8		

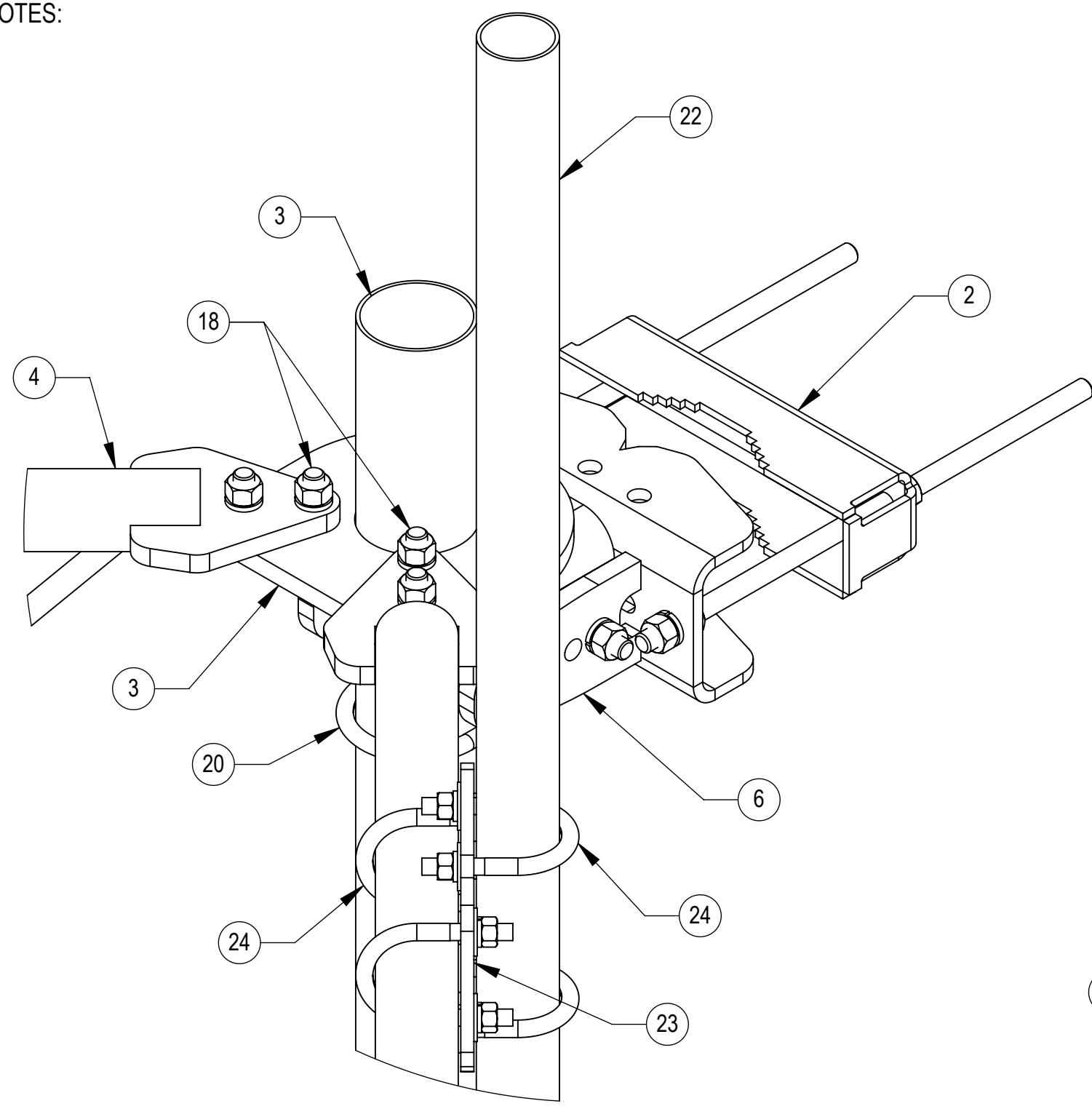
4

3

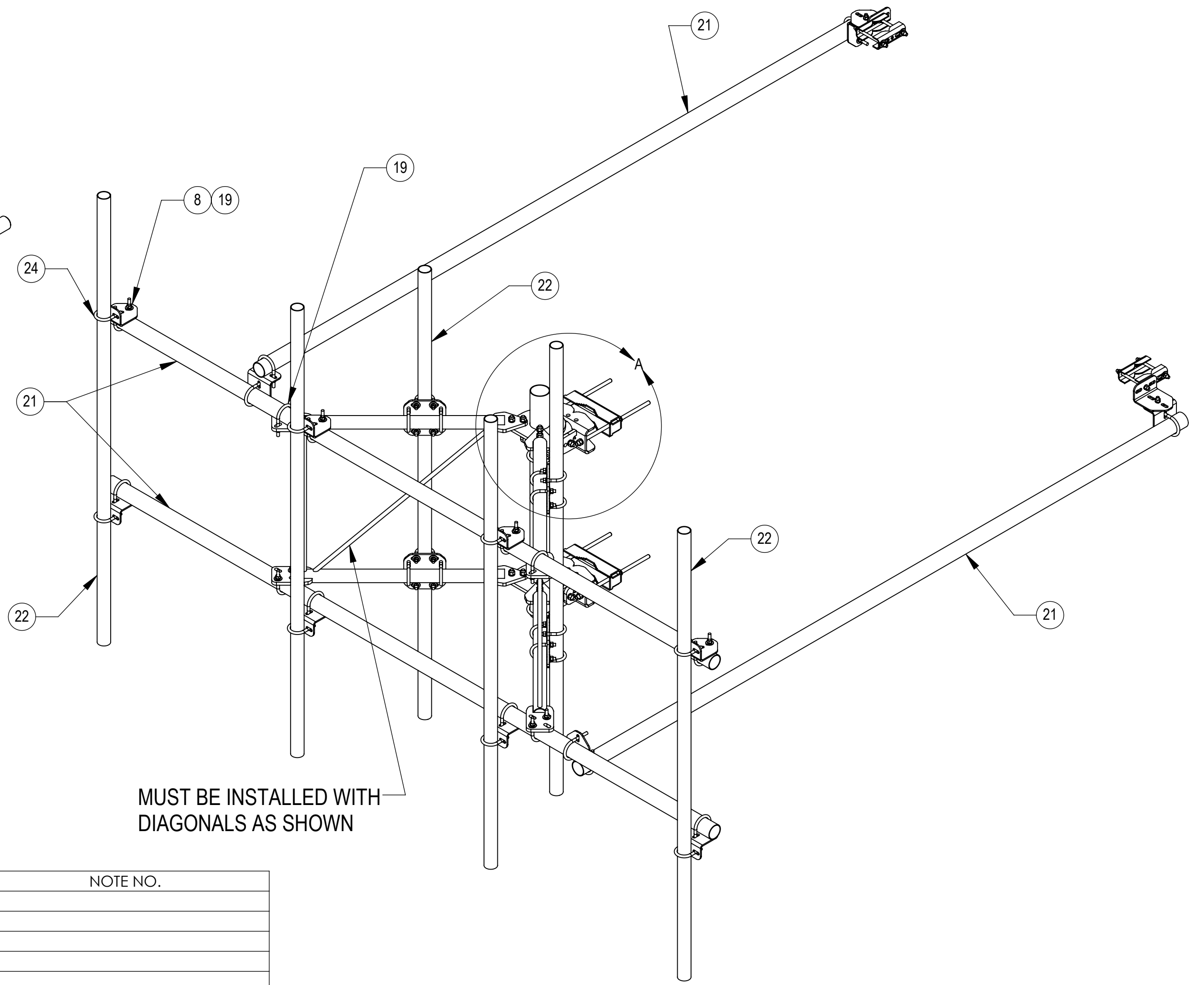
2

1

NOTES:



DETAIL A
SCALE 1 : 4



MUST BE INSTALLED WITH
DIAGONALS AS SHOWN

SINGLE SECTOR FRAME MTC3752T3 SHOWN FOR REFERENCE

PATENT PENDING

ITEM	PART NO.	DESCRIPTION	QTY.	WEIGHT	NOTE NO.
1	SFG2237	WELDMENT, AZIMUTH/TAPER BRACKET	6	6.46 LBS	
2	SFG2283	BACK TOWER LEG CLAMP	6	6.64 LBS	
3	SFG2270	BACK VERTICAL ARM MOUNT	3	36.90 LBS	
4	SFG2278	ARM, STANDOFF - SFG22	6	40.92 LBS	
5	SFG2343	WELDMENT, LOWER, TOWER LEG BRACKET	3	14.37 LBS	
6	SFG2345	WELDMENT, TOP TAPER BRACKET	3	18.27 LBS	
7	SAB01	FORMED CLAMP	12	1.35 LBS	
8	XAU01	ANGLE, CROSSOVER, 1.9-3.5" X 1.9-3.5" OD	42	2.98 LBS	
9	MT-379-8	1/2" X 8" GALV THREADED ROD	12	0.45 LBS	
10	GN-04	1/2" GALV HEX NUT	30	0.04 LBS	
11	GWL-04	1/2" GALV LOCK WASHER	30	0.01 LBS	
12	GWF-04	1/2" GALV FLAT WASHER	24	0.03 LBS	
13	GB-04145	1/2" X 1-1/2" GALV BOLT KIT	6	0.13 LBS	
14	MT-382-18	5/8" X 18" GALV THREADED ROD	12	1.55 LBS	
15	GN-05	5/8" GALV HEX NUT	36	0.08 LBS	
16	GWL-05	5/8" GALV LOCK WASHER	24	0.03 LBS	
17	GWF-05	5/8" GALV FLAT WASHER	6	0.06 LBS	
18	GB-05225	5/8" X 2-1/4" GALV BOLT KIT	42	0.28 LBS	
19	GUB-4352	1/2" X 3" X 5-1/4" GALV U-BOLT	54	0.71 LBS	FOR MTC3752T3HDX QTY IS 78
20	GUB-4355	1/2" X 3-5/8" X 5" GALV U-BOLT	6	0.71 LBS	
21	MT546150120	Ø 2.875" X 150" LG PIPE	12	44.29 LBS	SEE SHEET 1 PIPE BUNDLE TABLE
22	MT-651-96	Ø 2.375" OD X 96" PIPE	18	23.05 LBS	SEE SHEET 1 PIPE BUNDLE TABLE
23	XPU01	PLATE, CROSSOVER, 1.9-3.5" X 1.9-3.5" OD	12	4.76 LBS	
24	GUB-4240	1/2" X 2-1/2" X 4" GALV U-BOLT	72	0.56 LBS	FOR MTC3752T3HDX QTY IS 48

COMMSCOPE, INC. OF NORTH CAROLINA				
TITLE SFG 3 SECTOR FRAME TOWER KIT				
SIZE C	SCALE 1:16	DOCUMENT NO. MTC3752T3		
DRAWING		VERSION	STATUS	REVISION
		06	RE	H
				SHEET 2 OF 8

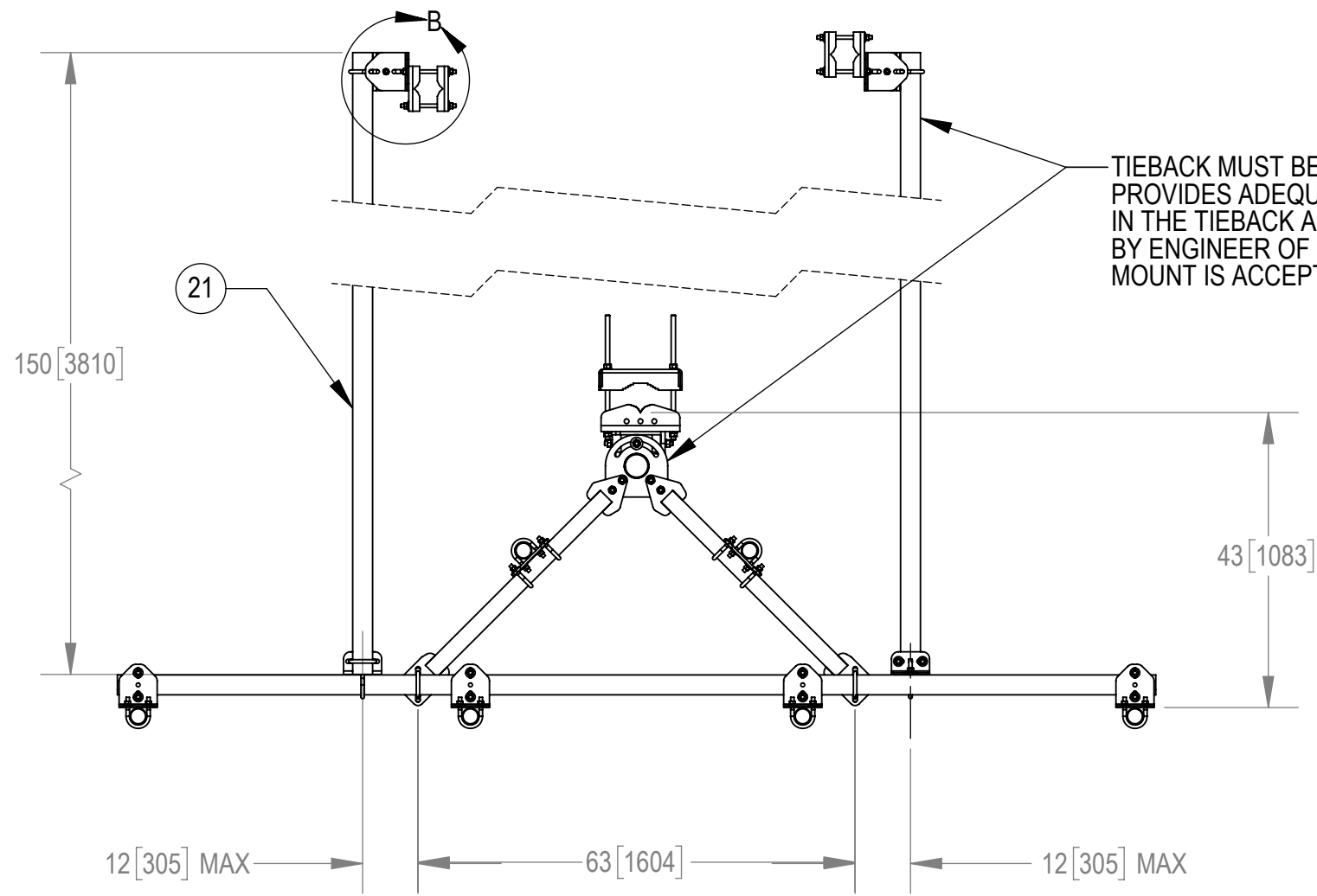
4

3

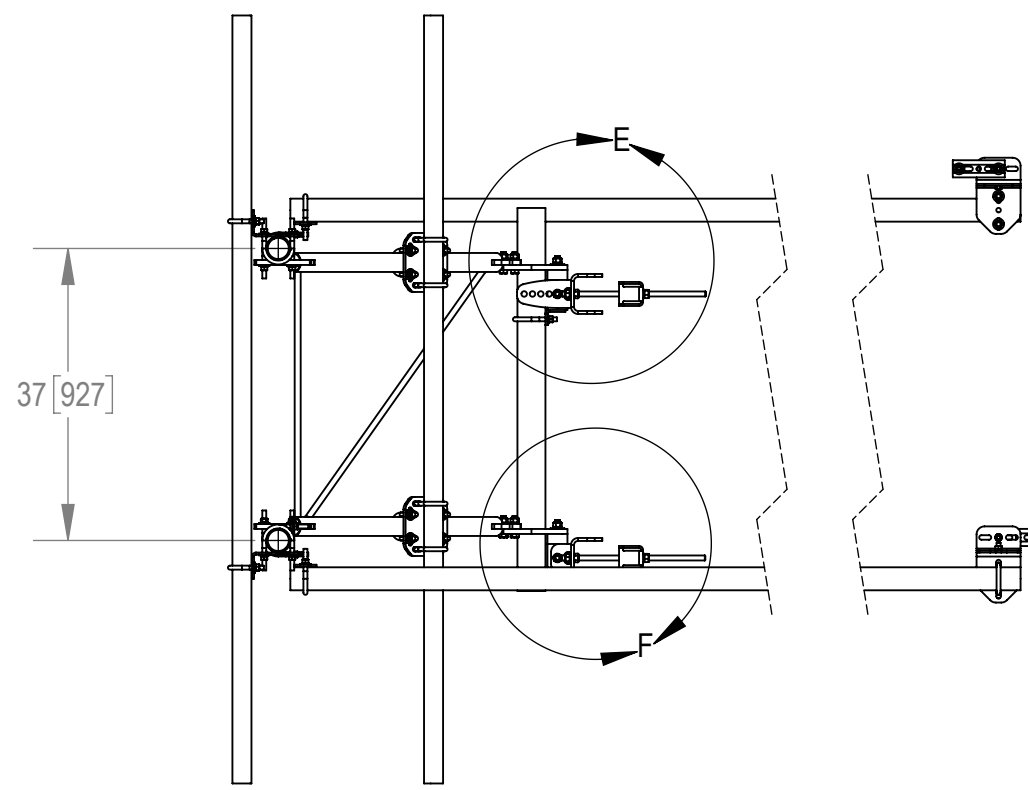
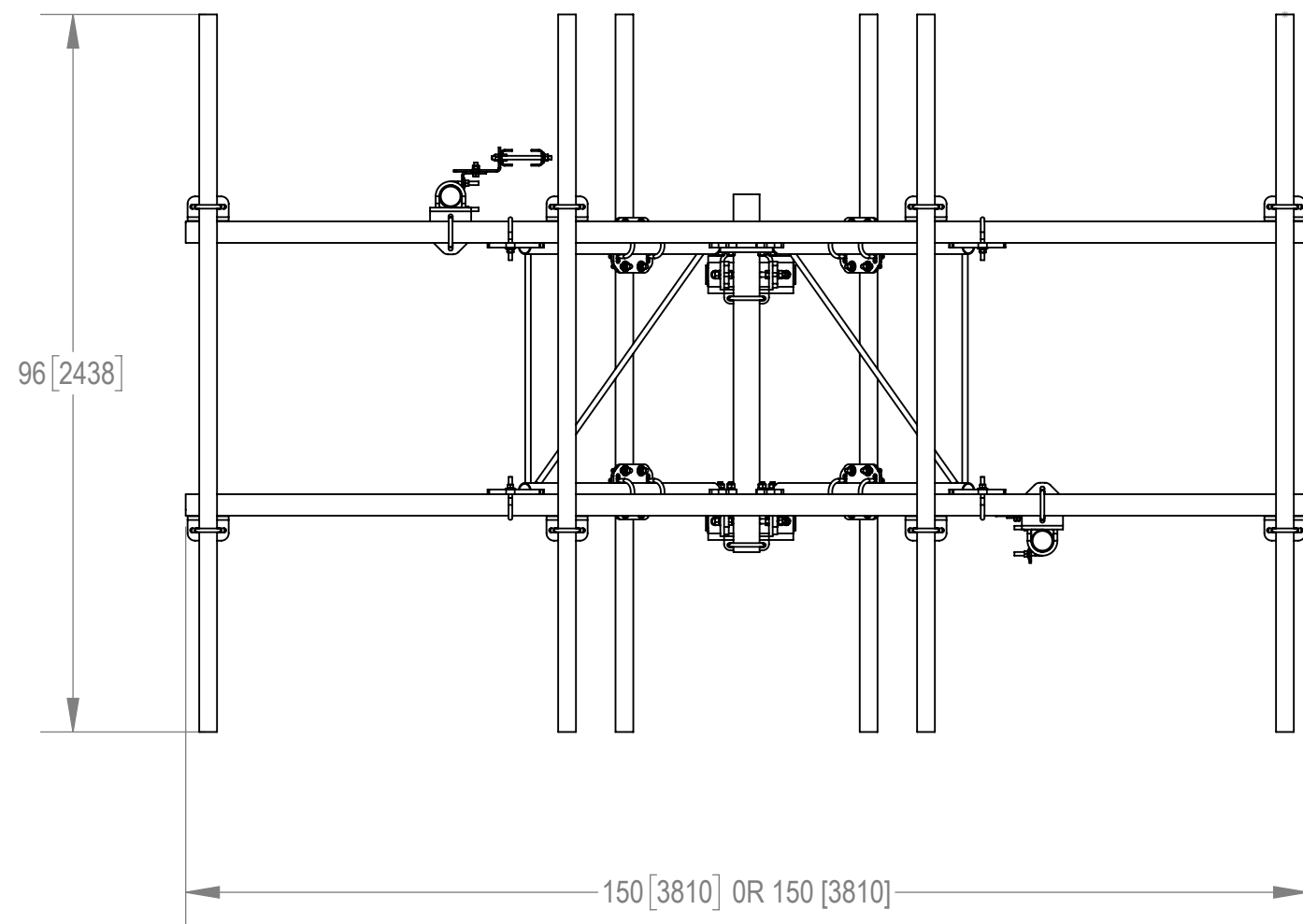
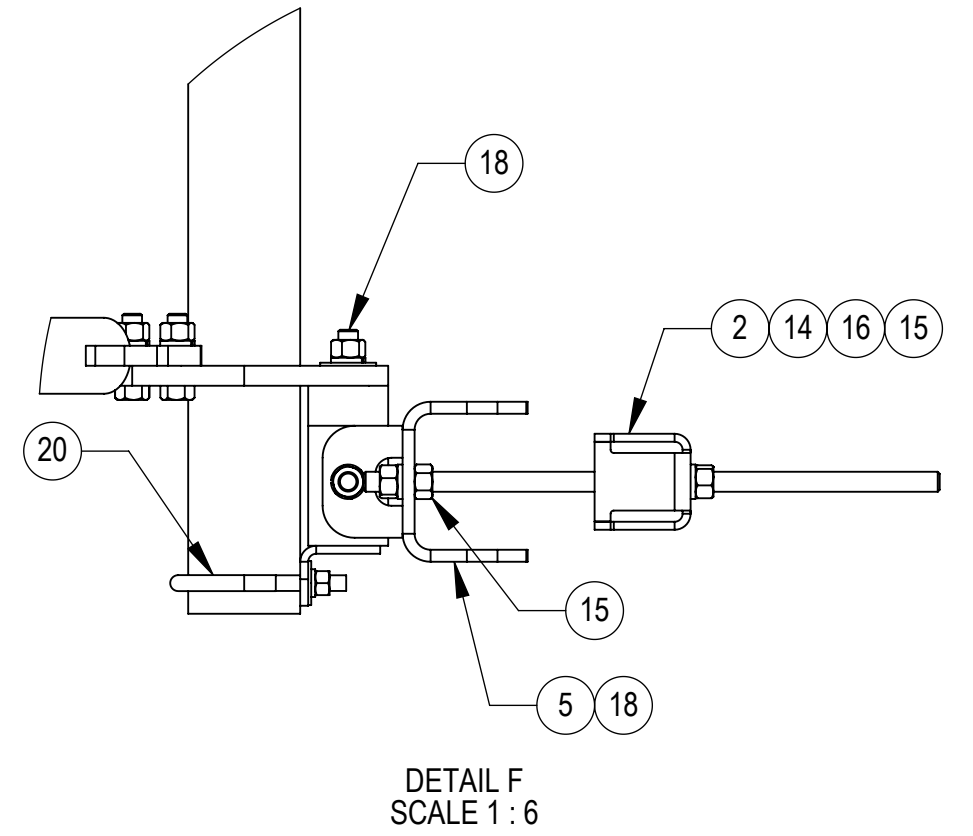
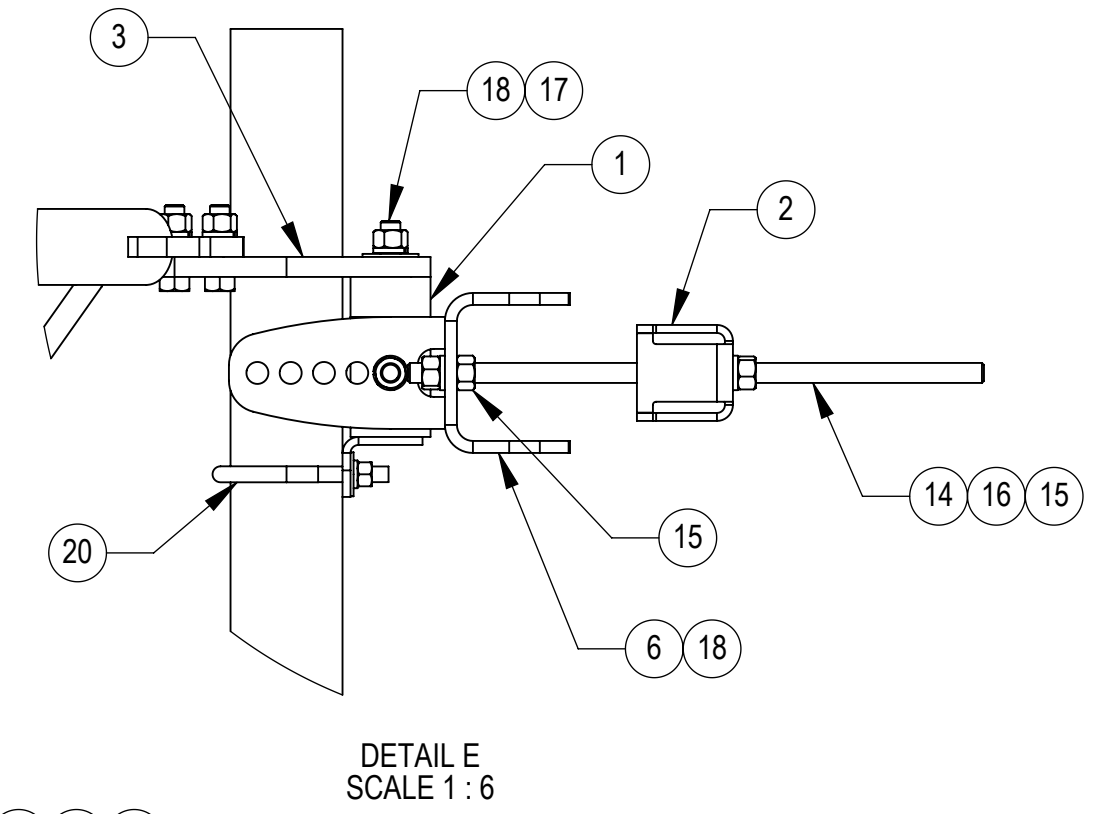
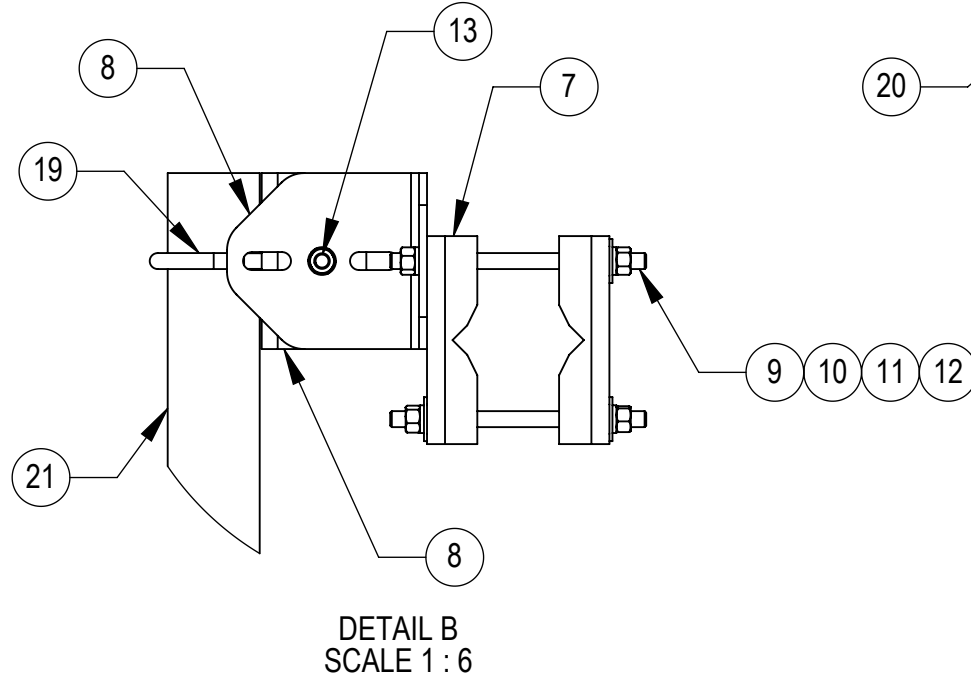
2

1

NOTES:

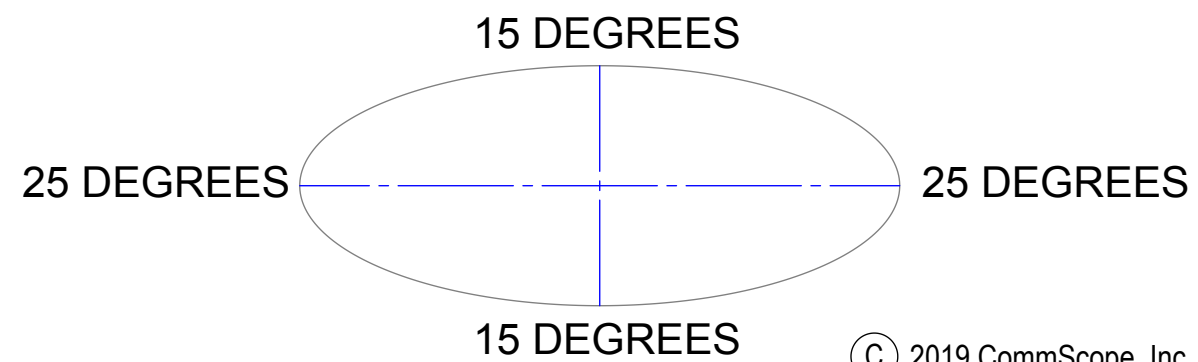


TIEBACK MUST BE CONNECTED TO A RIGID MEMBER THAT PROVIDES ADEQUATE SUPPORT WITHIN THE LIMITS NOTED IN THE TIEBACK ANGLE RANGE DETAIL. UNLESS APPROVED BY ENGINEER OF RECORD. SPINE STEM OF NEIGHBORING MOUNT IS ACCEPTABLE.



WLL MODELS SHOWN FOR REFERENCE

ALLOWABLE TIEBACK ANGLE
 ±15 DEGREES VERTICAL
 ±25 DEGREES HORIZONTAL



© 2019 CommScope, Inc. Confidential

PATENT PENDING

COMMSCOPE, INC. OF NORTH CAROLINA			
TITLE SFG 3 SECTOR FRAME TOWER KIT			
SIZE C	SCALE 1:24	DOCUMENT NO. MTC3752T3	
DRAWING			SHEET
VERSION 06	STATUS RE	REVISION H	3 OF 8

4

3

2

1

NOTES:

STEP 1: ATTACH STANDOFF ARMS (SFG2278) TO BACK VERTICAL ARM MOUNT (SFG2270) USING BOLT KITS (GB-05225)

D

D

C

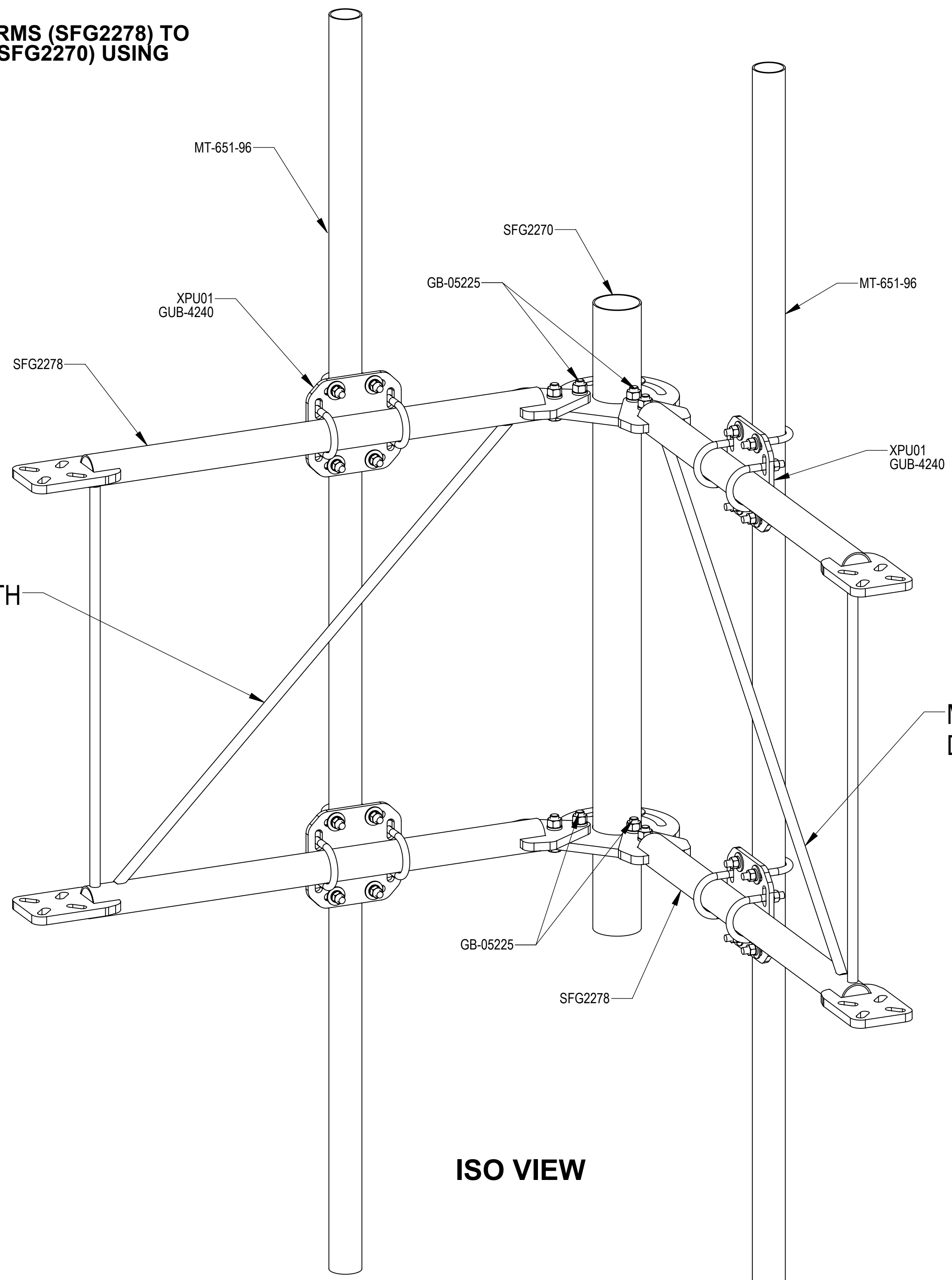
C

B

B

A

A



MUST BE INSTALLED WITH DIAGONALS AS SHOWN

MUST BE INSTALLED WITH DIAGONALS AS SHOWN

ISO VIEW

PATENT PENDING

COMMSCOPE, INC. OF NORTH CAROLINA				
TITLE SFG 3 SECTOR FRAME TOWER KIT				
SIZE C	SCALE 1:6	DOCUMENT NO. MTC3752T3		
		DRAWING		SHEET
		VERSION	STATUS	REVISION
		06	RE	H
				4 OF 8

© 2019 CommScope, Inc. Confidential

4

3

2

1

4

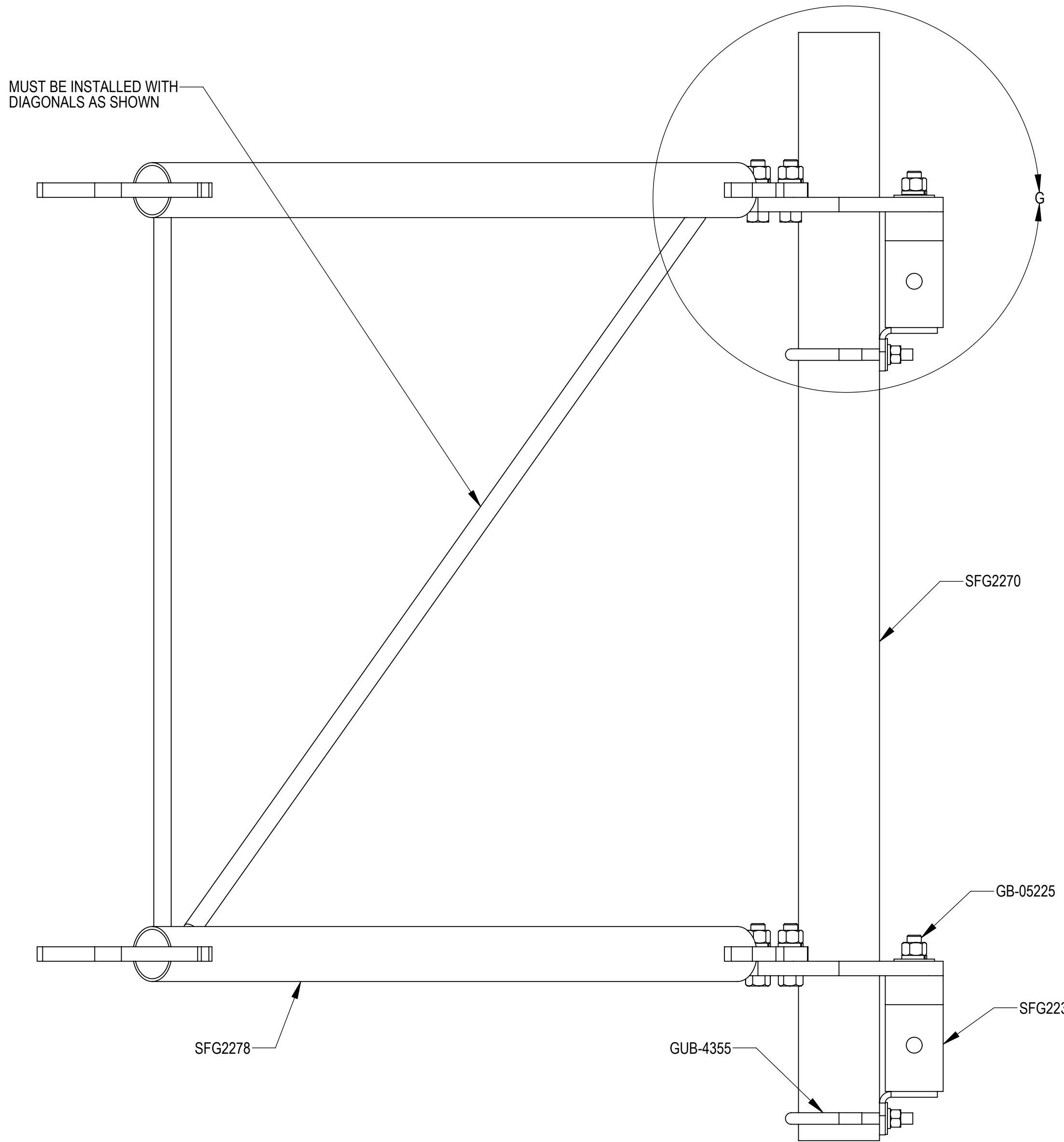
3

2

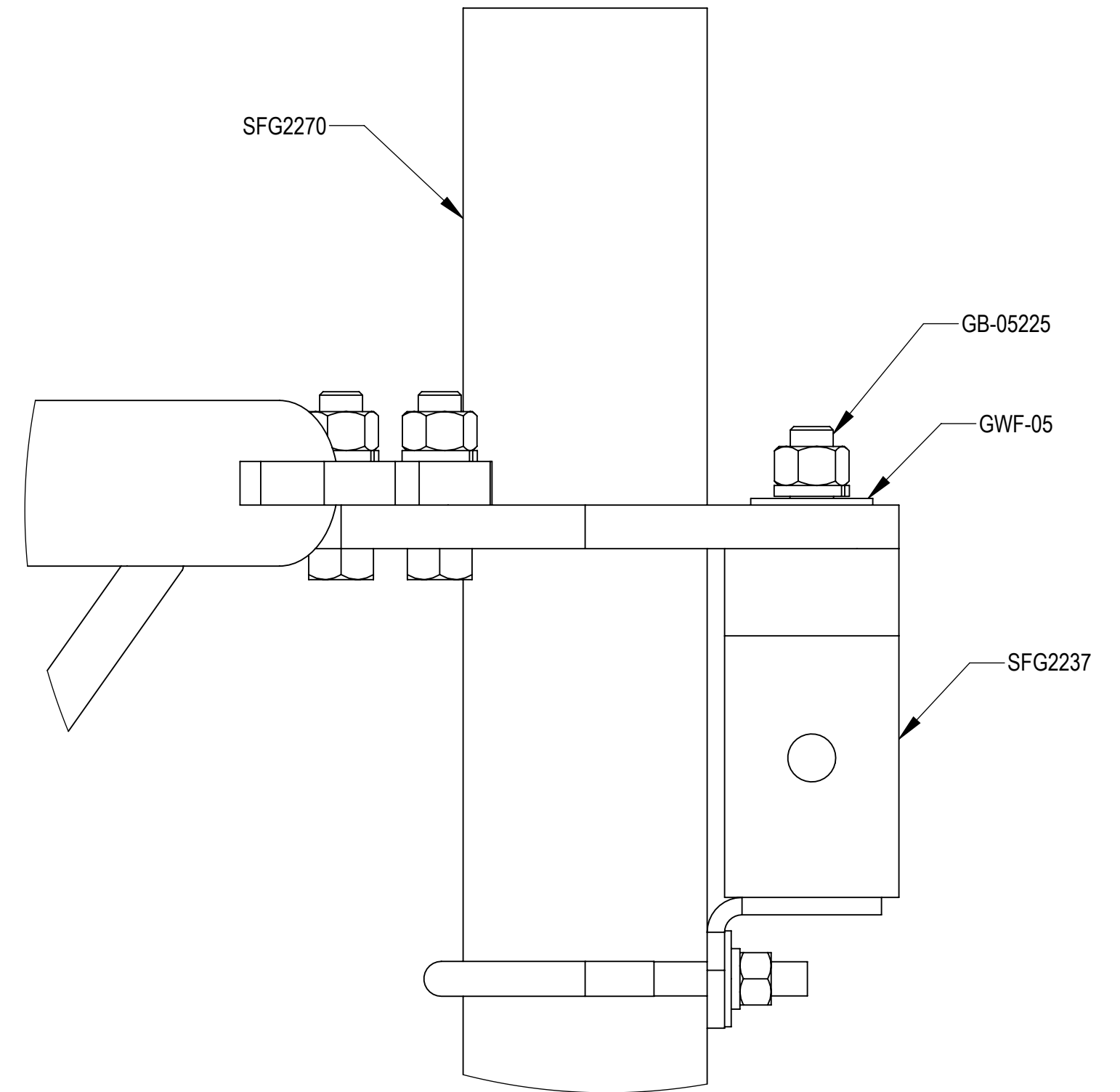
1

NOTES:

STEP 2: ATTACH AZIMUTH/TAPER BRACKET (SFG2237) TO BACK VERTICAL ARM MOUNT (SFG2270) USING BOLT KITS (GB-05225), U-BOLTS (GUB-4355), AND FLAT WASHERS (GWF-05)



SIDE VIEW



DETAIL G
SCALE 1:2

PATENT PENDING

COMMSCOPE, INC. OF NORTH CAROLINA				
TITLE SFG 3 SECTOR FRAME TOWER KIT				
SIZE C	SCALE 1:4	DOCUMENT NO. MTC3752T3		
		DRAWING		SHEET
		VERSION	STATUS	REVISION
		06	RE	H
				5 OF 8

4

3

2

1

D

D

C

C

B

B

A

A

4

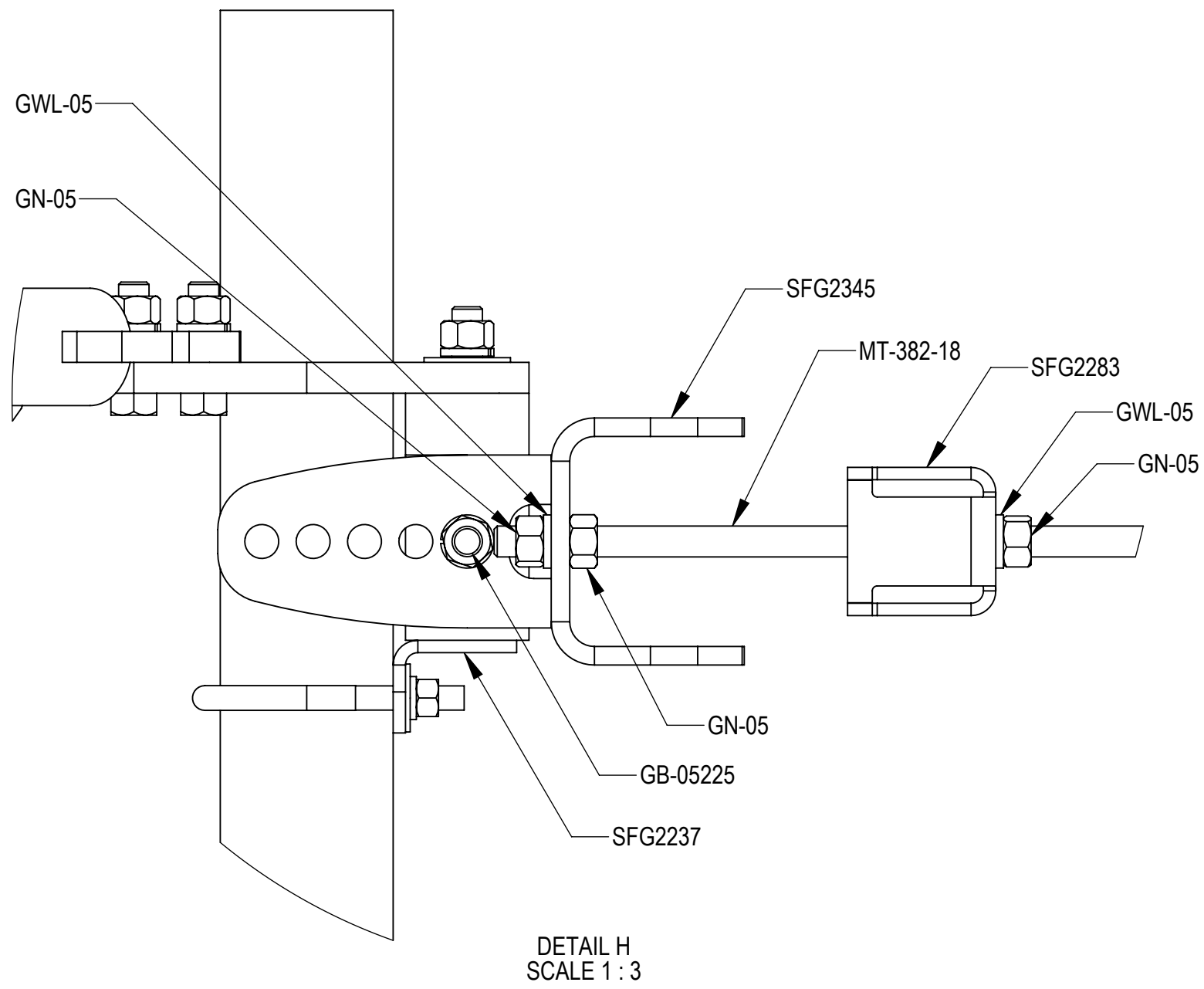
3

2

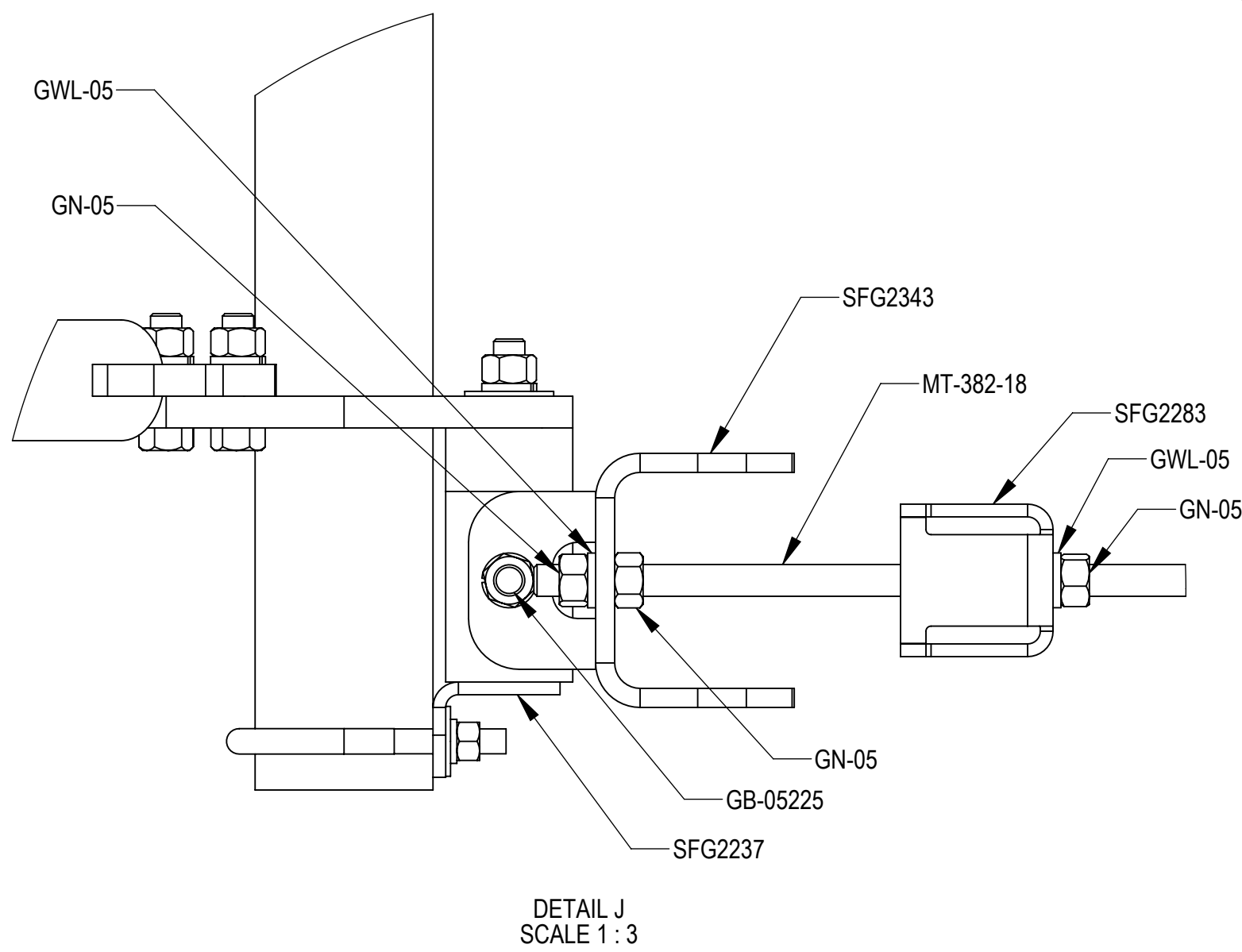
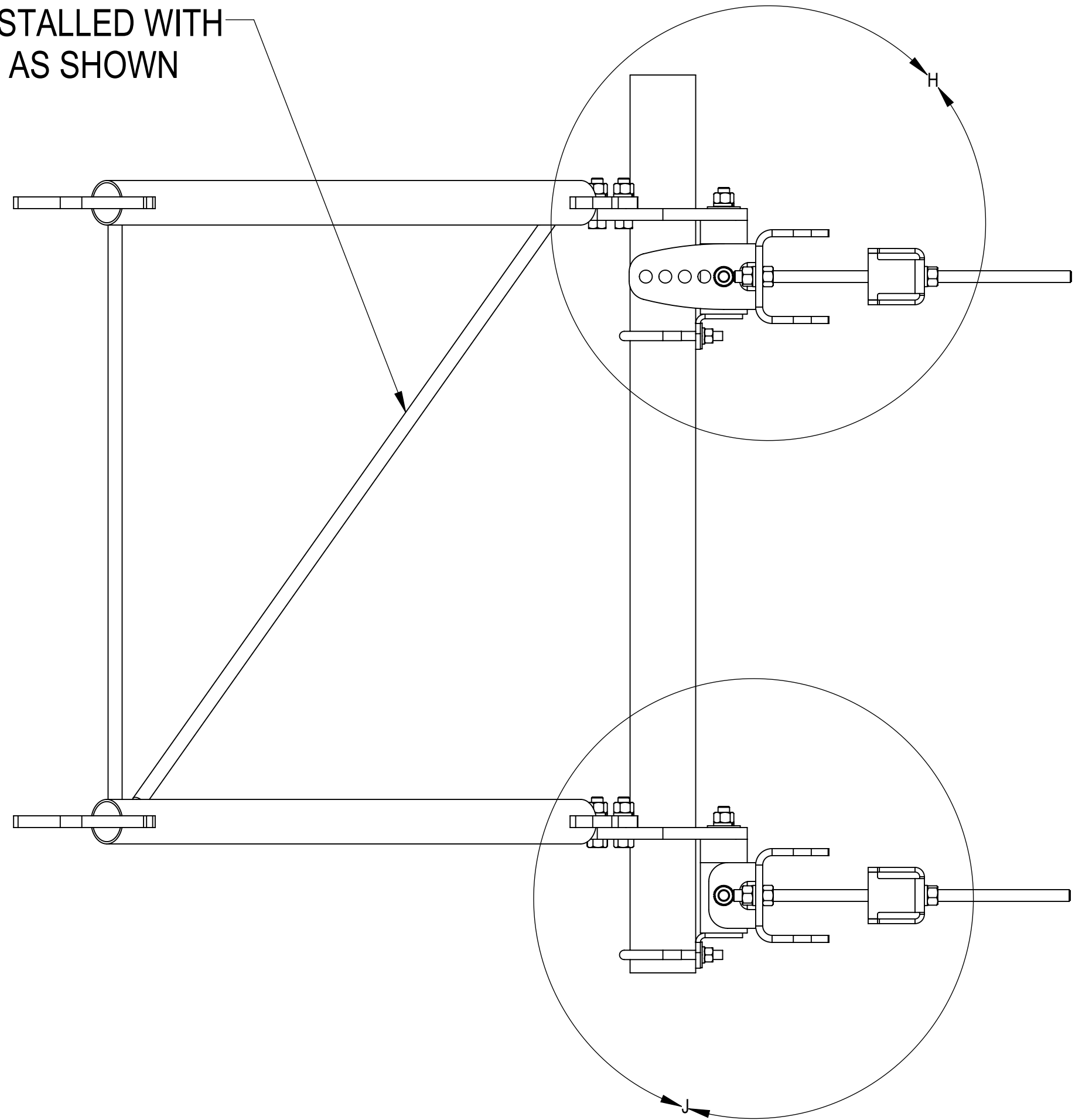
1

NOTES:

**STEP 3: AT TOP, ATTACH TOP TAPER BRACKET (SFG2345) TO AZIMUTH/TAPER BRACKET (SFG2237) USING BOLTS KITS (GB-05225)
 AT BOTTOM, ATTACH LOWER TOWER LEG BRACKET (SFG2343) TO AZIMUTH/TAPER BRACKET (SFG2237) USING BOLTS KITS (GB-05225)**



MUST BE INSTALLED WITH
DIAGONALS AS SHOWN



PATENT PENDING

COMMSCOPE, INC. OF NORTH CAROLINA				
TITLE SFG 3 SECTOR FRAME TOWER KIT				
SIZE C	SCALE 1:6	DOCUMENT NO. MTC3752T3		
		DRAWING		SHEET
		VERSION	STATUS	REVISION
		06	RE	H
				6 OF 8

4

3

2

1

D

D

C

C

B

B

A

A

4

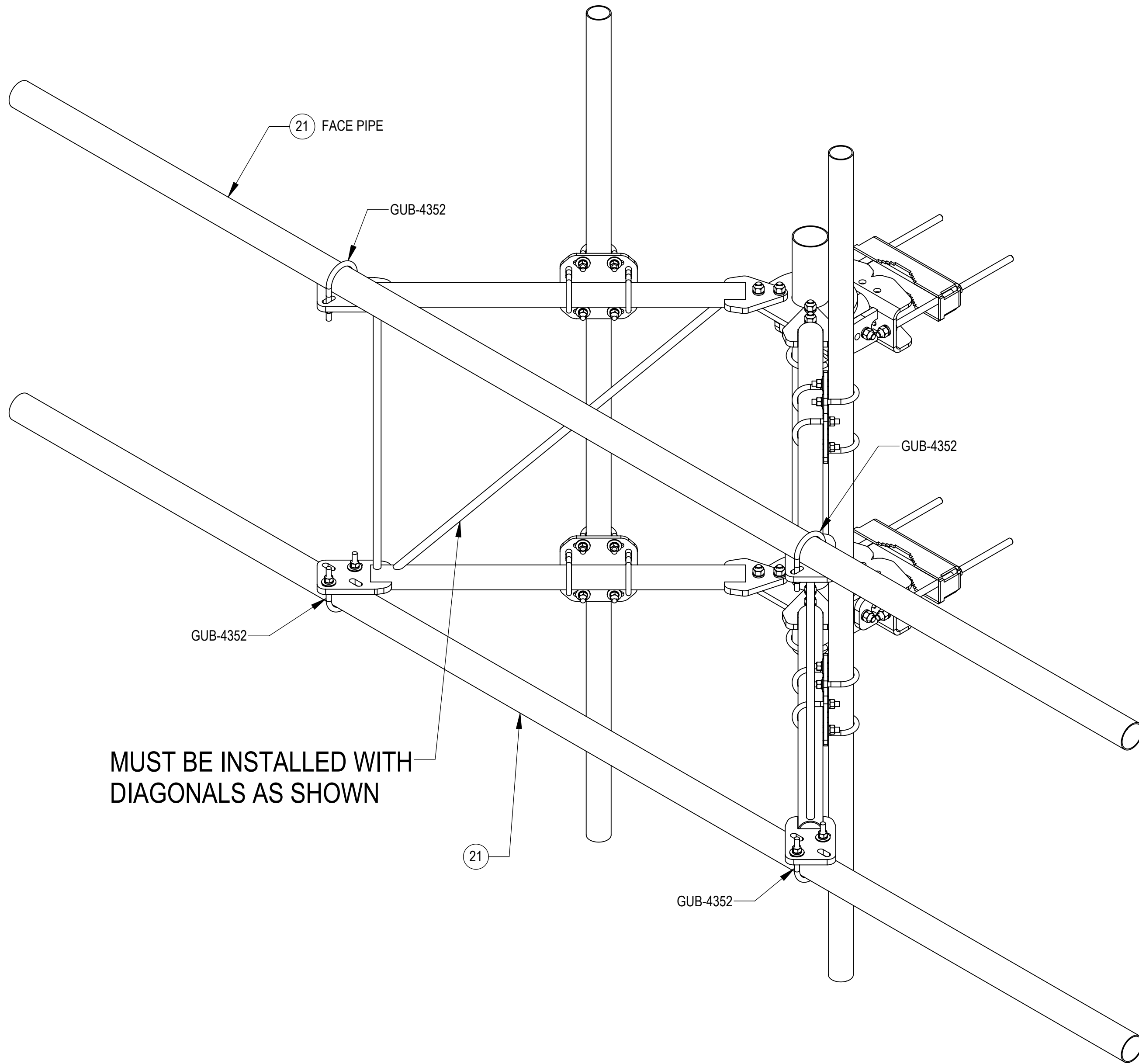
3

2

1

NOTES:

STEP 4: ATTACH FACE PIPES TO STANDOFF ARMS USING U-BOLTS (GUB-4352)




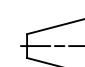
**MUST BE INSTALLED WITH
DIAGONALS AS SHOWN**

PATENT PENDING

COMMSCOPE, INC. OF NORTH CAROLINA

TITLE
SFG 3 SECTOR FRAME TOWER KIT

SIZE C	SCALE 1:8	DOCUMENT NO. MTC3752T3
------------------	---------------------	----------------------------------

 	DRAWING			SHEET 7 OF 8
	VERSION 06	STATUS RE	REVISION H	

© 2019 CommScope, Inc. Confidential

4

3

2

1

4

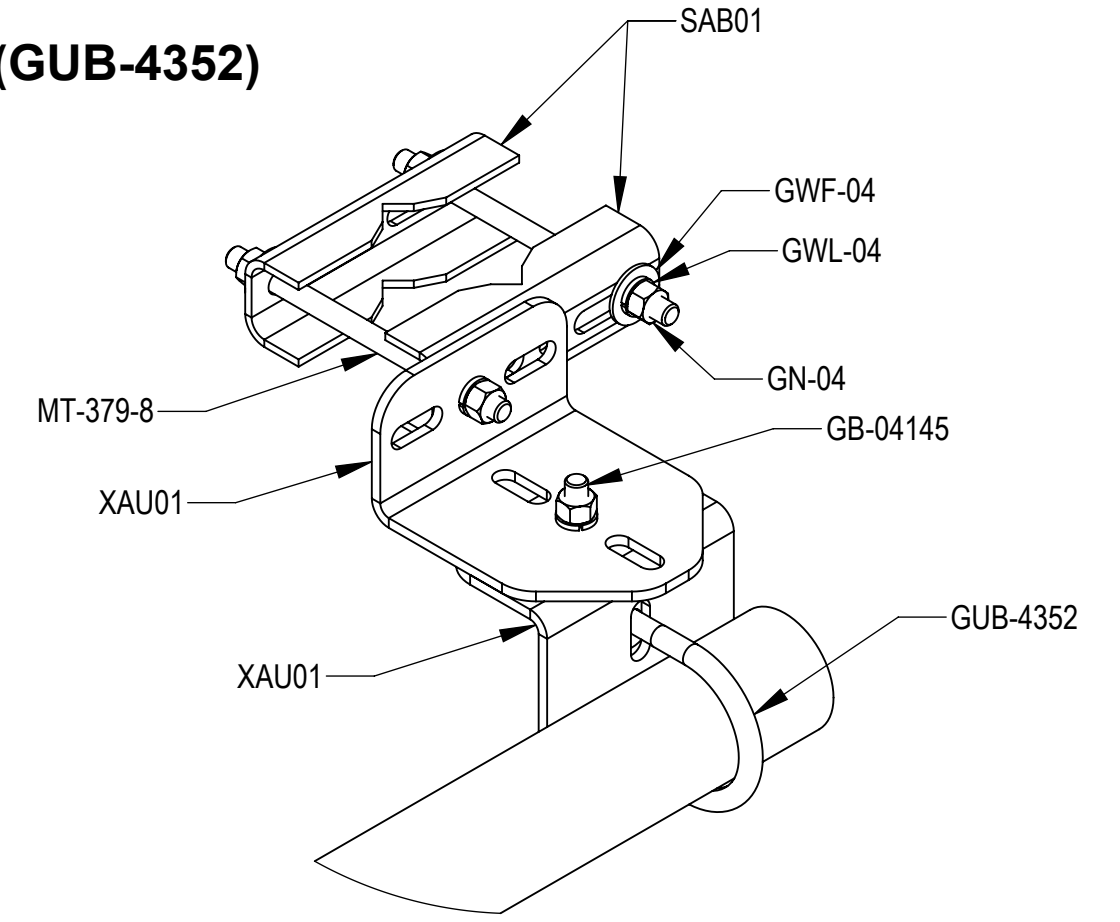
3

2

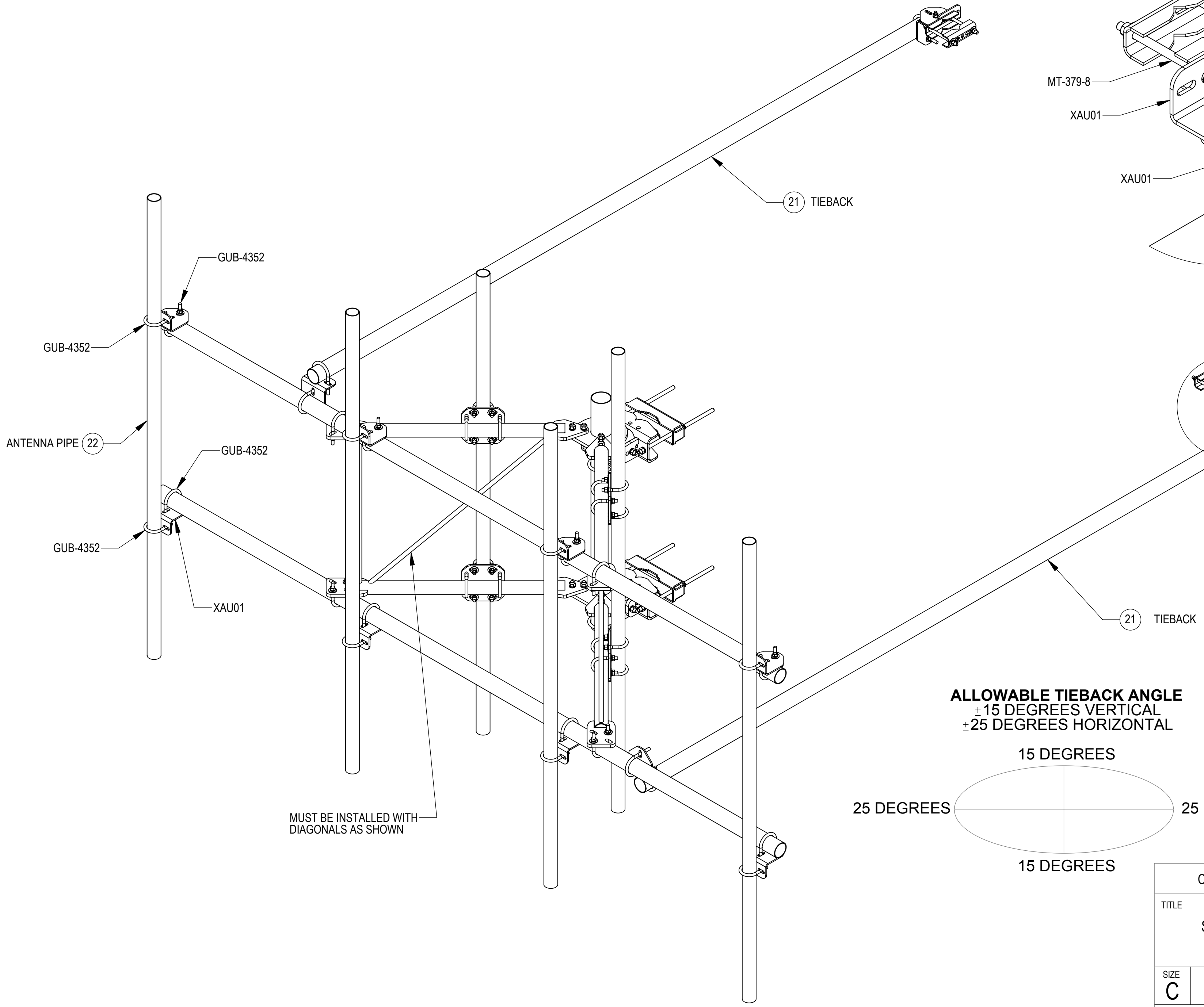
1

NOTES:

STEP 5: ATTACH ANTENNA PIPES & TIEBACKS TO FACE PIPES USING CROSSOVER ANGLES (XAU01) AND U-BOLTS (GUB-4352)

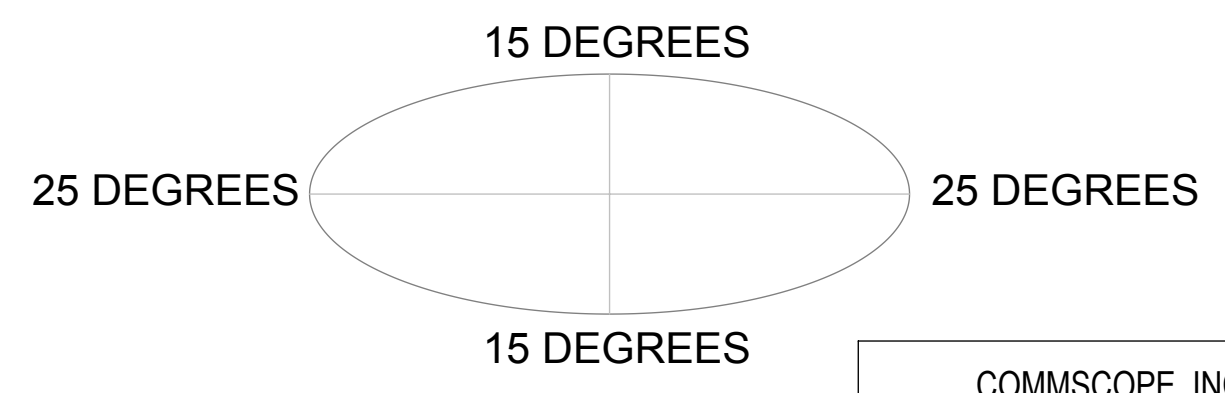


DETAIL K
SCALE 1 : 4



MUST BE INSTALLED WITH
DIAGONALS AS SHOWN

ALLOWABLE TIEBACK ANGLE
±15 DEGREES VERTICAL
±25 DEGREES HORIZONTAL



PATENT PENDING

COMMSCOPE, INC. OF NORTH CAROLINA				
TITLE SFG 3 SECTOR FRAME TOWER KIT				
SIZE C	SCALE 1:12	DOCUMENT NO. MTC3752T3		
DRAWING		VERSION	STATUS	REVISION
		06	RE	H
				SHEET 8 OF 8

4

3

2

1

D

D

C

C

B

B

A

A