

4

3

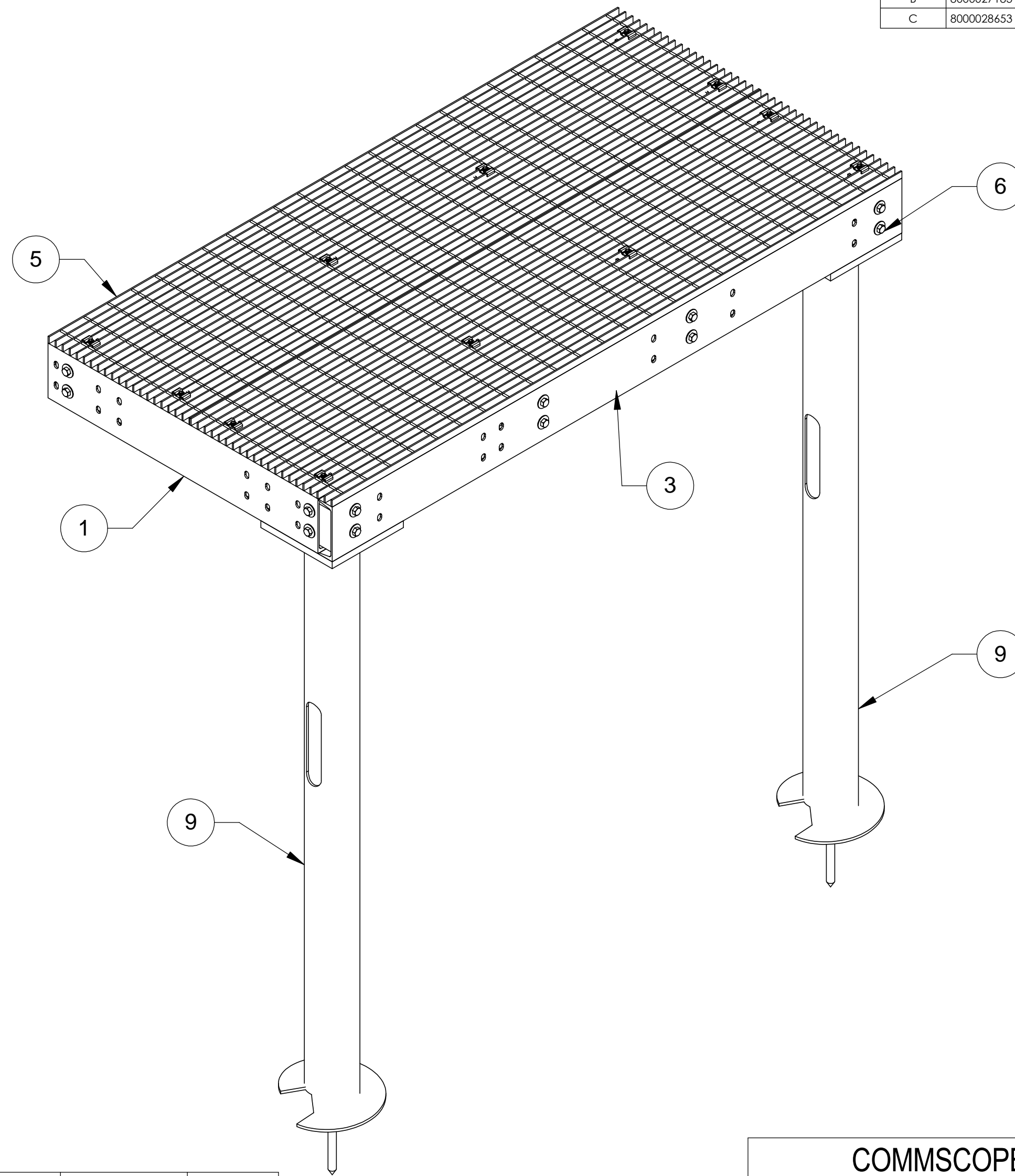
2

1

NOTES:

1.0 ALL METRIC DIMENSIONS ARE IN BRACKETS.

REVISIONS				
REV.	ECN	DESCRIPTION	BY	DATE
A	8000026405	INITIAL RELEASE	RDLS	09/28/17
B	8000027183	ADDED PINCH PLATES AND HARDWARE	MRC	11/16/17
C	8000028653	ADDED SHEETS 3 & 4 FOR HELICAL LOCATIONS	RJC	03/05/18



ITEM	PART NO.	DESCRIPTION	QTY.	WEIGHT	NOTE NO.
1	MTC3738E410	CHANNEL, EXTENSION	4	42.69 LBS	
2	MTC790203	CHANNEL ADAPTER ANGLE	6	7.07 LBS	
3	MTC79020808.05	8' SIDE CHANNEL	1	90.60 LBS	
4	MTC3738106	BRACKET, CORNER - WELDMENT	2	8.70 LBS	
5	MTC79020808.03	24" X 96" BAR GRATING	2	114.17 LBS	
6	GB-05205	5/8" X 2" GALV BOLT KIT	32	0.26 LBS	
7	GWF-05	5/8" GALV FLAT WASHER	64	0.06 LBS	
8	GCM03	GRATING CLIP	12	0.44 LBS	
9	ST-HB07	LIGHTING FOUNDATION 7 FT	2	173.71	
10	MTC397901	PINCH PLATE	2	0.90 LBS	
11	MTC397902	PINCH PLATE, LONG	2	2.84 LBS	
12	GWF-08	1" Galv Flat Washer	12	0.09 LBS	
13	GB-0828A	1"-8 X 3-1/2" GALV BOLT KIT (A325)	6	1.10 LBS	

DENSITY	0.28	lbs/in <sup>3</sup>
MASS	2948.10	lbs
VOLUME	10453.29	in <sup>3</sup>
SURFACE AREA		in <sup>2</sup>
HEIGHT		
LENGTH		
WIDTH		

**COMMSCOPE, INC. OF NORTH CAROLINA**

TOLERANCES		SAP MATERIAL MASTER	
0 PLACE X ± .25	2 PLACE .XX ± .06	<b>MTC3982G</b>	
1 PLACE .X ± .12	ANGLES ± 2°		
FINISH		MATERIAL	
<b>GALV A123</b>		<b>A1011/A1018, A500, A529, A572</b>	
UNLESS OTHERWISE SPECIFIED DIMENSIONS ARE IN MILLIMETERS INTERPRET PER ISO STANDARDS HANDBOOK TECHNICAL DRAWINGS VOLUMES 1 & 2, THIRD EDITION (2002)		NAME	DATE
		CE <b>RDLS</b>	05/17/17
		RW	
		AD	
RE <b>TP</b>	05/17/17	<b>4X8 PLATFORM EXTENSION KIT, 7FT HELICAL PIERS</b>	
ECN <b>8000026405</b>	SCALE <b>1:12</b>	DOCUMENT NO. <b>MTC3982G</b>	
SIZE	WORK AREA	MODEL	
C		VERSION	STATUS
		REVISION	REVISION
		DRAWING	
		VERSION	STATUS
		REVISION	REVISION
		<b>C</b>	
			SHEET
			1 OF 4

4

3

2

1

4

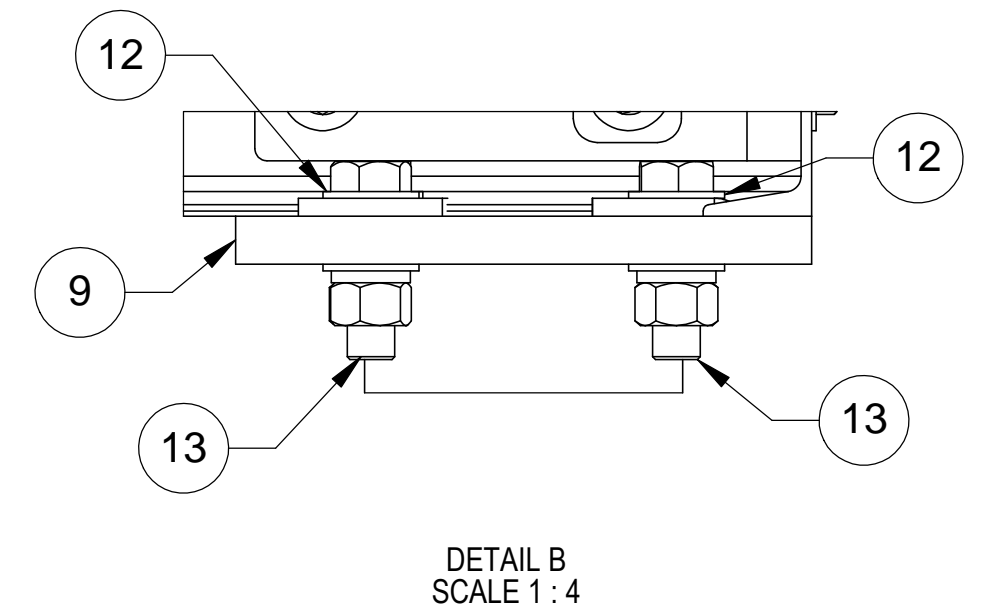
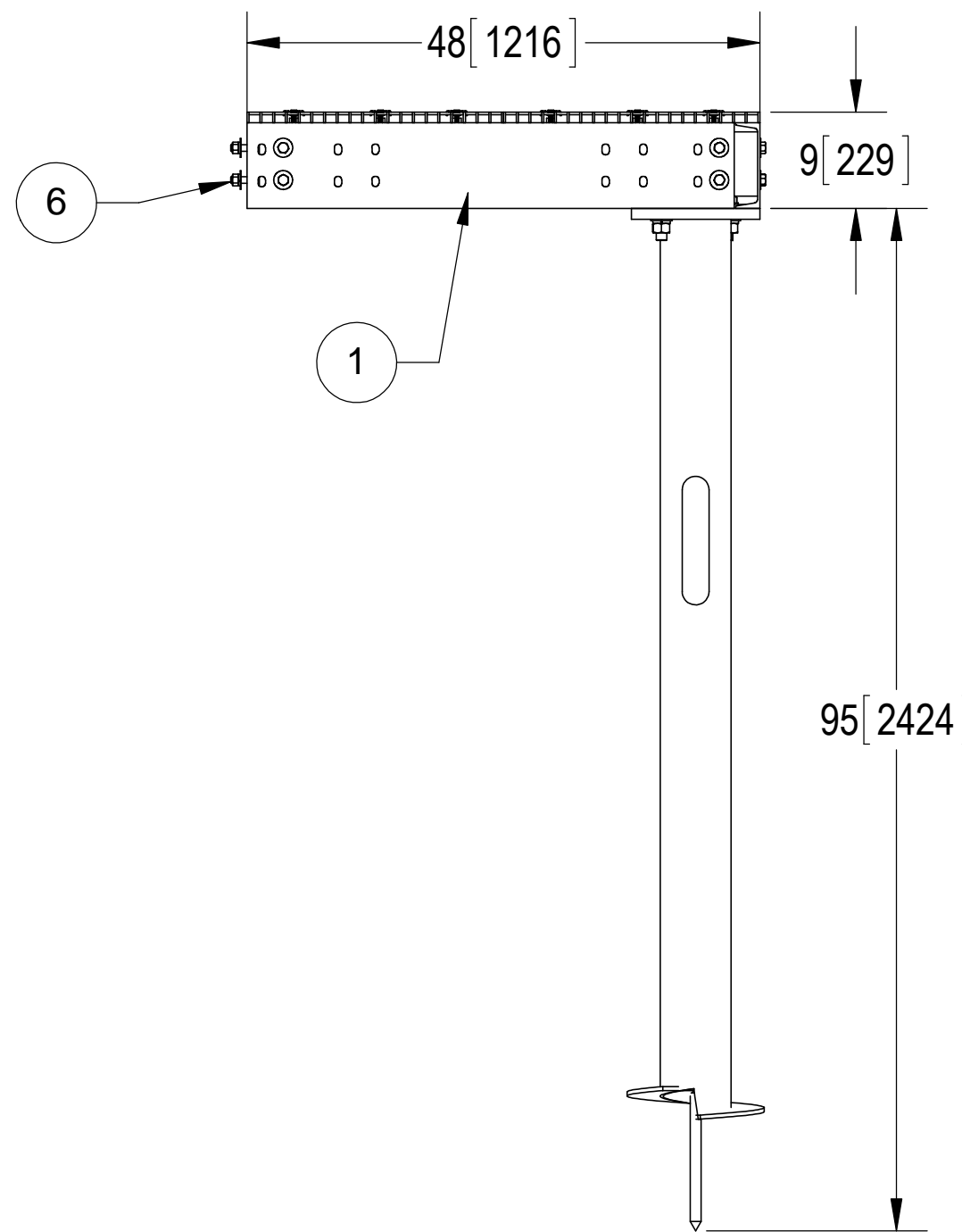
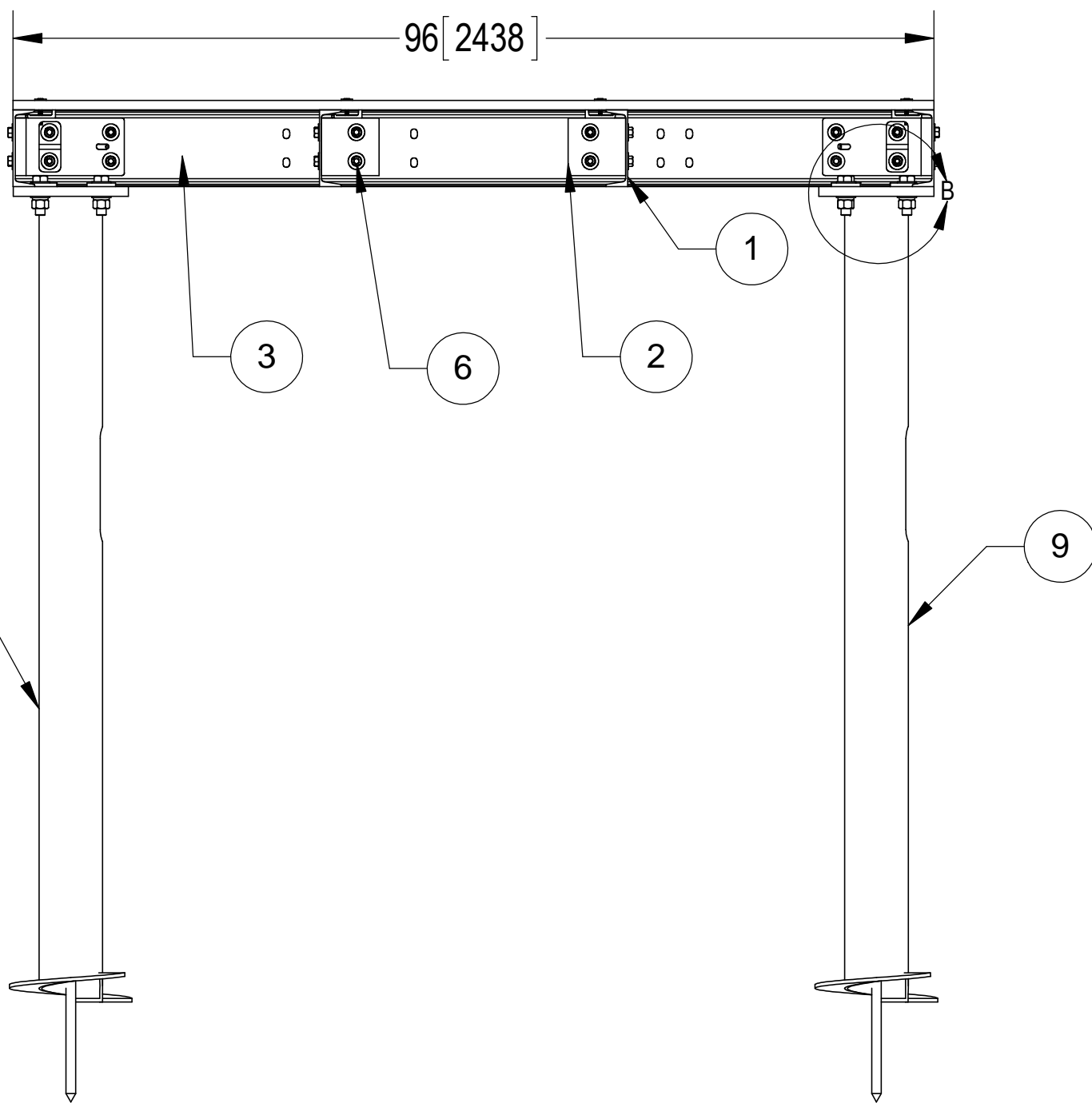
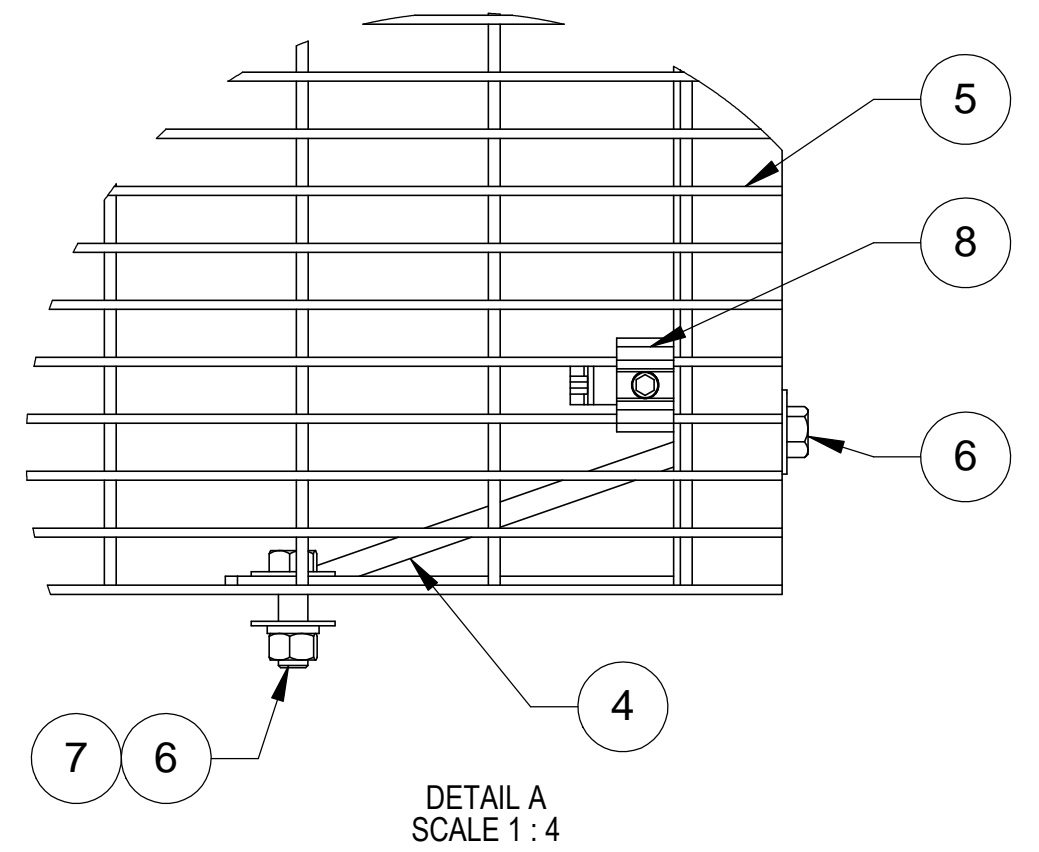
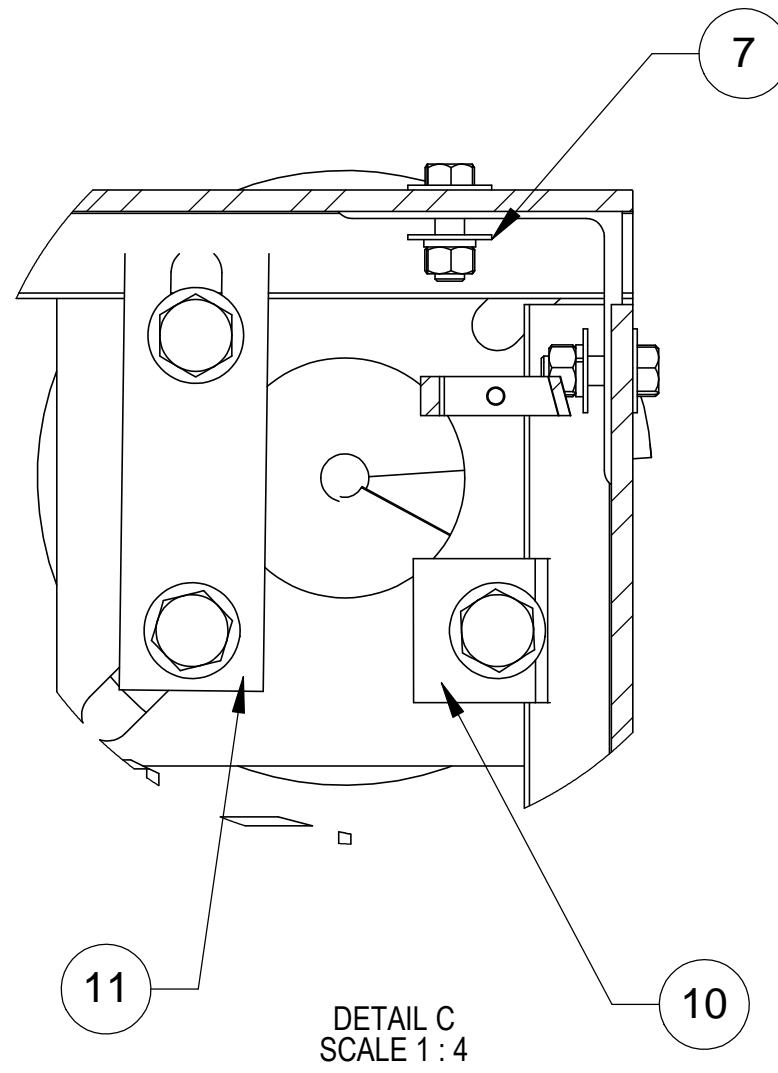
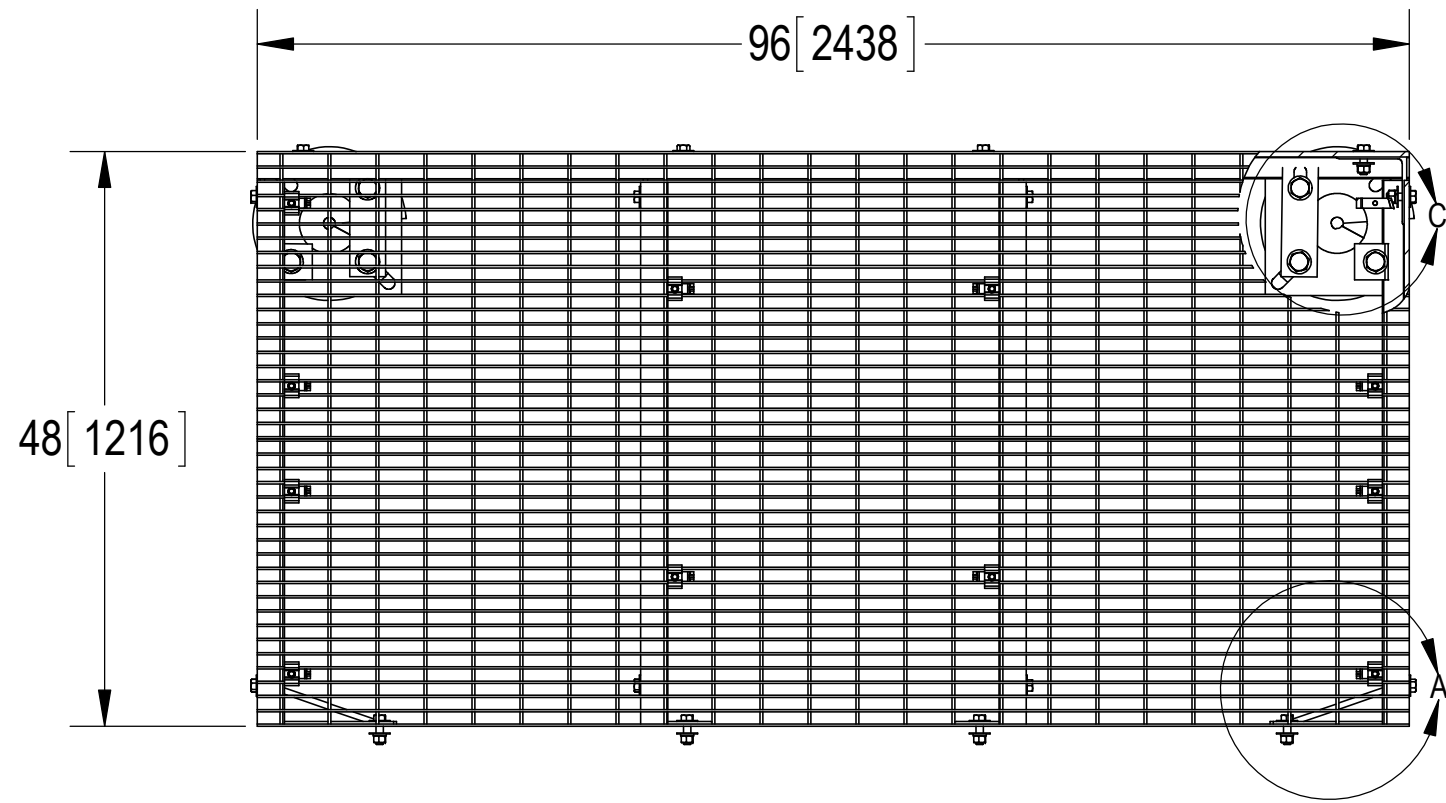
3


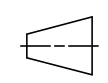
2

1

NOTES:

1.0 ALL METRIC DIMENSIONS ARE IN BRACKETS.



COMMScope, INC. OF NORTH CAROLINA				
TITLE <b>4X8 PLATFORM EXTENSION KIT, 7FT HELICAL PIERS</b>				
SIZE <b>C</b>	SCALE <b>1:16</b>	DOCUMENT NO. <b>MTC3982G</b>		
DRAWING		VERSION	STATUS	REVISION
 				<b>C</b>
				SHEET 2 OF 4

© 2015 CommScope, Inc. Confidential

4

3

2

1

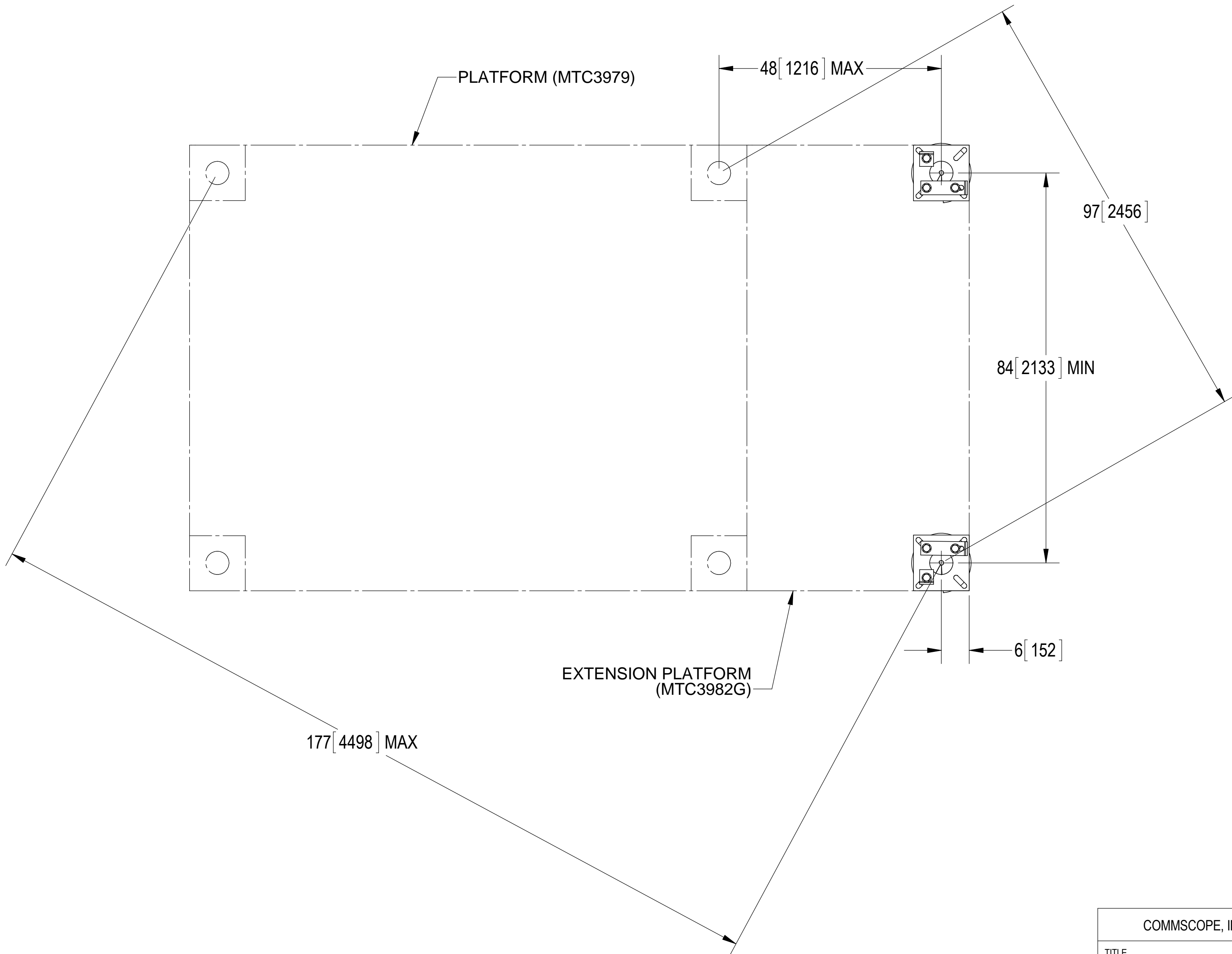
4

3

2

1

NOTES:  
1.0 ALL METRIC DIMENSIONS ARE IN BRACKETS.



**TOP VIEW OF HELICAL LOCATIONS  
MOUNTED IN THE CORNERS OF THE PLATFORM**

COMMSCOPE, INC. OF NORTH CAROLINA				
TITLE				
<b>4X8 PLATFORM EXTENSION KIT, 7FT HELICAL PIERS</b>				
SIZE	SCALE	DOCUMENT NO.		
<b>C</b>	<b>1:16</b>	<b>MTC3982G</b>		
		DRAWING		SHEET
		VERSION	STATUS	REVISION
				<b>C</b>
				3 OF 4

© 2015 CommScope, Inc. Confidential

4

3

2

1

D

D

C

C

B

B

A

A

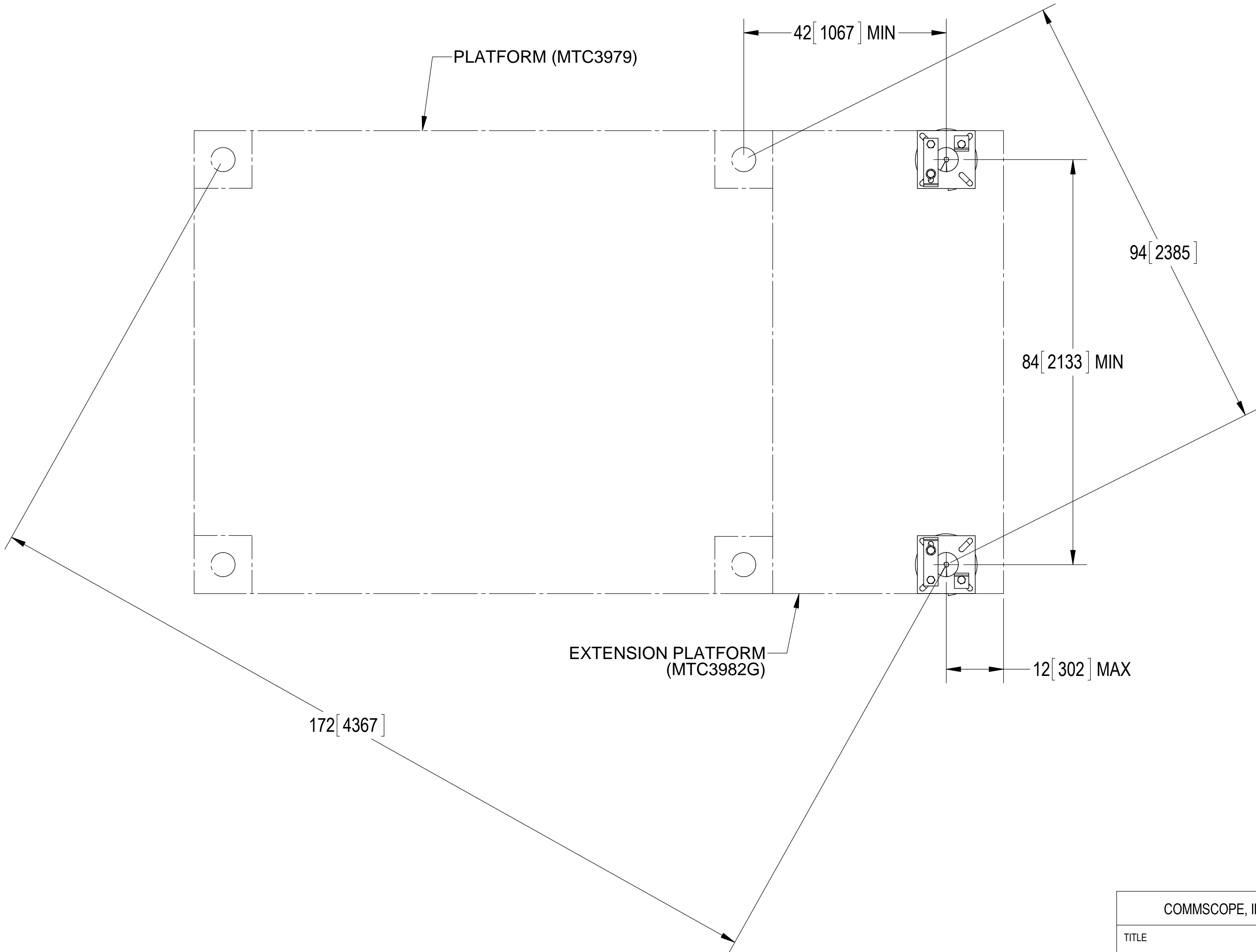
4

3

2

1

NOTES:  
1.0 ALL METRIC DIMENSIONS ARE IN BRACKETS.



**TOP VIEW OF HELICAL LOCATIONS MOUNTED  
IN FROM CORNERS OF THE PLATFORM**

COMMSCOPE, INC. OF NORTH CAROLINA				
TITLE				
<b>4X8 PLATFORM EXTENSION KIT, 7FT HELICAL PIERS</b>				
SIZE	SCALE	DOCUMENT NO.		
<b>C</b>	<b>1:16</b>	<b>MTC3982G</b>		
		DRAWING		SHEET
		VERSION	STATUS	REVISION
				<b>C</b>
				4 OF 4

© 2015 CommScope, Inc. Confidential

4

3

2

1

D

D

C

C

B

B

A

A