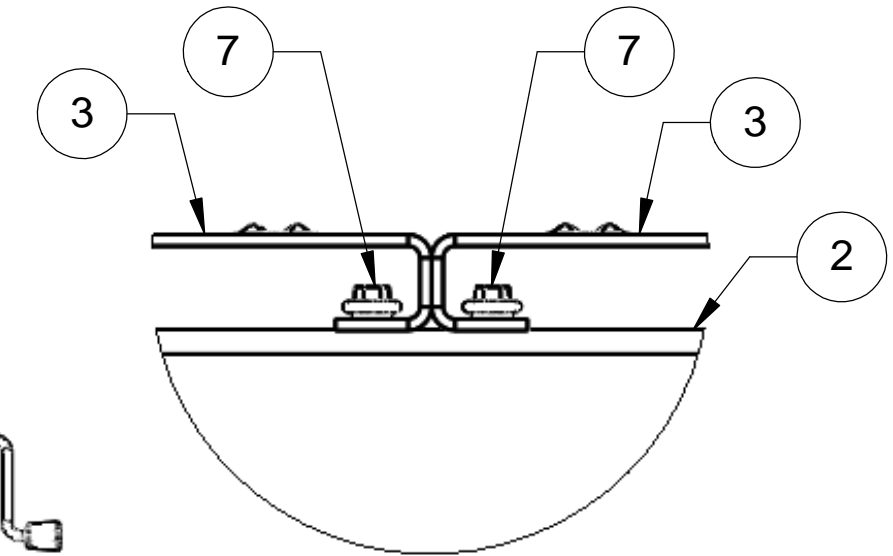
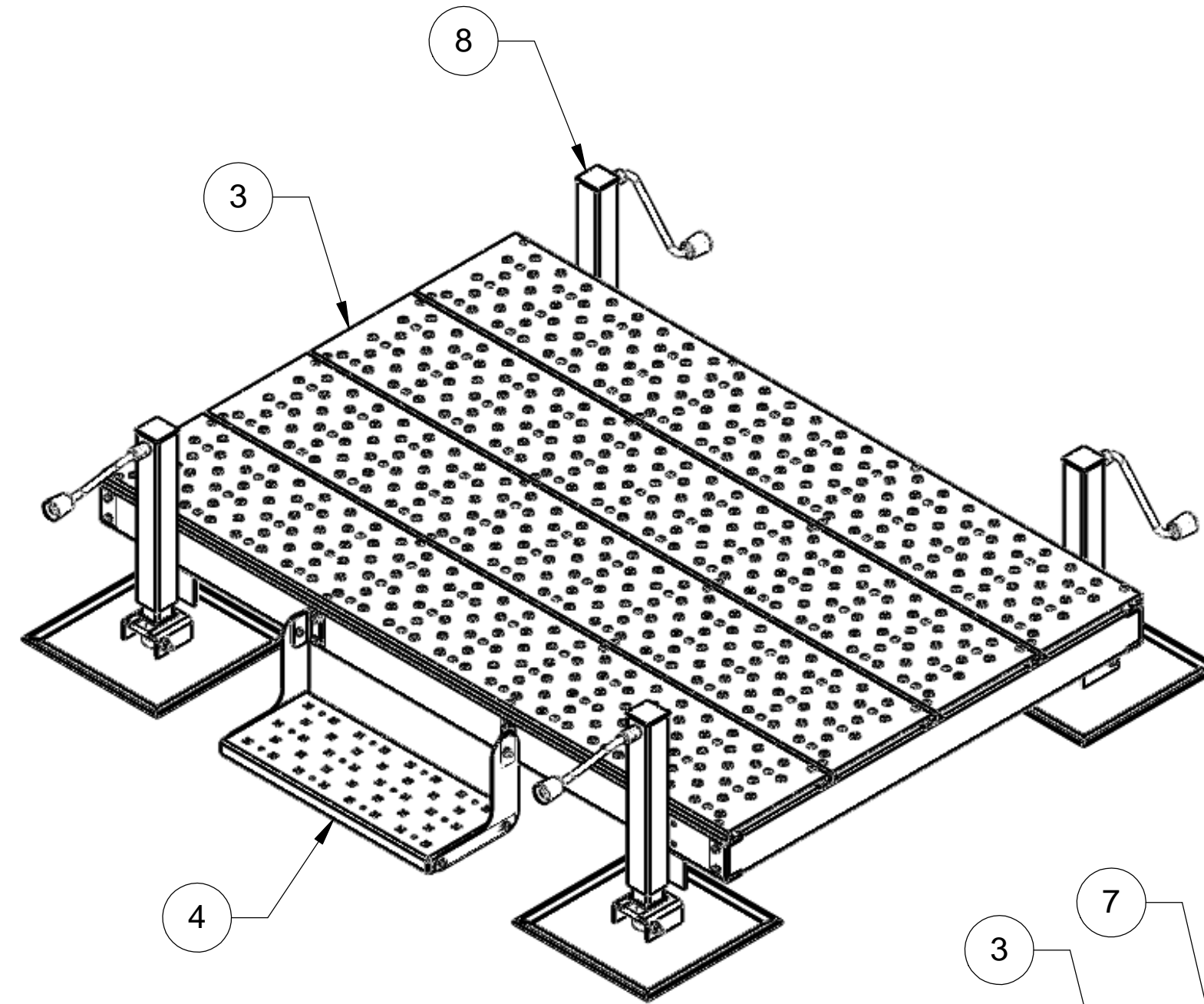
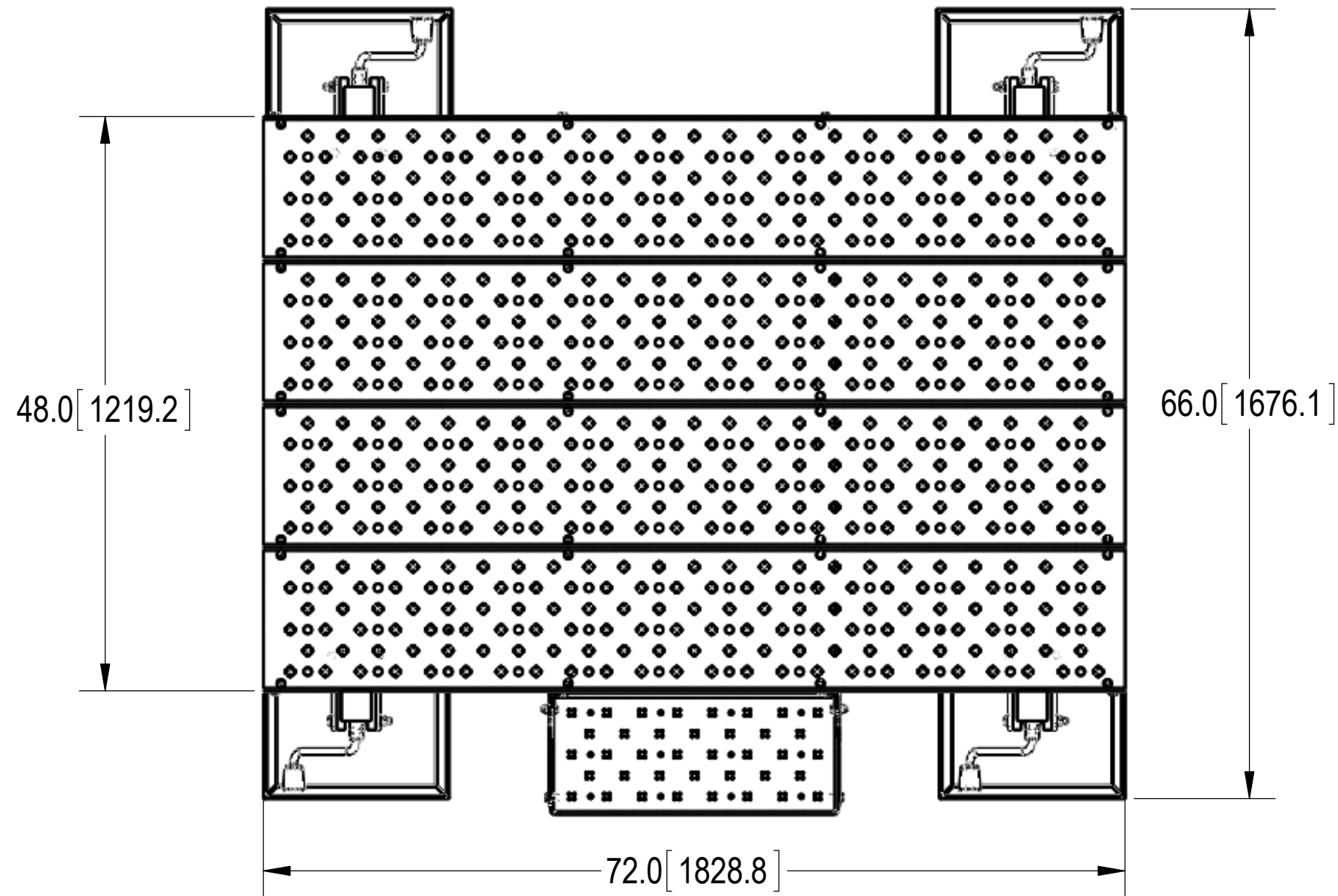
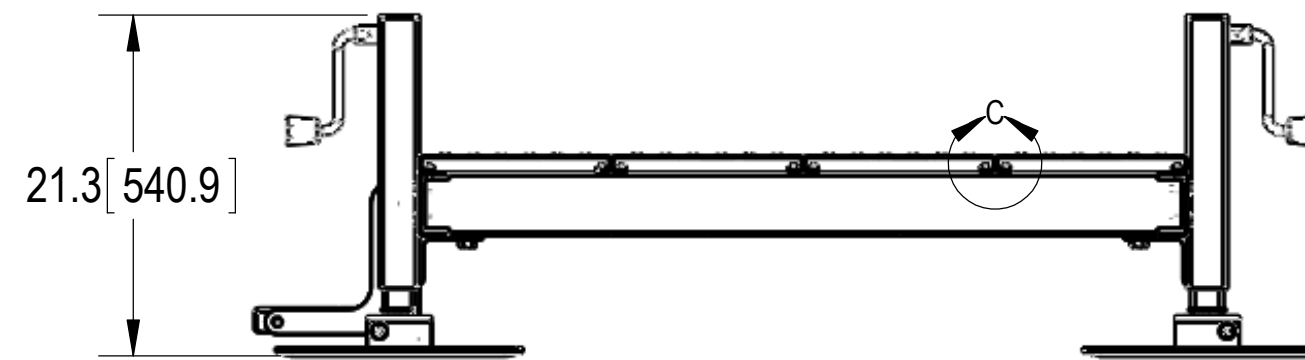
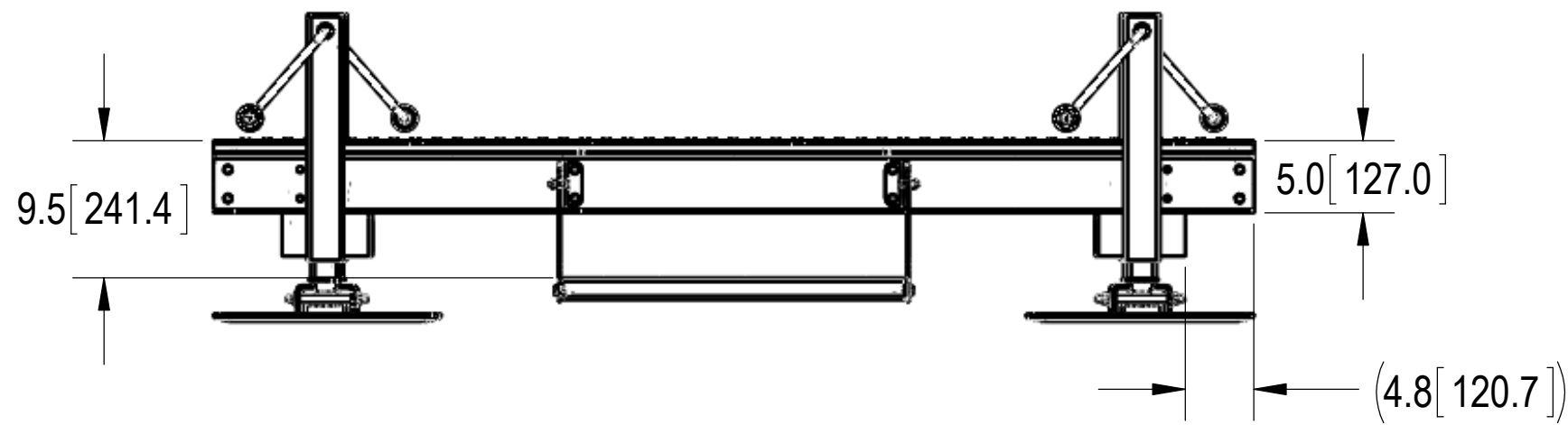


NOTES:
1.0 ALL METRIC DIMENSIONS ARE IN BRACKETS.

REVISIONS				
REV.	ECN	DESCRIPTION	BY	DATE
A	8000028141	INITIAL RELEASE	RJC	01/25/18



DETAIL C
SCALE 1:2



ITEM	PART NO.	DESCRIPTION	QTY.	WEIGHT	NOTE NO.
1	MTC398701	CHANNEL, PLATFORM LONG	2	17.76 LBS	
2	MTC398702	CHANNEL, PLATFORM SHORT	4	11.62 LBS	
3	MTC398972	DECK, FORMED	4	35.60 LBS	
4	MTC3922S	STEP FOR LIGHT DUTY PLATFORM	1	15.801	
5	GB-03105	3/8" X 1" GALV BOLT KIT	13	0.05 LBS	
6	GB-03145	3/8" X 1-1/2" GALV BOLT KIT	4	0.07 LBS	
7	TS1275	TEK SCREW #12 X 3/4, WITH NEOPRENE WASHER	32	0.02 LBS	
8	EQ-P-AL	ADJ. LEG FOR EQ. PLATFORM	4	56 LBS	

DENSITY	0.32	lbs/in ³
MASS	466.09	lbs
VOLUME		in ³
SURFACE AREA	20069.40	in ²
HEIGHT		
LENGTH		
WIDTH		

COMMSCOPE, INC. OF NORTH CAROLINA					
TOLERANCES			SAP MATERIAL MASTER		
0 PLACE	X ± .25	2 PLACE	.XX ± .06	MTC3987DF	
1 PLACE	.X ± .12	ANGLES	± 2°		
FINISH			MATERIAL		
GALV A123			A1011/A1018		
UNLESS OTHERWISE SPECIFIED DIMENSIONS ARE IN MILLIMETERS INTERPRET PER ISO STANDARDS HANDBOOK TECHNICAL DRAWINGS VOLUMES 1 & 2, THIRD EDITION (2002)	NAME	DATE	TITLE		
	CE RJC	01/22/18	4X6 PLATFORM, ADJUSTABLE FEET		
	RV				
	AD		SCALE	DOCUMENT NO.	
	RE TP	01/22/18	1:12	MTC3987DF	
ECN 8000028141					
SIZE	WORK AREA	MODEL		DRAWING	
C		VERSION	STATUS	REVISION	VERSION
					REVISION
					A
					SHEET
					1 OF 2

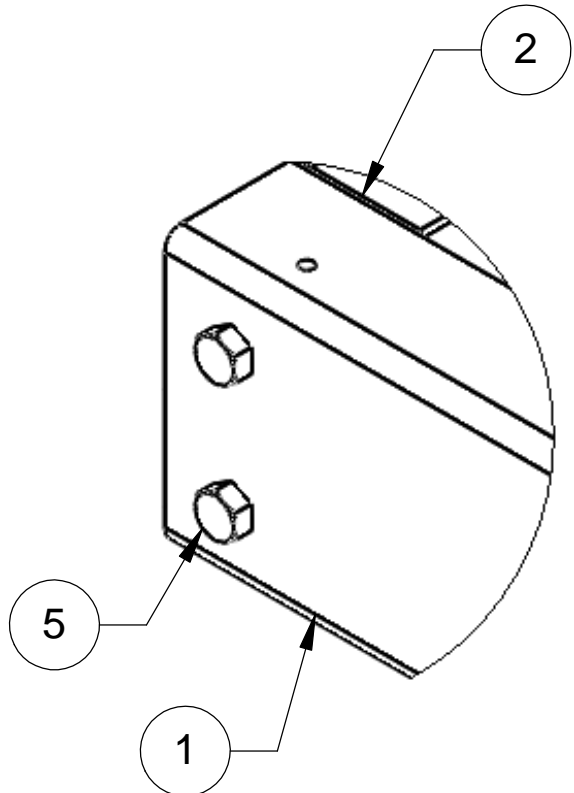
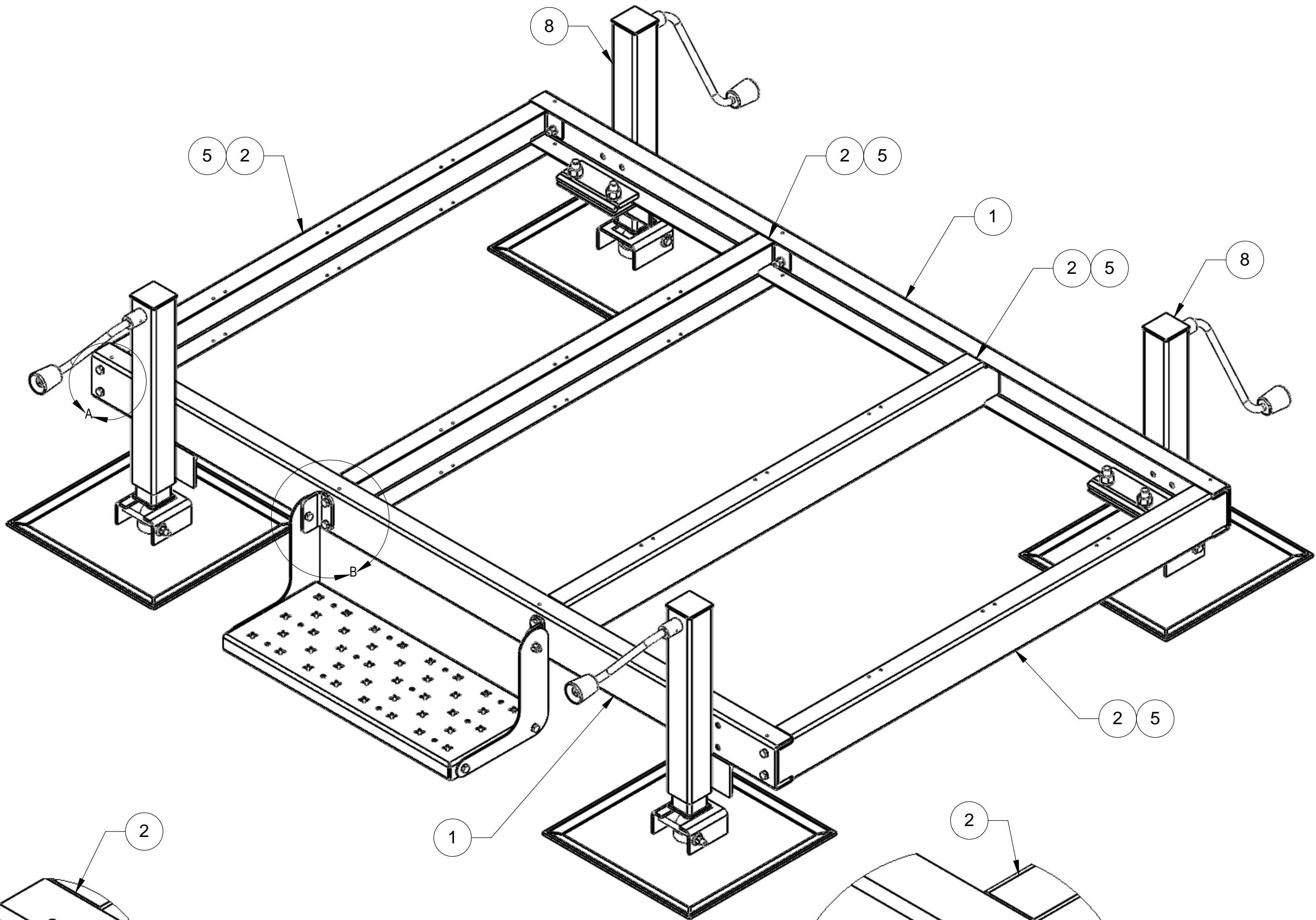
4

3

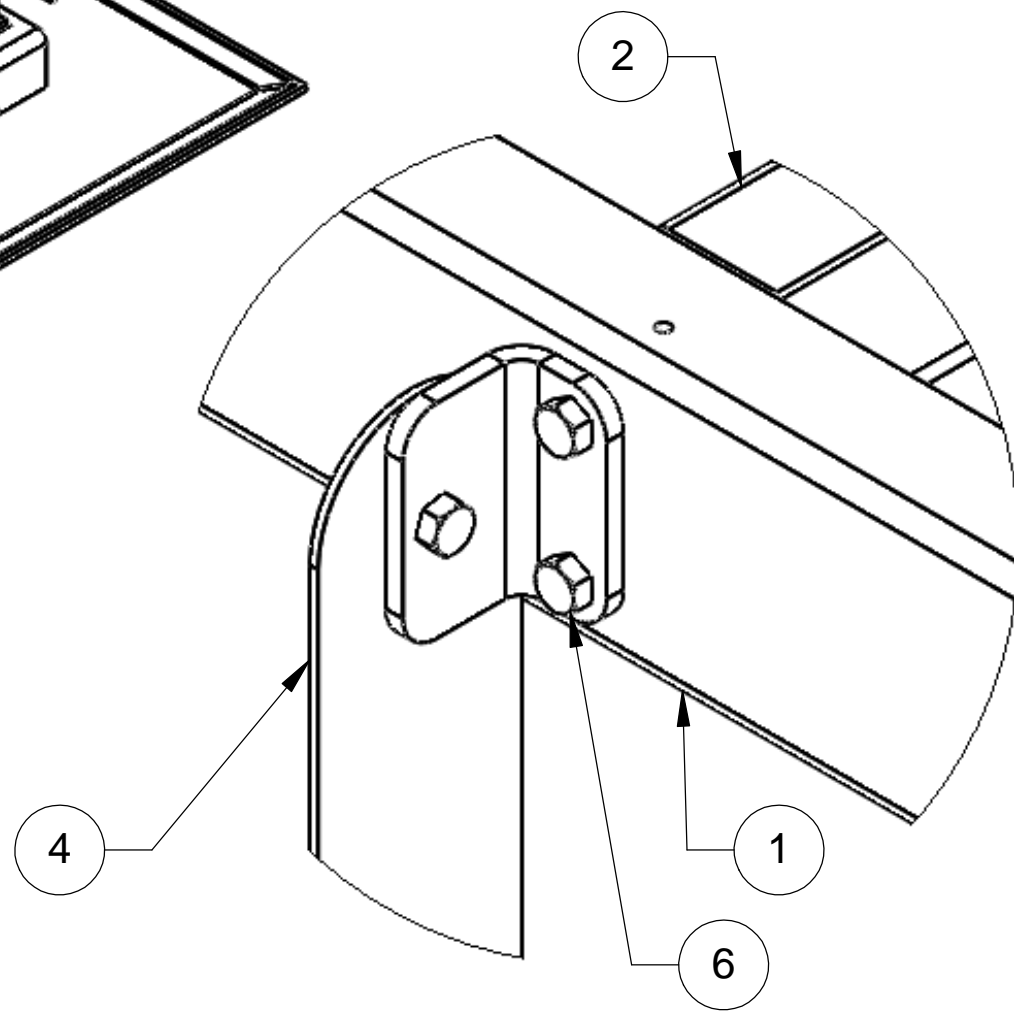
2

1

NOTES:



DETAIL A
SCALE 1 : 2



DETAIL B
SCALE 1 : 2
© 2015 CommScope, Inc. Confidential

COMMSCOPE, INC. OF NORTH CAROLINA			
TITLE 4X6 PLATFORM, ADJUSTABLE FEET			
SIZE C	SCALE 1:6	DOCUMENT NO. MTC3987DF	
DRAWING		VERSION	REVISION
			A
			SHEET 2 OF 2

4

3

2

1