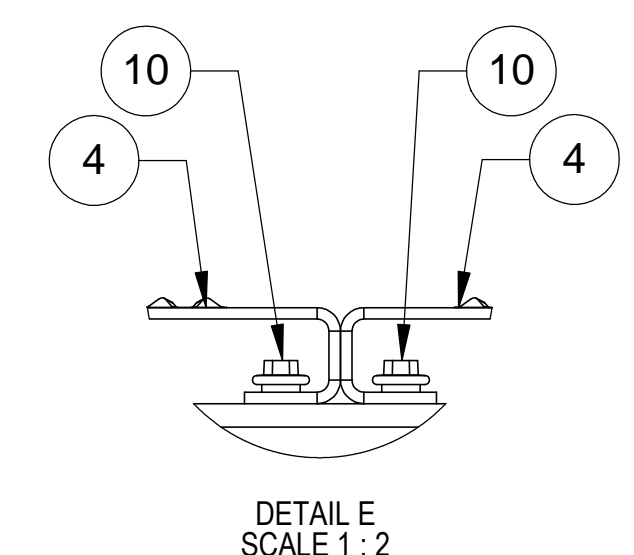
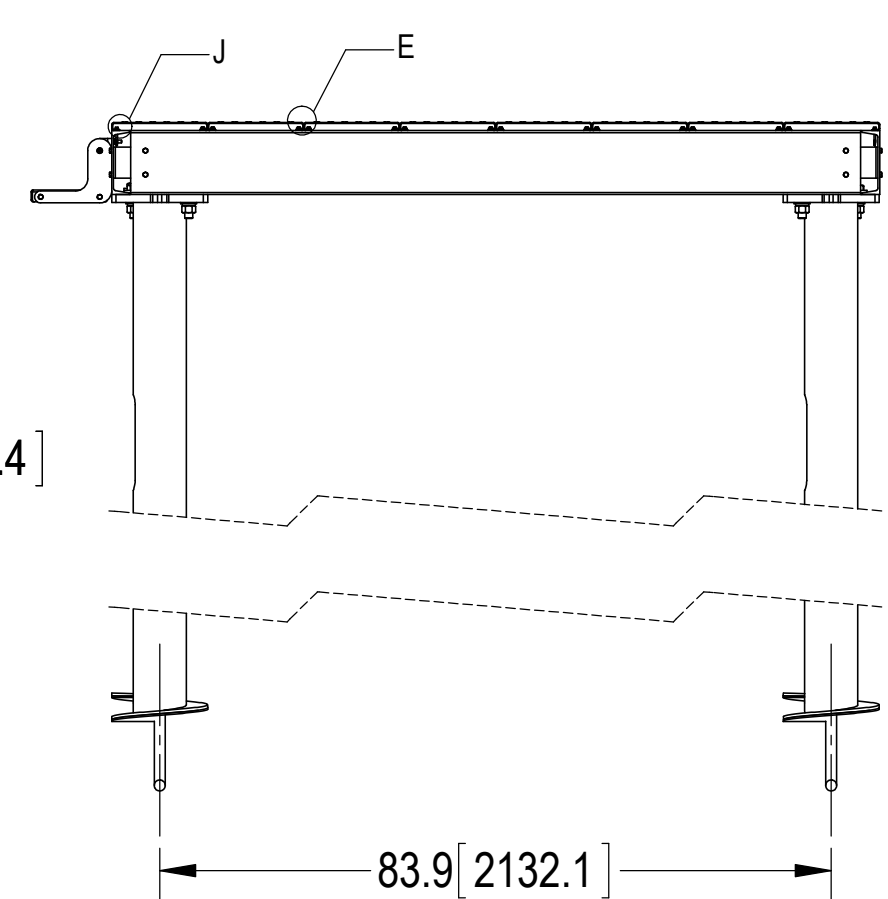
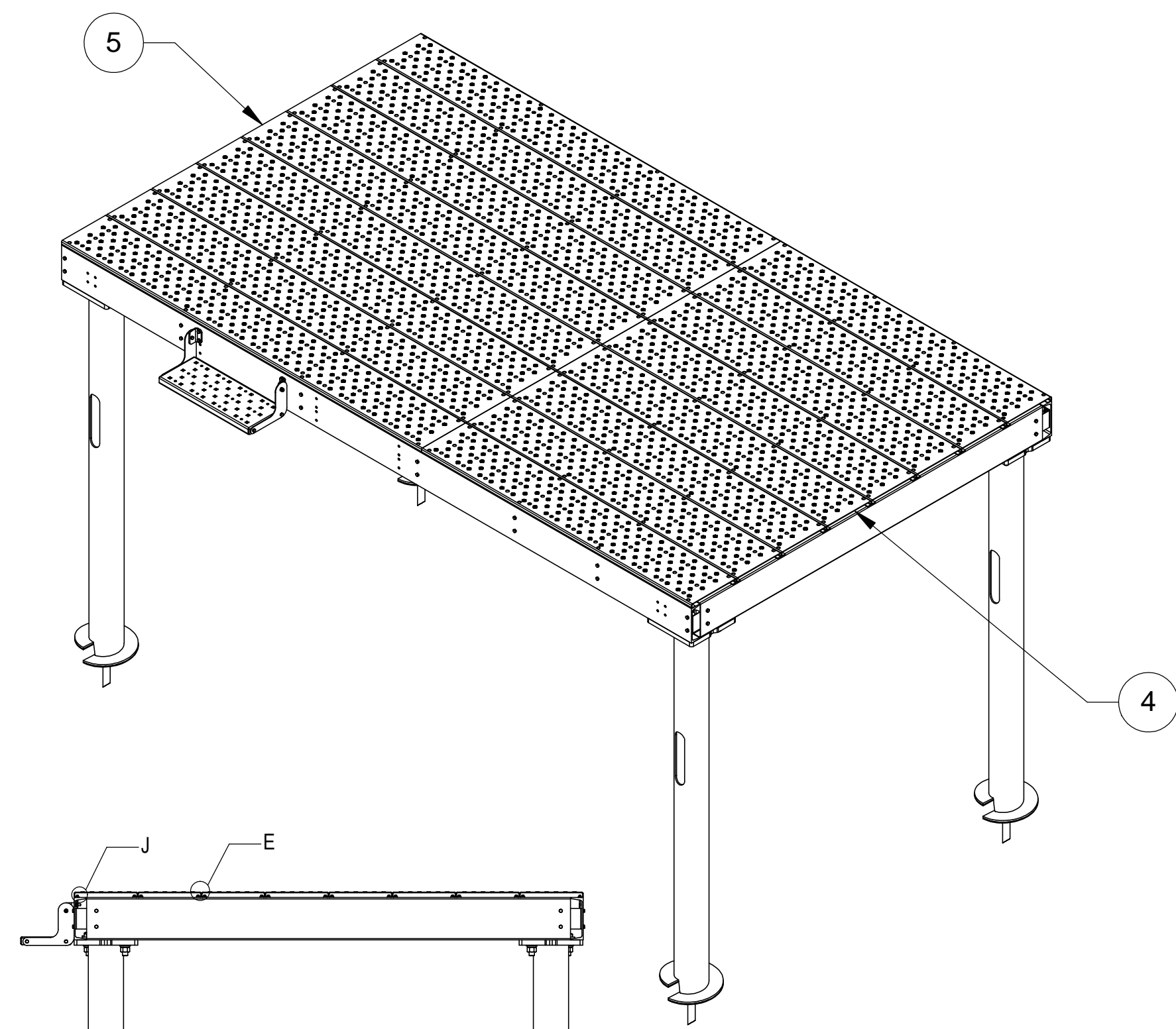
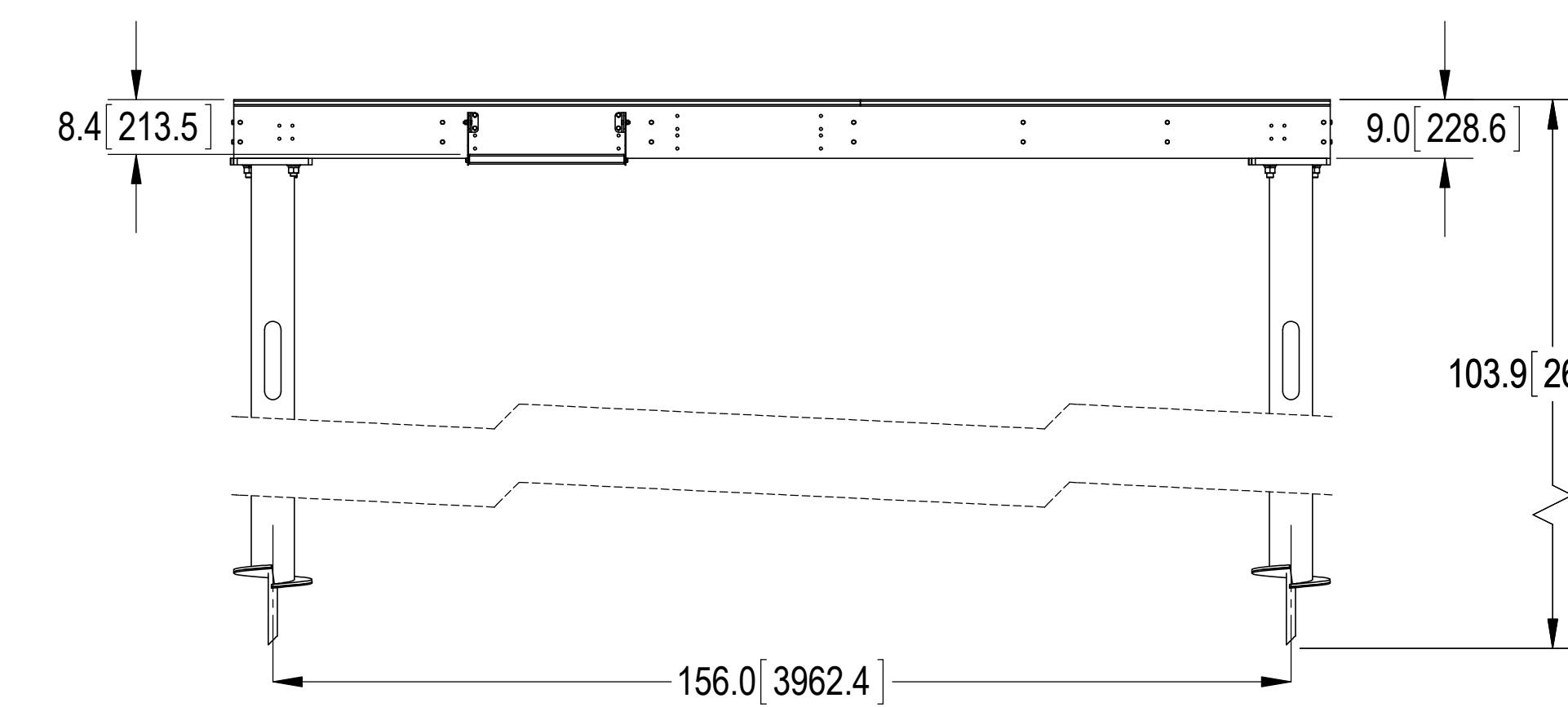
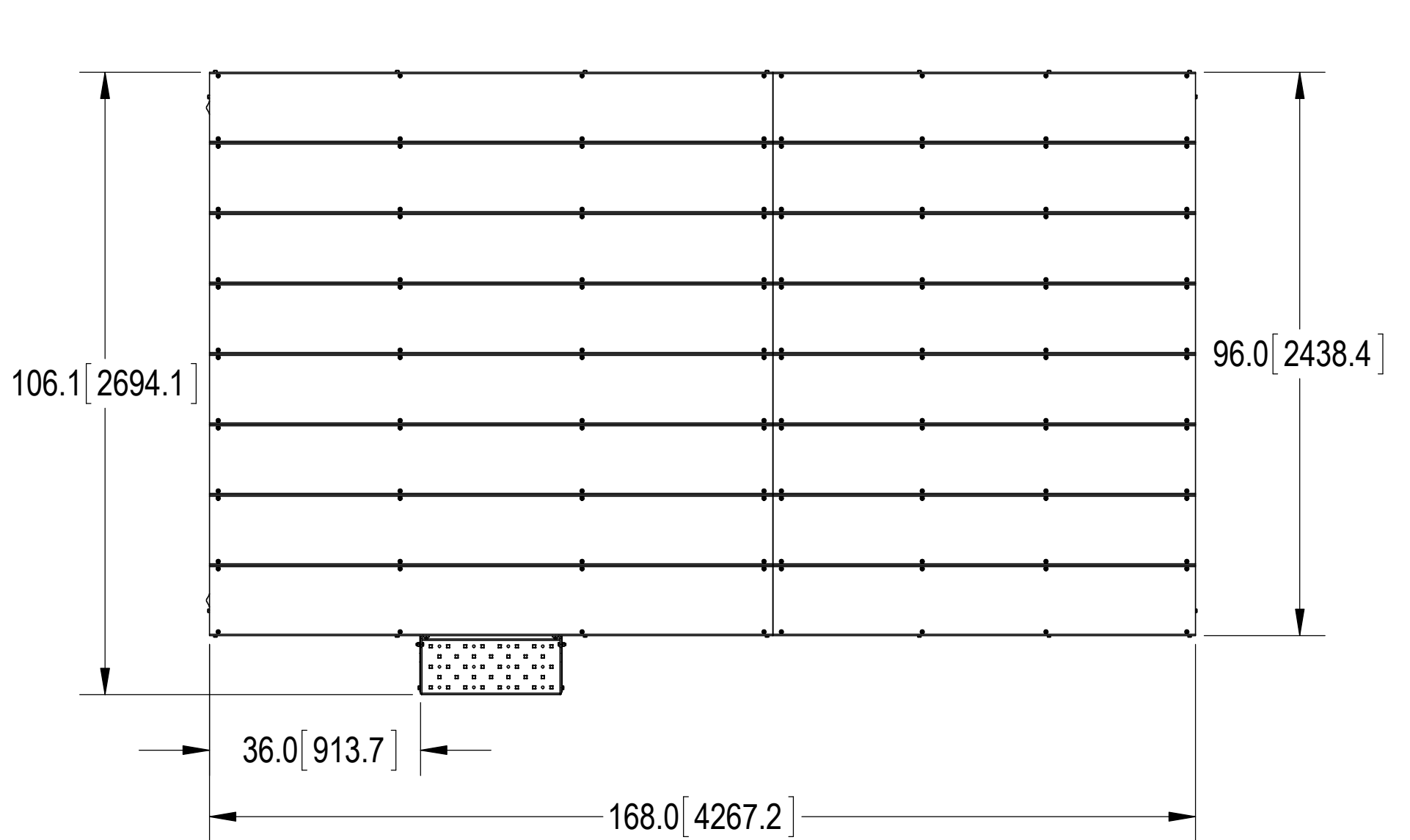
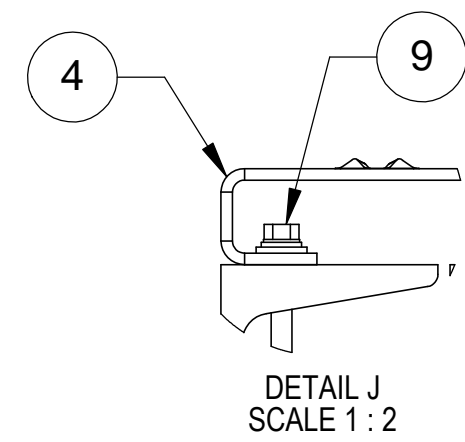


NOTES:
1.0 ALL METRIC DIMENSIONS ARE IN BRACKETS.

REV.		ECN	REVISIONS		BY	DATE
A		8000028414	DESCRIPTION	INITIAL RELEASE	RJC	02/09/18



ITEM	PART NO.	DESCRIPTION	QTY.	WEIGHT	NOTE NO.
1	MTC398901	CHANNEL, 14' PLATFORM	2	157.50 LBS	
2	MTC398902	CHANNEL, FORMED 8" X 8" PLATFORM	8	34.98 LBS	
3	MTC398905	BRACKET, CHANNEL ADAPTER	14	0.82 LBS	
4	MTC398972	DECK, FORMED	8	35.60 LBS	
5	MTC398996	DECK, 8' FORMED	8	47.49 LBS	
6	MTC3922S	STEP FOR LIGHT DUTY PLATFORM	1	15.01 LBS	
7	GB-03105	3/8" X 1" GALV BOLT KIT	56	0.05 LBS	
8	GB-03145	3/8" X 1-1/2" GALV BOLT KIT	4	0.07 LBS	
9	TS1220	12-24 X 2" SELF DRILLING SCREW	16	0.03 LBS	
10	TS1275	TEK SCREW #12 X 3/4, WITH NEOPRENE WASHER	112	0.02 LBS	
11	MTC3989HA07	ANCHOR, HELICAL	4	173.12	
12	MTC397901	PINCH PLATE	4	0.90 LBS	
13	MTC397902	PINCH PLATE, LONG	4	2.84 LBS	
14	GB-0828A	1"-8 X 3-1/2" GALV BOLT KIT (A325)	12	1.10 LBS	
15	GWF-08	1" Galv Flat Washer	16	0.09 LBS	



DENSITY	0.28	lbs/in ³
MASS	2044.01	lbs
VOLUME		in ³
SURFACE AREA		in ²
HEIGHT		
LENGTH		
WIDTH		

COMMSCOPE, INC. OF NORTH CAROLINA

TOLERANCES
0 PLACE X ± .25 2 PLACE .XX ± .06
1 PLACE .X ± .12 ANGLES ± 2°

SAP MATERIAL MASTER
MTC3989AR

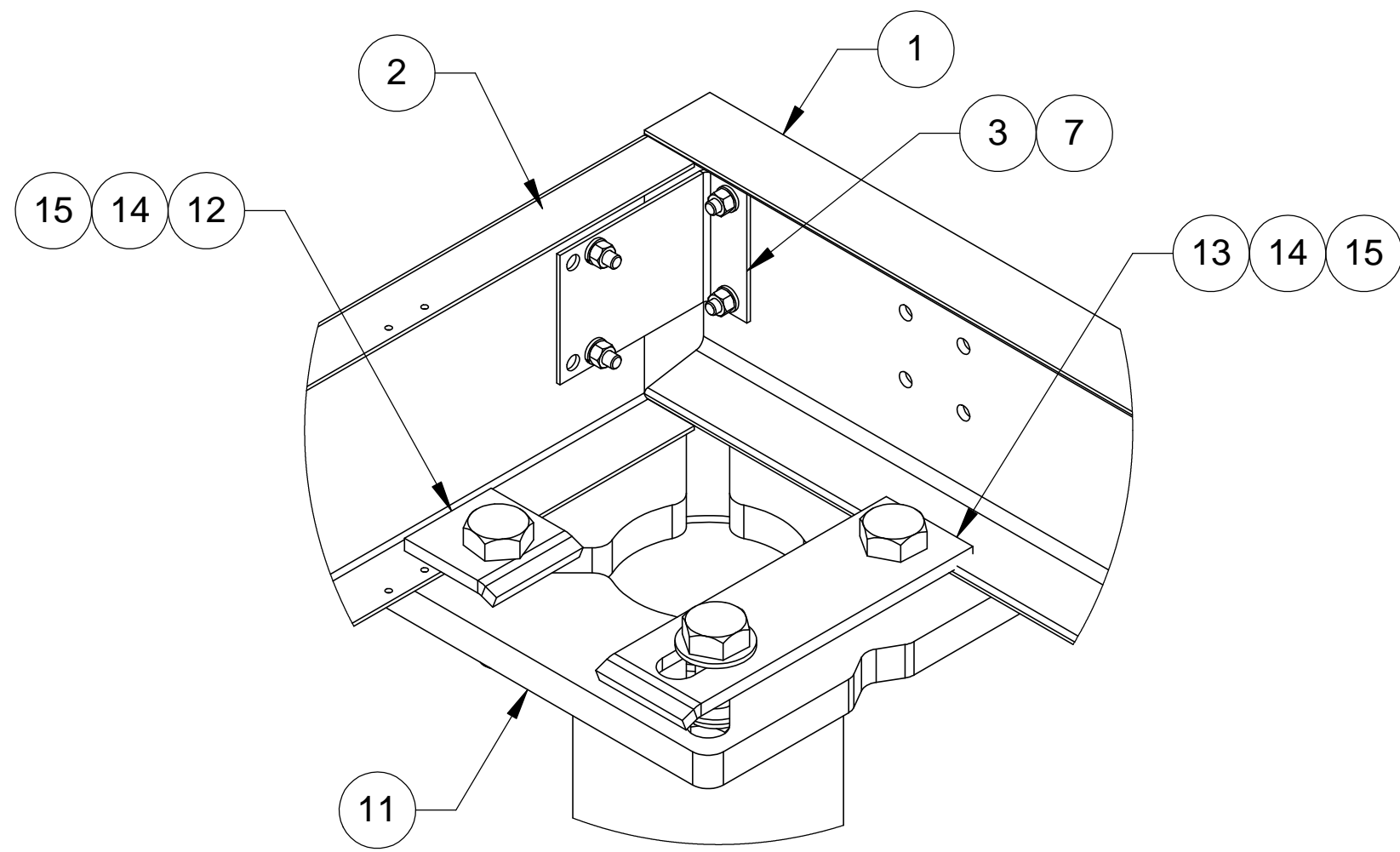
FINISH: **GALV A123** MATERIAL: **A1011/A1018, A529**

NAME	DATE	TITLE
CE RJC	11/14/17	8' X 14' PLATFORM, HELICAL ANCHORS
RW		
AD		
RE TP	11/14/17	

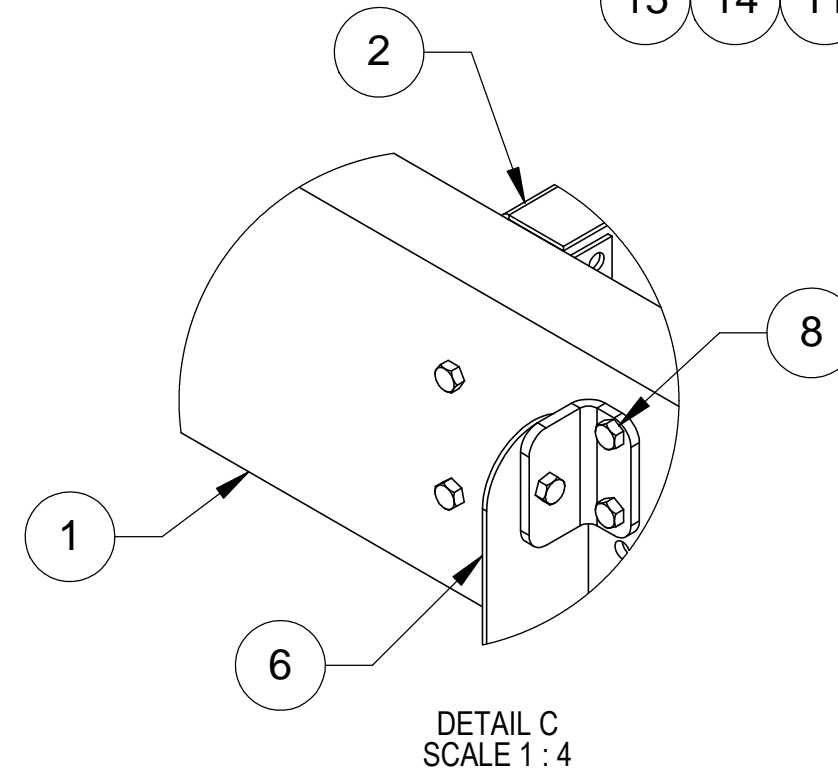
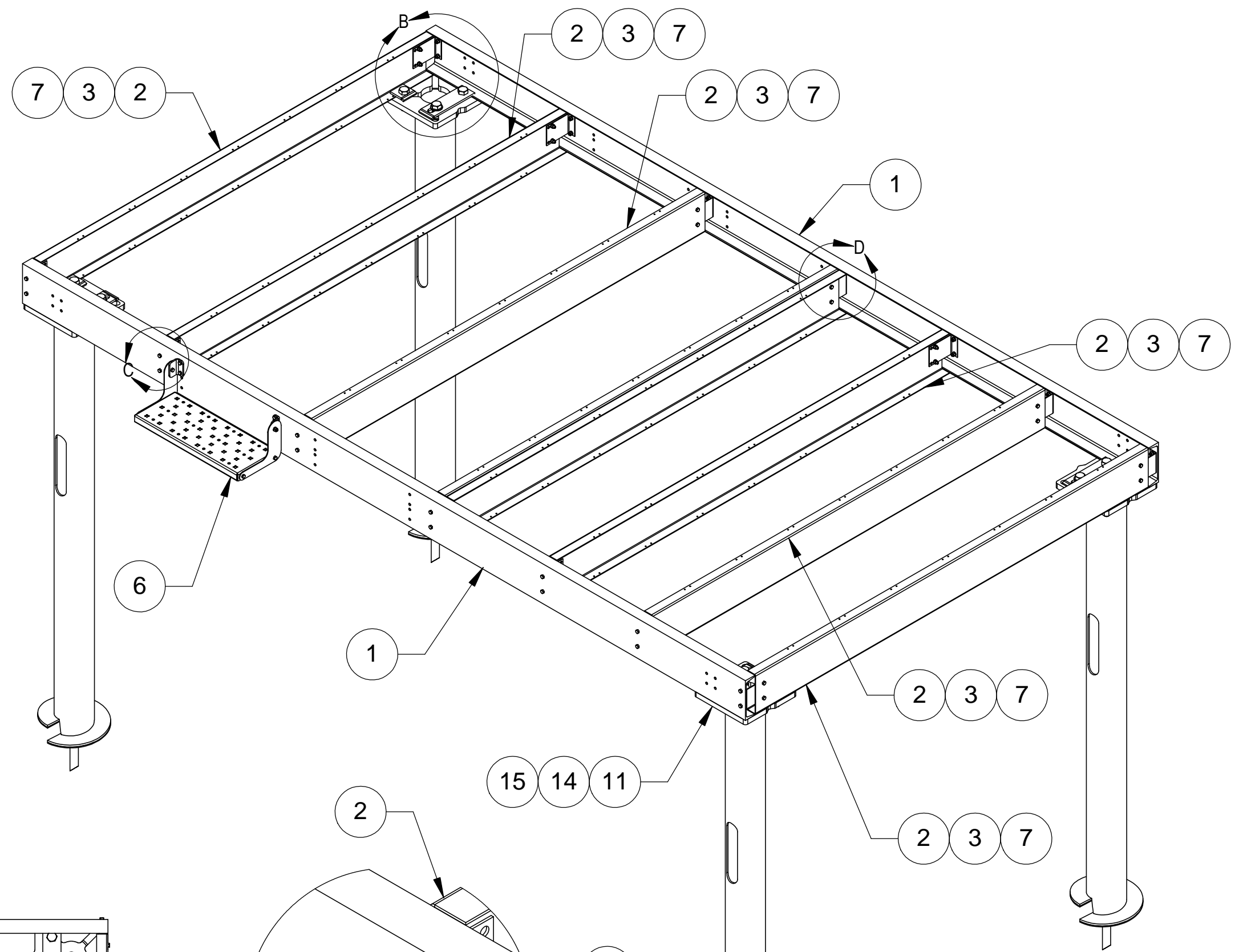
SCALE: **1:24** DOCUMENT NO.: **MTC3989AR**

SIZE	WORK AREA	MODEL	DRAWING			SHEET				
C			VERSION	STATUS	REVISION	VERSION	STATUS	REVISION	A	1 OF 2

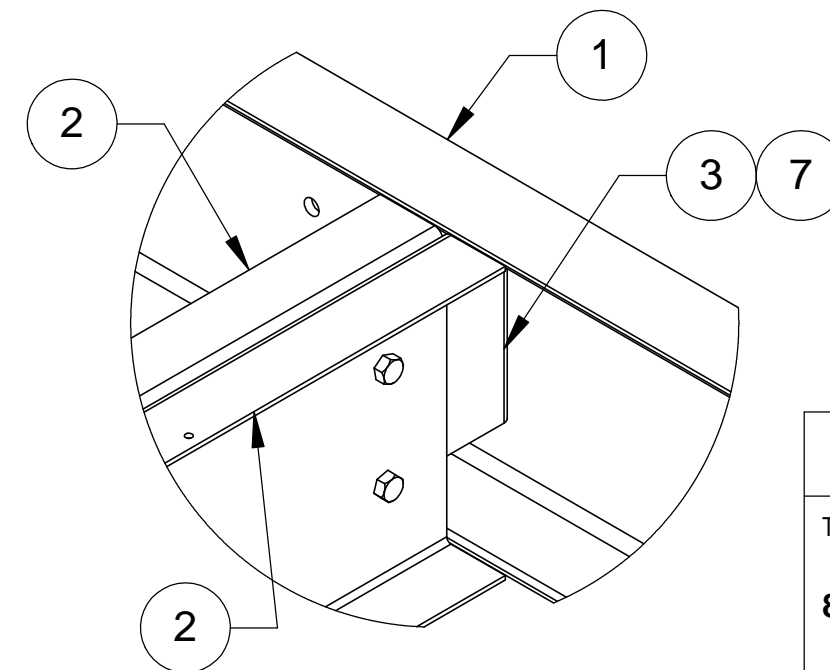
NOTES:
1.0 ALL METRIC DIMENSIONS ARE IN BRACKETS.



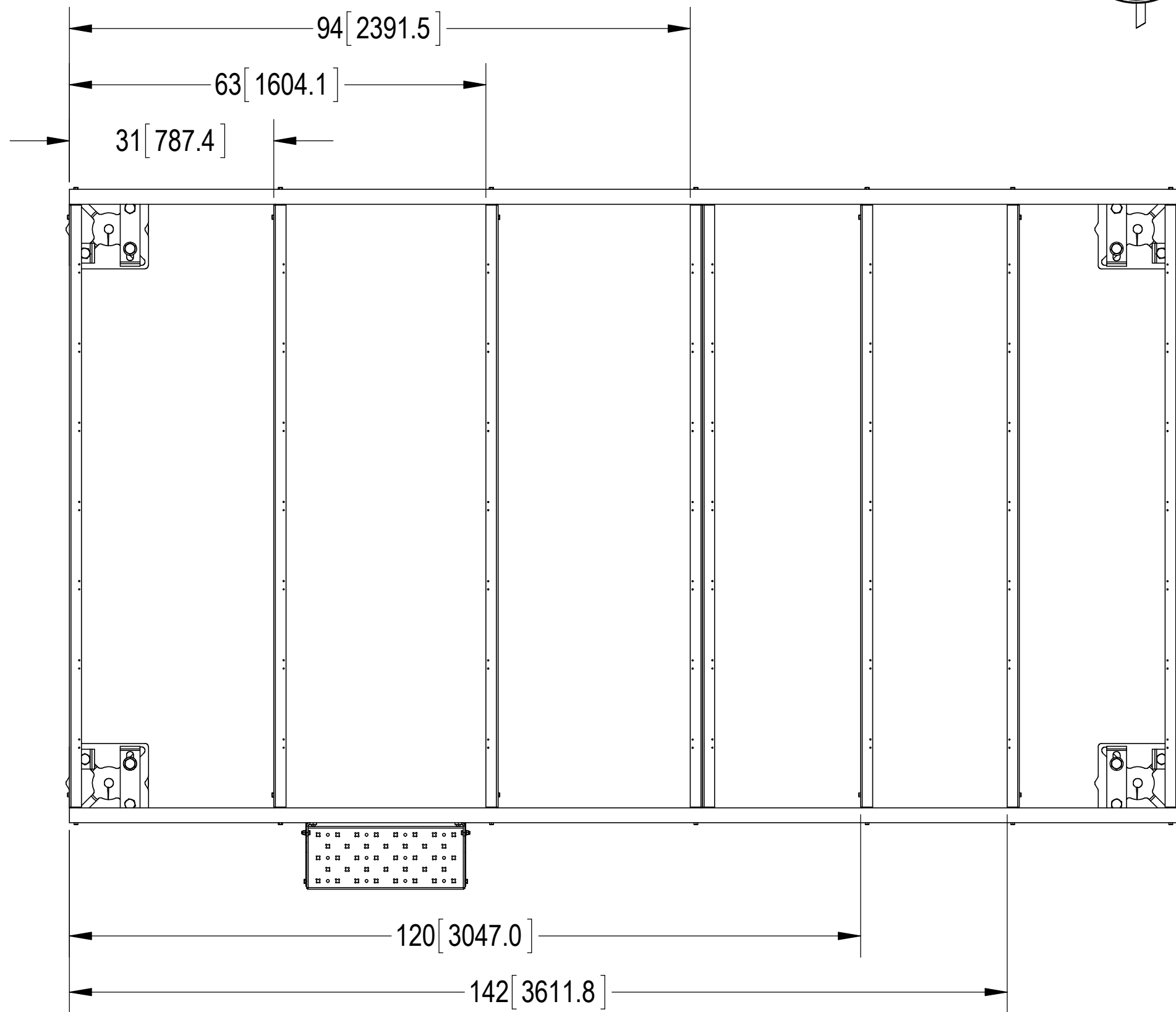
DETAIL B
SCALE 1:4



DETAIL C
SCALE 1:4



DETAIL D
SCALE 1:4



COMMSCOPE, INC. OF NORTH CAROLINA				
TITLE 8' X 14' PLATFORM, HELICAL ANCHORS				
SIZE C	SCALE 1:18	DOCUMENT NO. MTC3989AR		
		DRAWING		SHEET
		VERSION	STATUS	REVISION
				A
				SHEET 2 OF 2