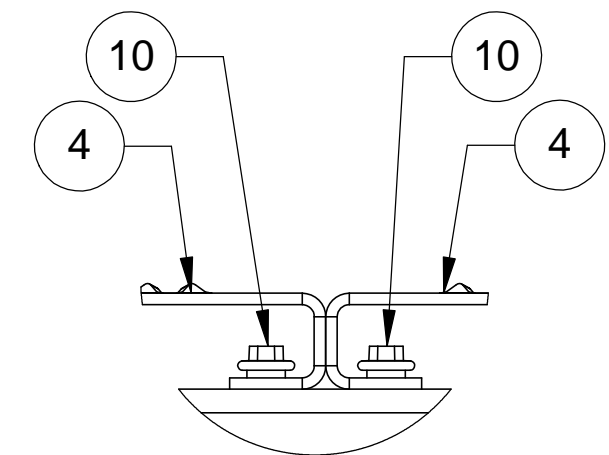
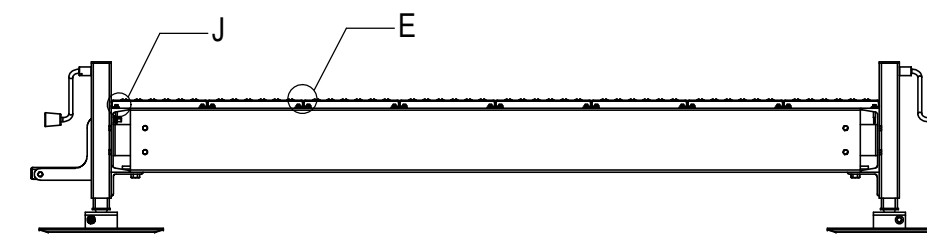
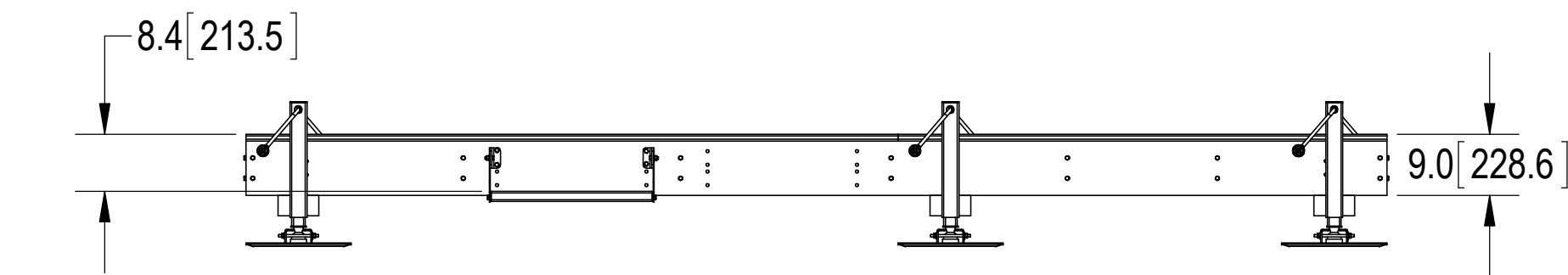
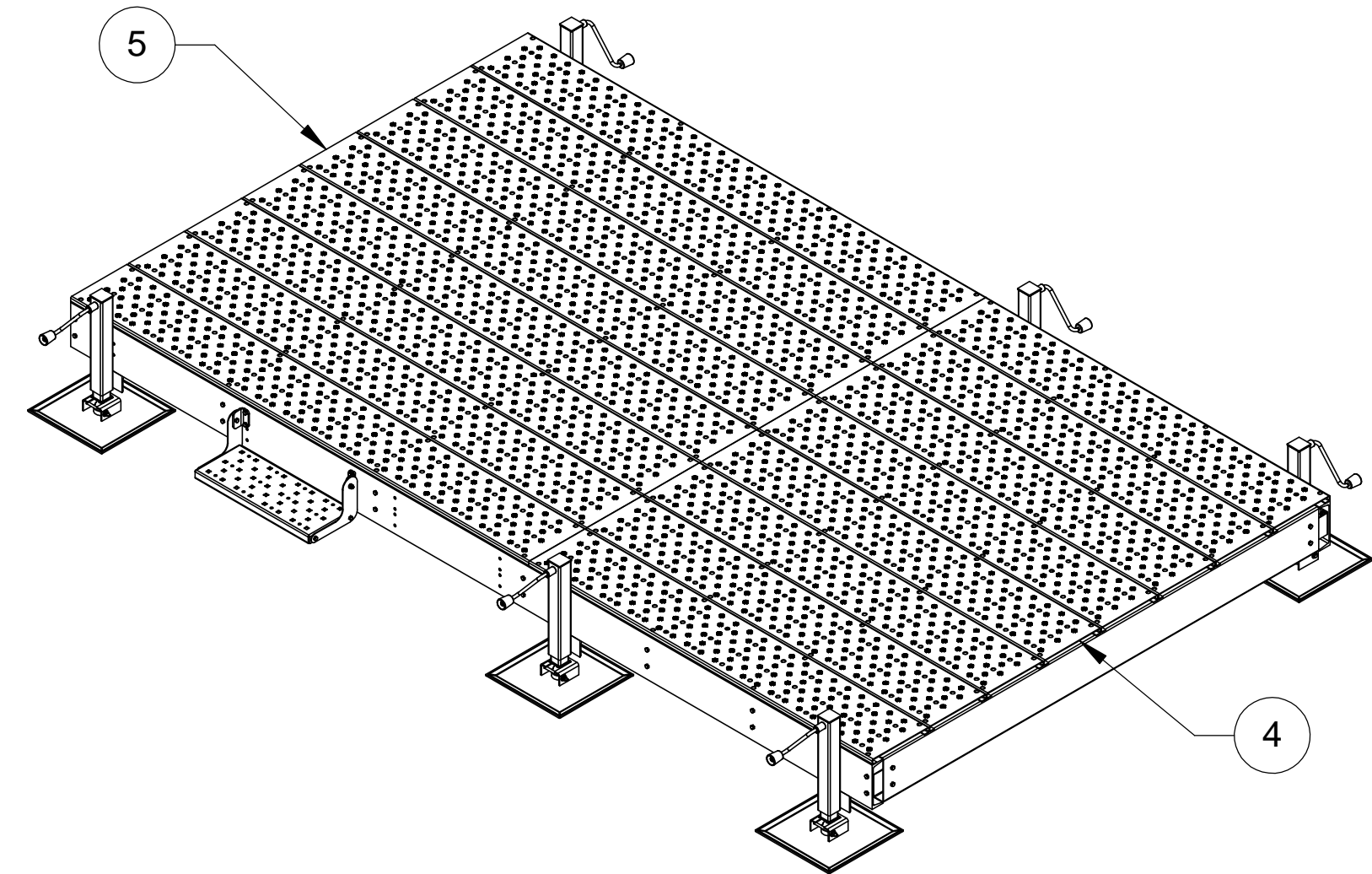
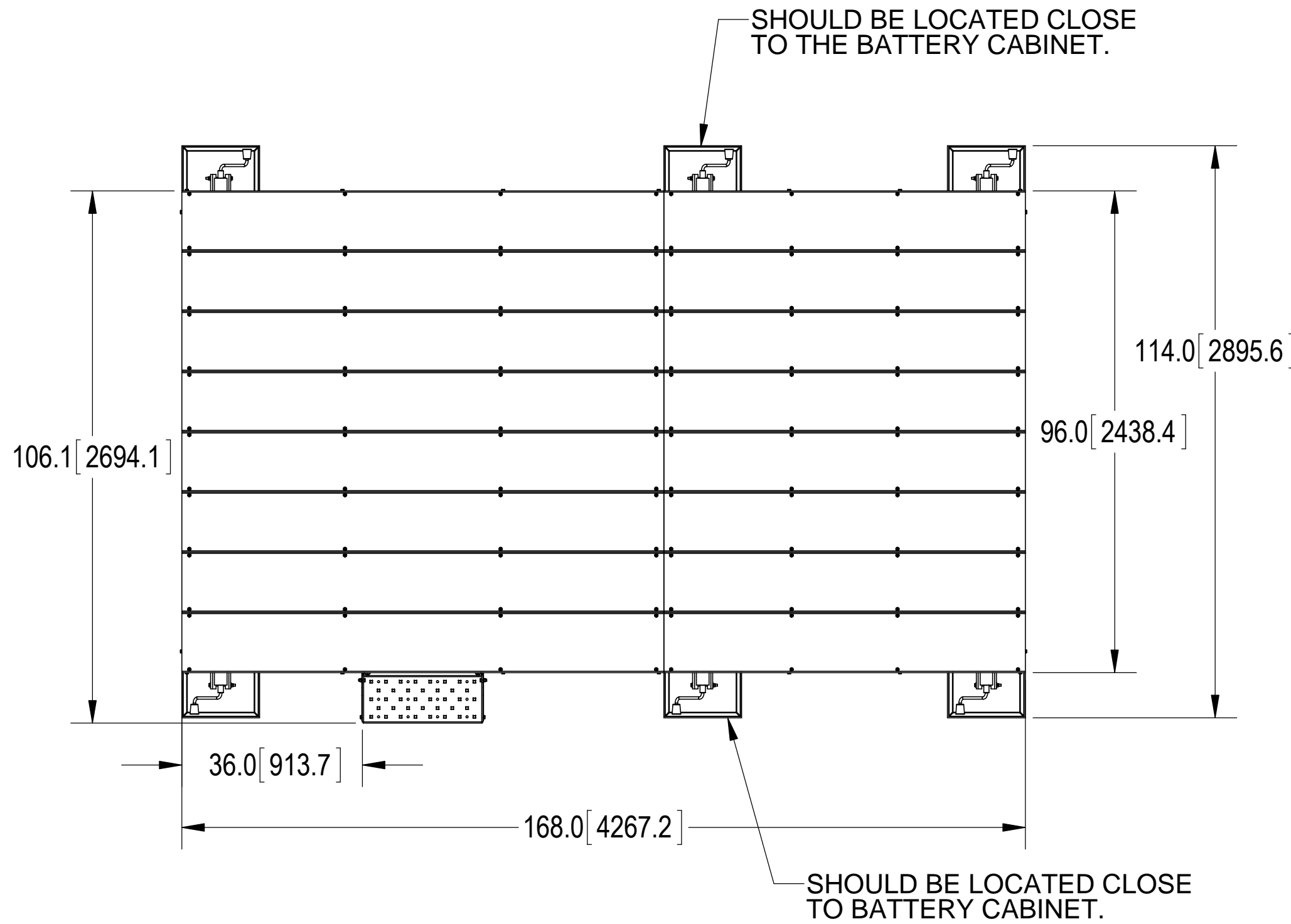
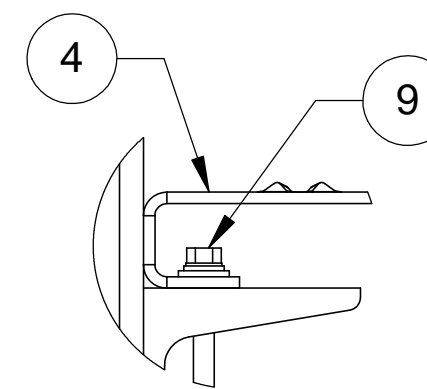


NOTES:  
1.0 ALL METRIC DIMENSIONS ARE IN BRACKETS.

REVISIONS				
REV.	ECN	DESCRIPTION	BY	DATE
A	8000028414	INITIAL RELEASE	RJC	02/19/18



DETAIL E  
SCALE 1:2



DETAIL J  
SCALE 1:2

ITEM	PART NO.	DESCRIPTION	QTY.	WEIGHT	NOTE NO.
1	MTC398901	CHANNEL, 14' PLATFORM	2	157.50 LBS	
2	MTC398902	CHANNEL, FORMED 8" X 8" PLATFORM	8	34.98 LBS	
3	MTC398905	BRACKET, CHANNEL ADAPTER	14	0.82 LBS	
4	MTC398972	DECK, FORMED	8	35.60 LBS	
5	MTC398996	DECK, 8' FORMED	8	47.49 LBS	
6	MTC3922S	STEP FOR LIGHT DUTY PLATFORM	1	15.01 LBS	
7	GB-03105	3/8" X 1" GALV BOLT KIT	56	0.05 LBS	
8	GB-03145	3/8" X 1-1/2" GALV BOLT KIT	4	0.07 LBS	
9	TS1220	12-24 X 2" SELF DRILLING SCREW	16	0.03 LBS	
10	TS1275	TEK SCREW #12 X 3/4, WITH NEOPRENE WASHER	112	0.02 LBS	
11	EQ-P-AL	ADJ. LEG FOR EQ. PLATFORM	6	56 LBS	

<b>COMMSCOPE, INC. OF NORTH CAROLINA</b>					
TOLERANCES			SAP MATERIAL MASTER		
0 PLACE	X ± .25	2 PLACE	.XX ± .06	<b>MTC3989DF</b>	
1 PLACE	.X ± .12	ANGLES	± 2°		
FINISH			MATERIAL		
<b>GALV A123</b>			<b>A1011/A1018, A529</b>		
UNLESS OTHERWISE SPECIFIED DIMENSIONS ARE IN MILLIMETERS INTERPRET PER ISO STANDARDS HANDBOOK TECHNICAL DRAWINGS VOLUMES 1 & 2, THIRD EDITION (2002)	NAME	DATE	<b>8' x 14' PLATFORM, ADJUSTABLE FEET</b>		
	CE <b>RJC</b>	11/14/17			
	RE <b>TP</b>	11/14/17	SCALE	DOCUMENT NO.	
	ECN <b>8000028414</b>		<b>1:24</b>	<b>MTC3989DF</b>	
	SIZE	WORK AREA	MODEL	DRAWING	
<b>C</b>		VERSION	STATUS	REVISION	SHEET
				<b>A</b>	<b>1 OF 2</b>

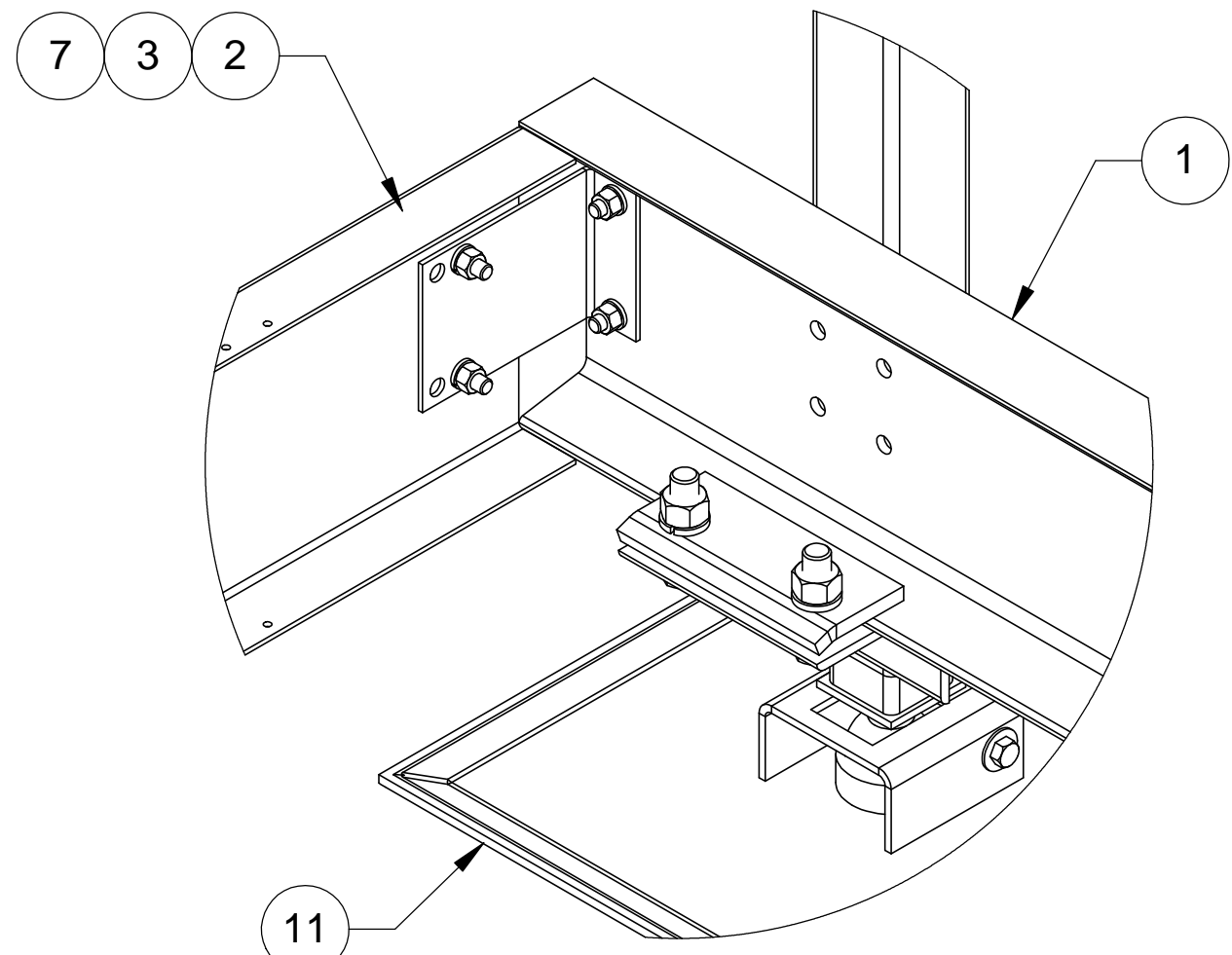
4

3

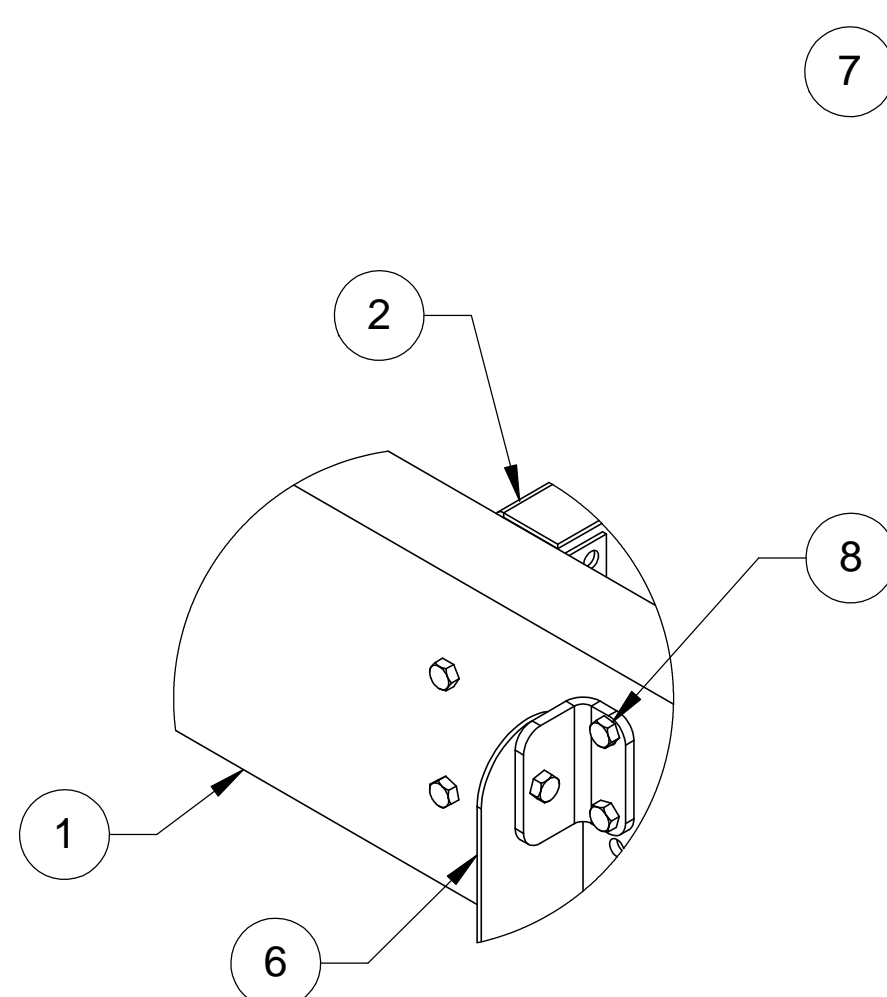
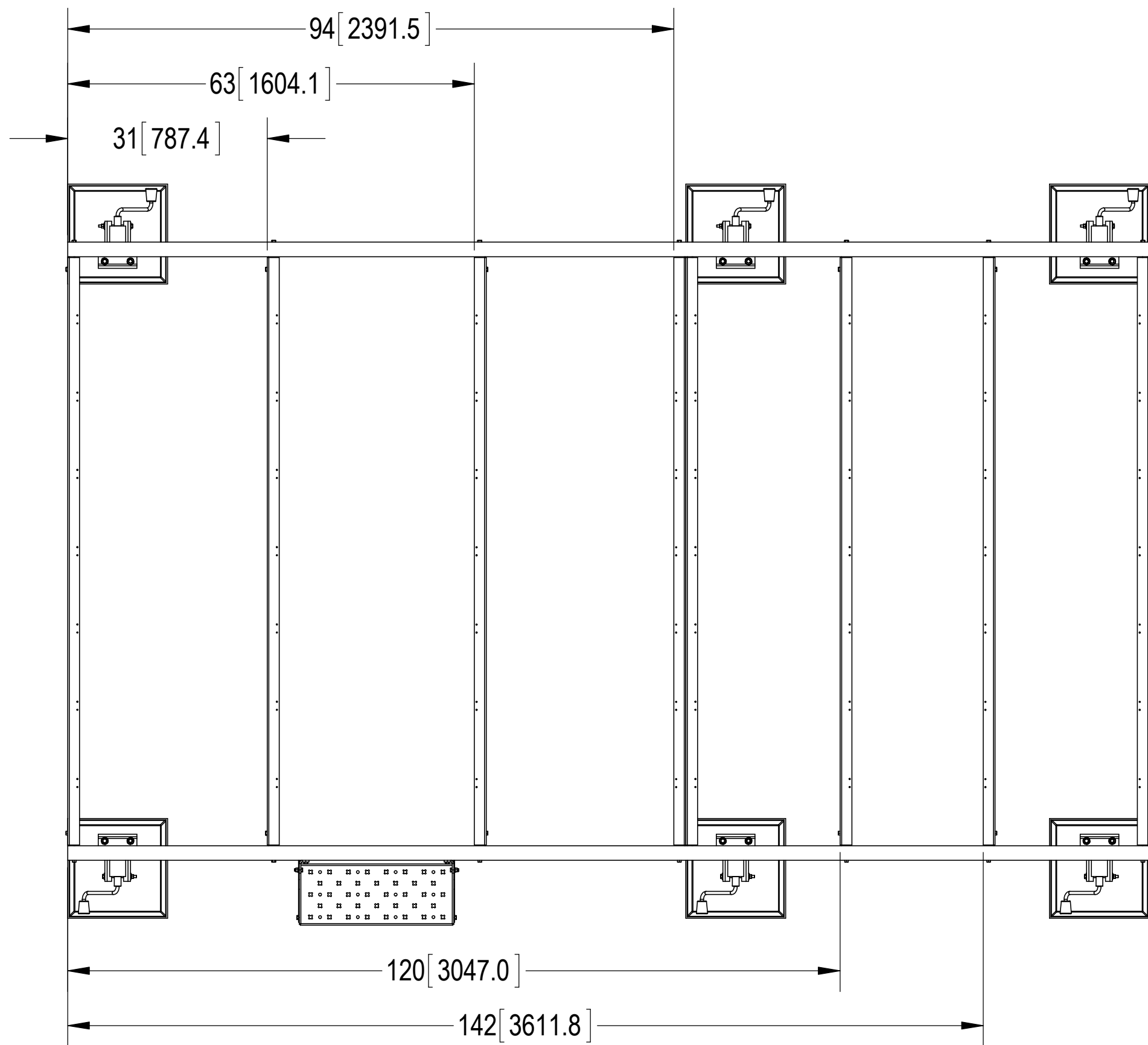
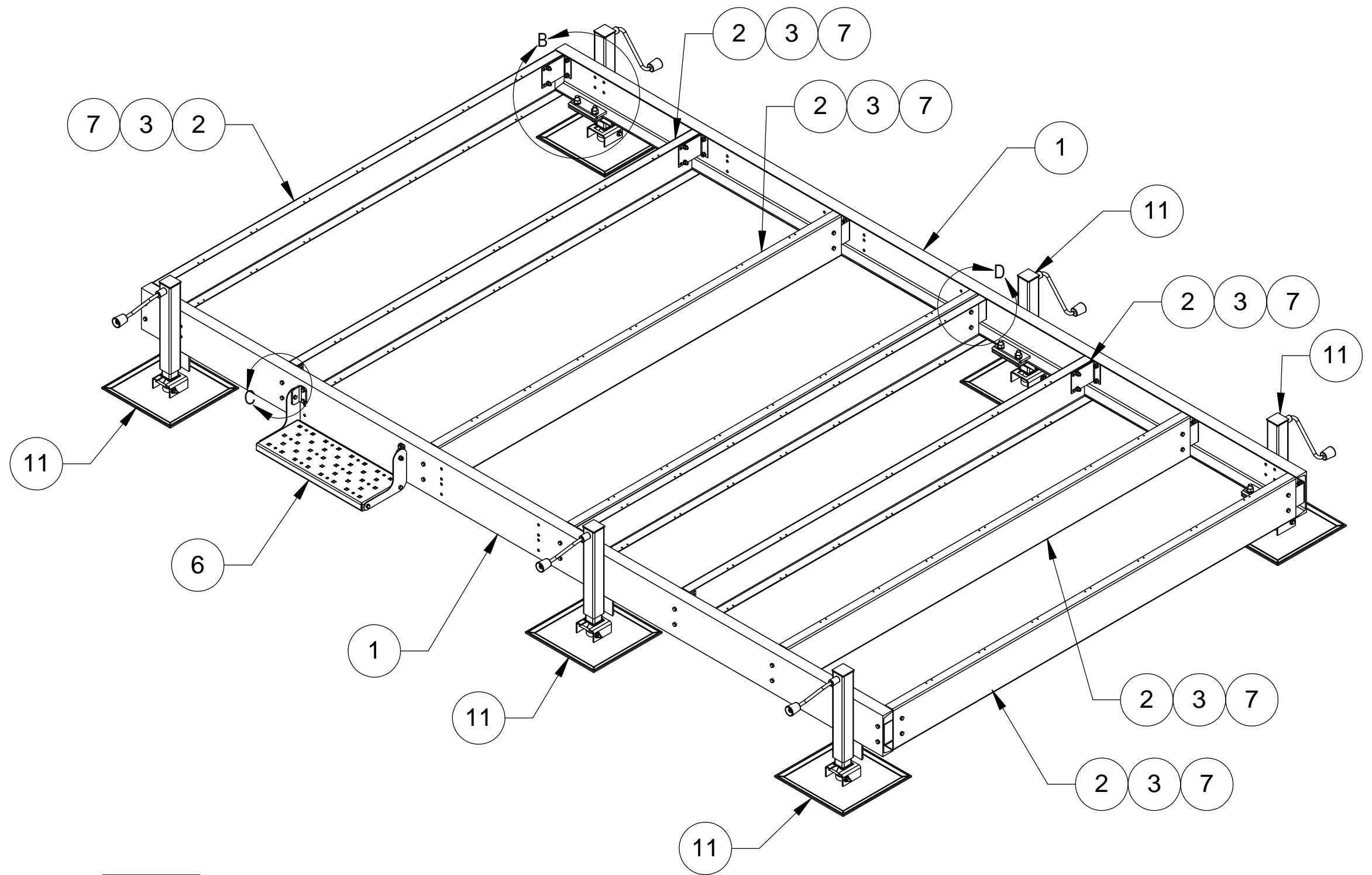
2

1

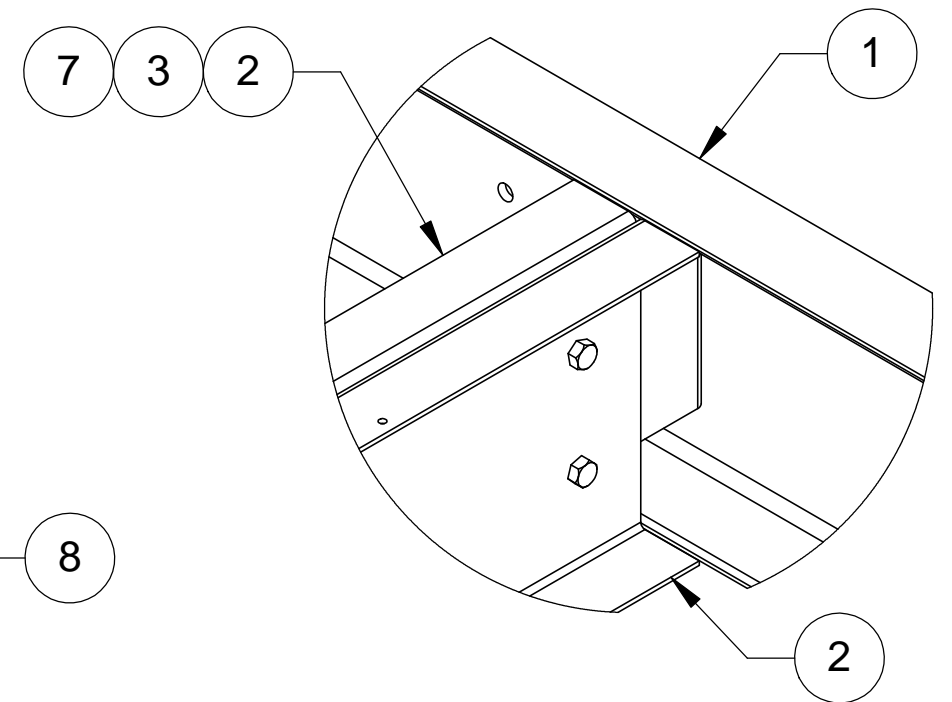
NOTES:  
1.0 ALL METRIC DIMENSIONS ARE IN BRACKETS.



DETAIL B  
SCALE 1:4



DETAIL C  
SCALE 1:4



DETAIL D  
SCALE 1:4

COMMSCOPE, INC. OF NORTH CAROLINA				
TITLE <b>8' x 14' PLATFORM, ADJUSTABLE FEET</b>				
SIZE <b>C</b>	SCALE <b>1:18</b>	DOCUMENT NO. <b>MTC3989DF</b>		
DRAWING		VERSION	STATUS	REVISION
				<b>A</b>
				SHEET 2 OF 2

© 2015 CommScope, Inc. Confidential

4

3

2

1