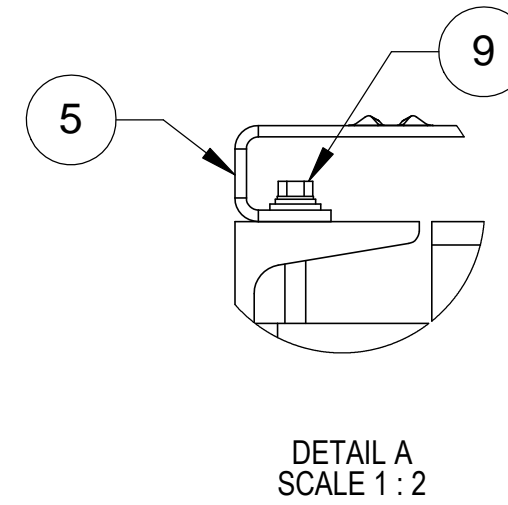
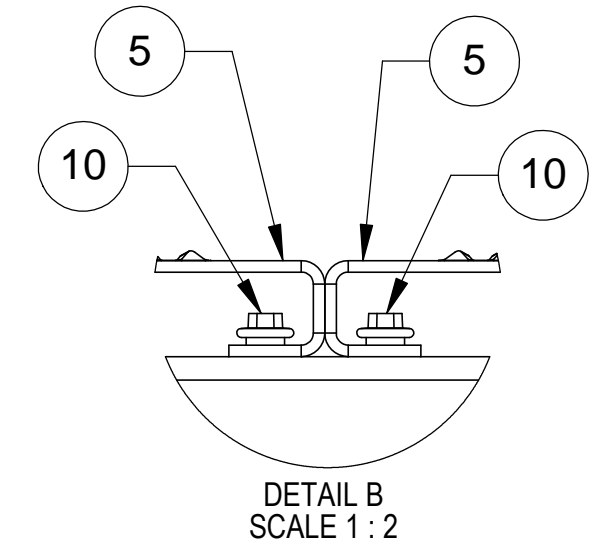
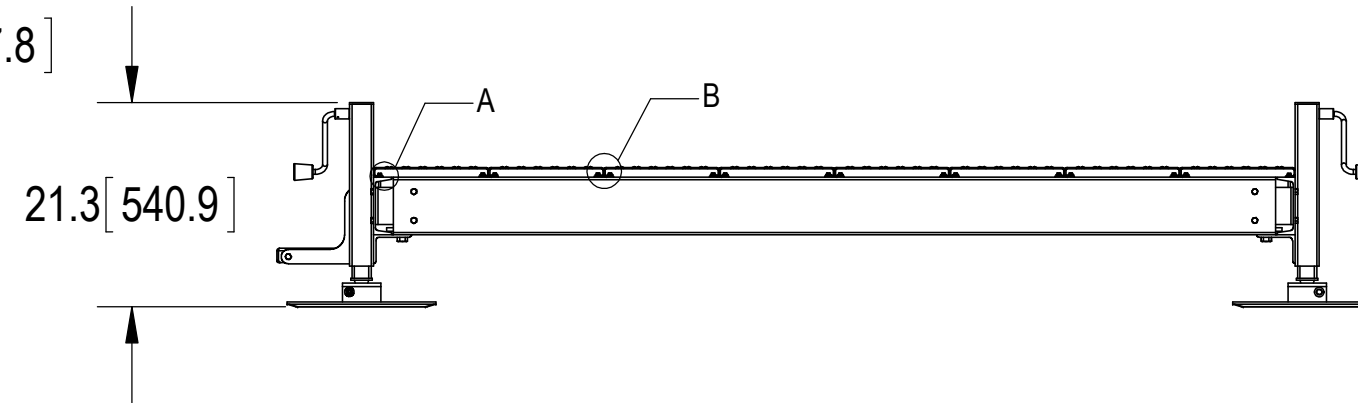
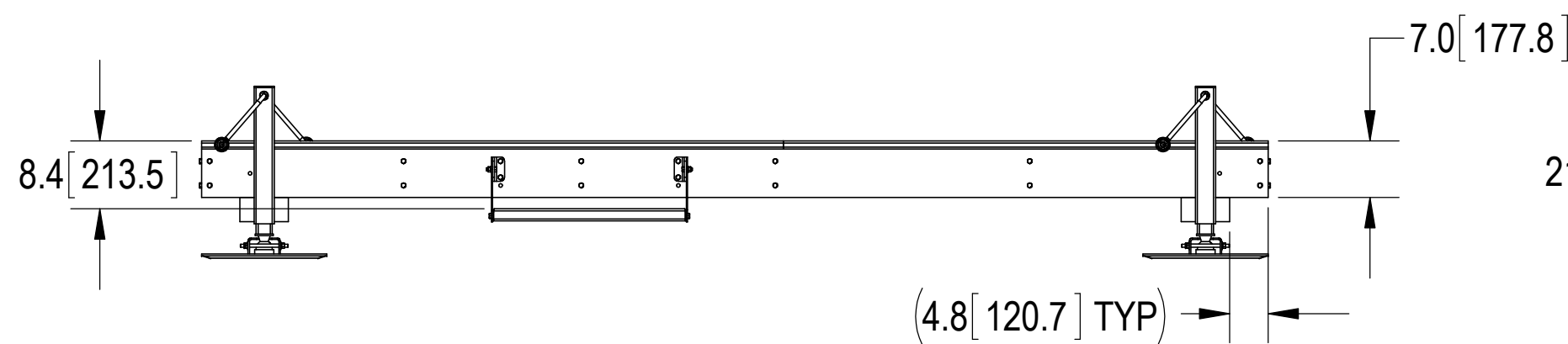
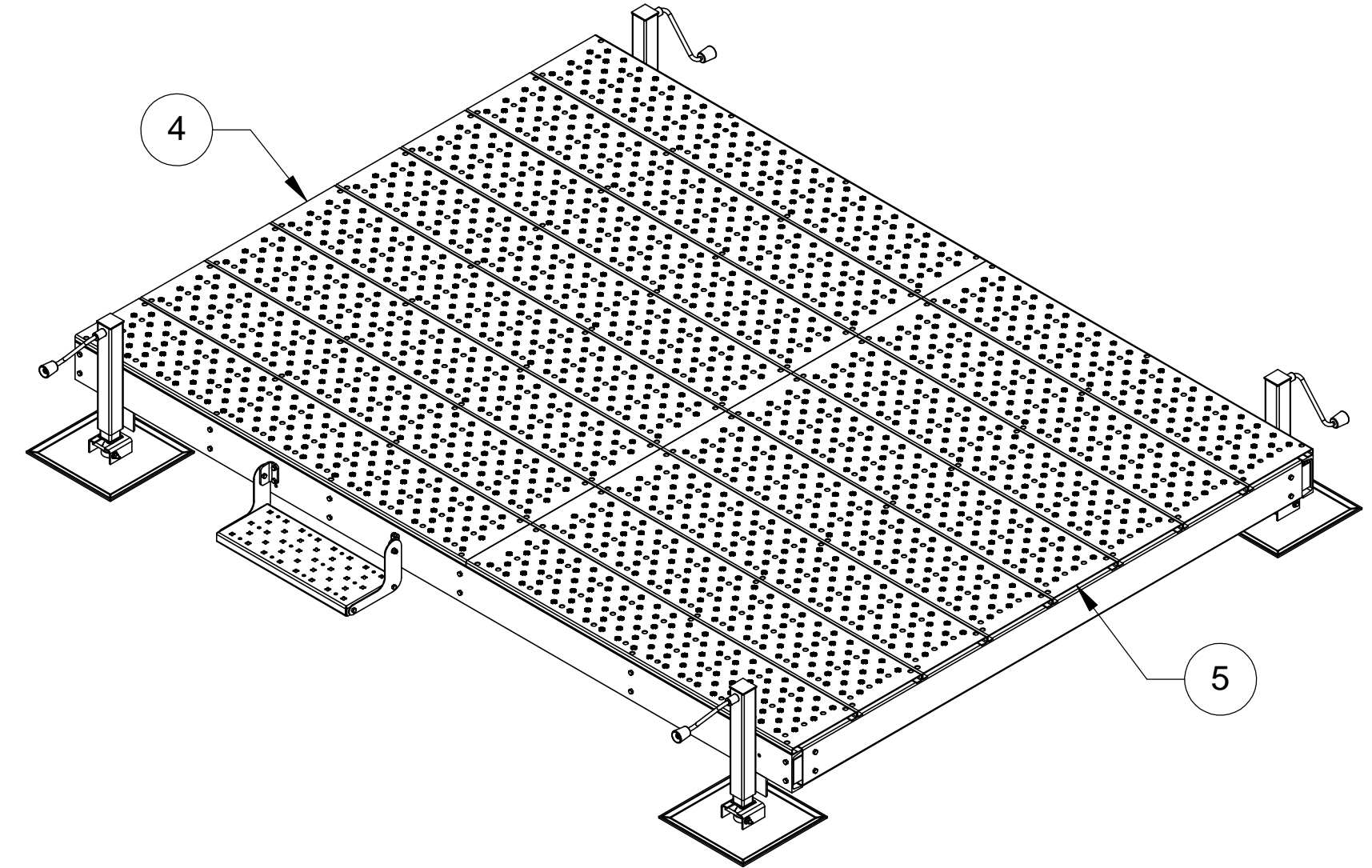
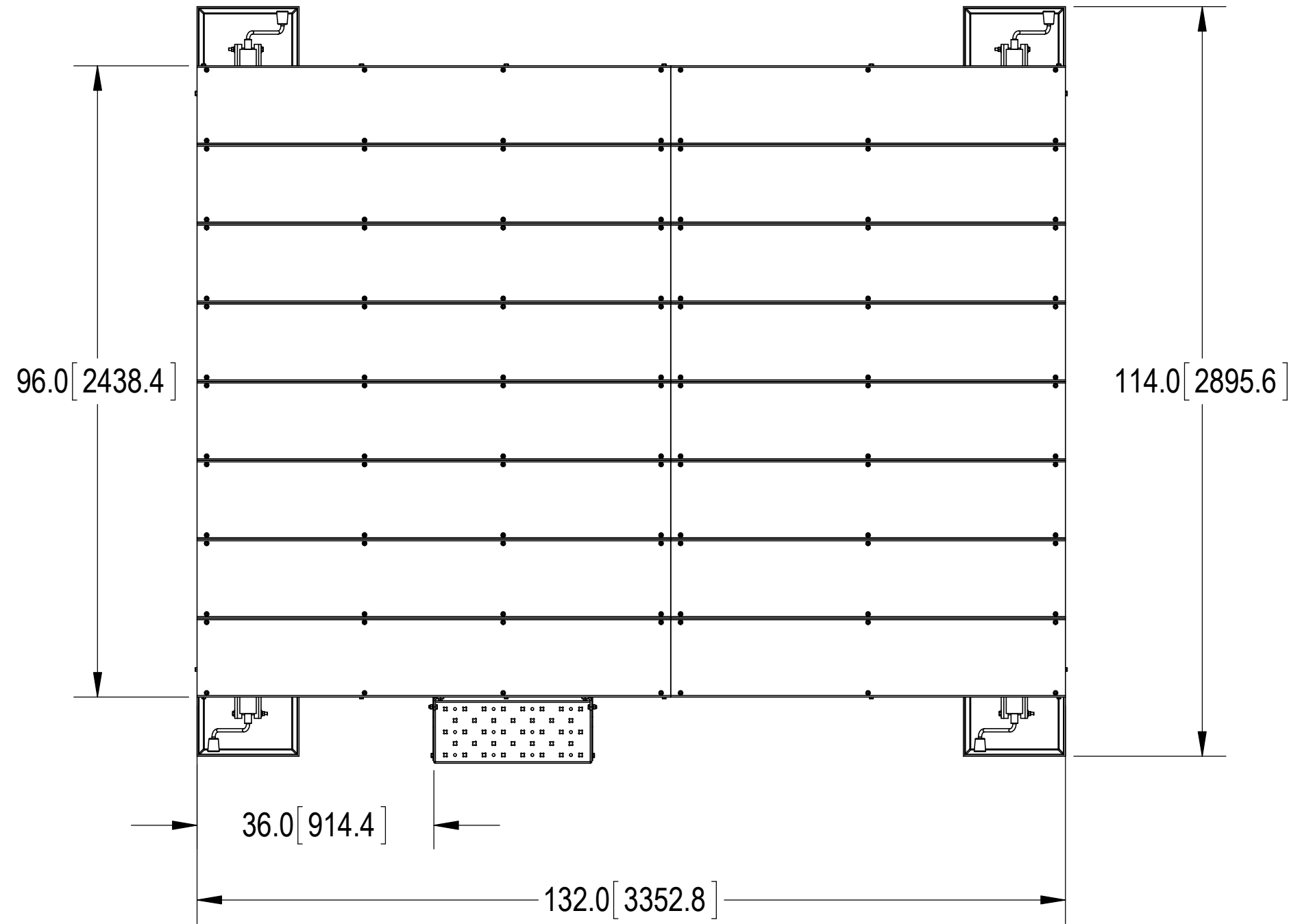


NOTES:  
1.0 ALL METRIC DIMENSIONS ARE IN BRACKETS.

REVISIONS				
REV.	ECN	DESCRIPTION	BY	DATE
A	8000028419	INITIAL RELEASE	RJC	02/20/18

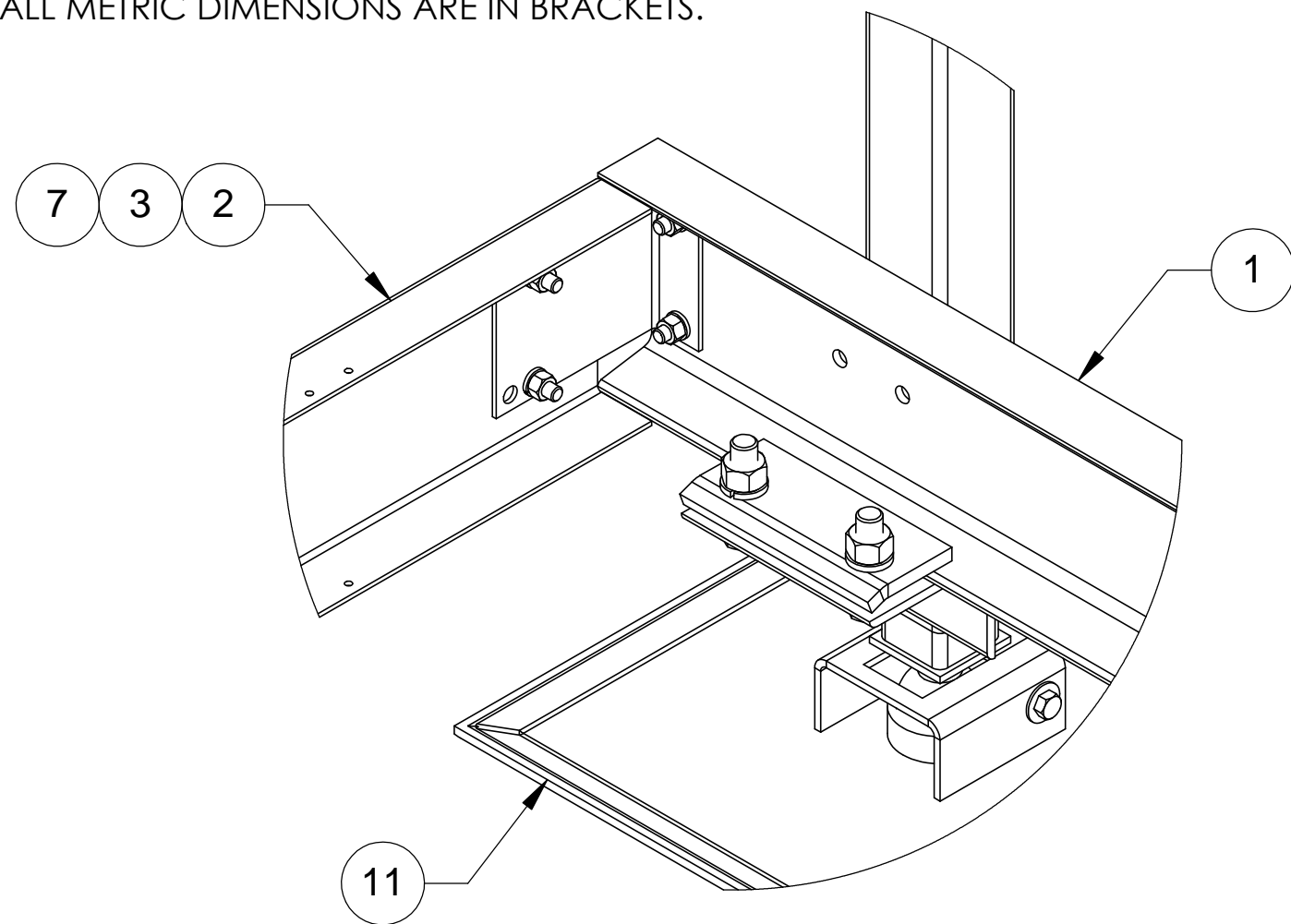


ITEM	PART NO.	DESCRIPTION	QTY.	WEIGHT	NOTE NO.
1	MTC398903	CHANNEL, 11' PLATFORM	2	90.51 LBS	
2	MTC398904	CHANNEL, FORMED 6" X 8" PLATFORM	7	28.99 LBS	
3	MTC398905	BRACKET, CHANNEL ADAPTER	12	0.82 LBS	
4	MTC398972	DECK, FORMED	8	35.60 LBS	
5	MTC398960	DECK, 5' FORMED	8	29.70 LBS	
6	MTC3922S	STEP FOR LIGHT DUTY PLATFORM	1	15.01 LBS	
7	GB-03105	3/8" X 1" GALV BOLT KIT	48	0.05 LBS	
8	GB-03145	3/8" X 1-1/2" GALV BOLT KIT	4	0.07 LBS	
9	TS1220	12-24 X 2" SELF DRILLING SCREW	14	0.03 LBS	
10	TS1275	TEK SCREW #12 X 3/4, WITH NEOPRENE WASHER	98	0.02 LBS	
11	EQ-P-AL	ADJ. LEG FOR EQ. PLATFORM	4	56 LBS	

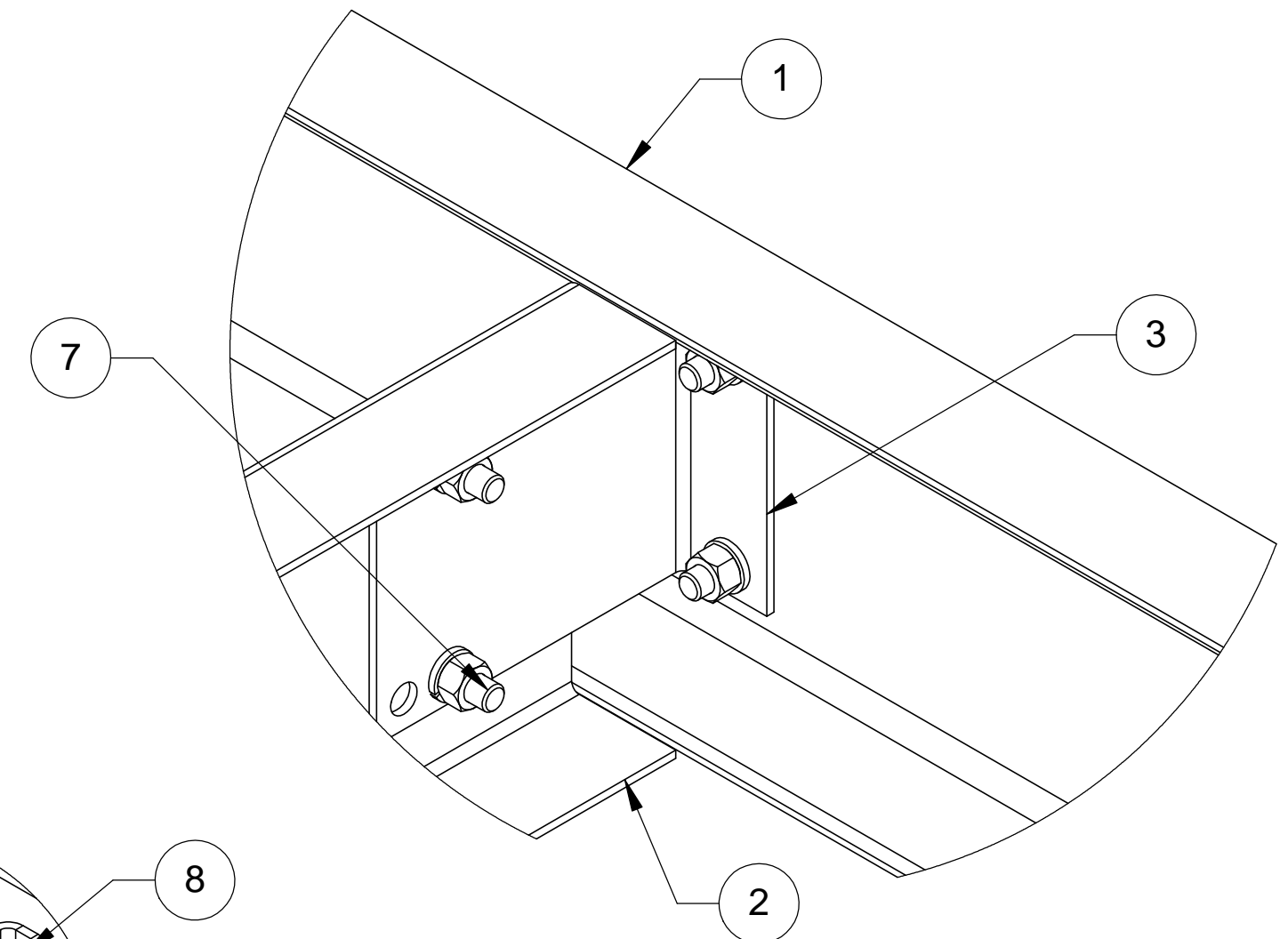
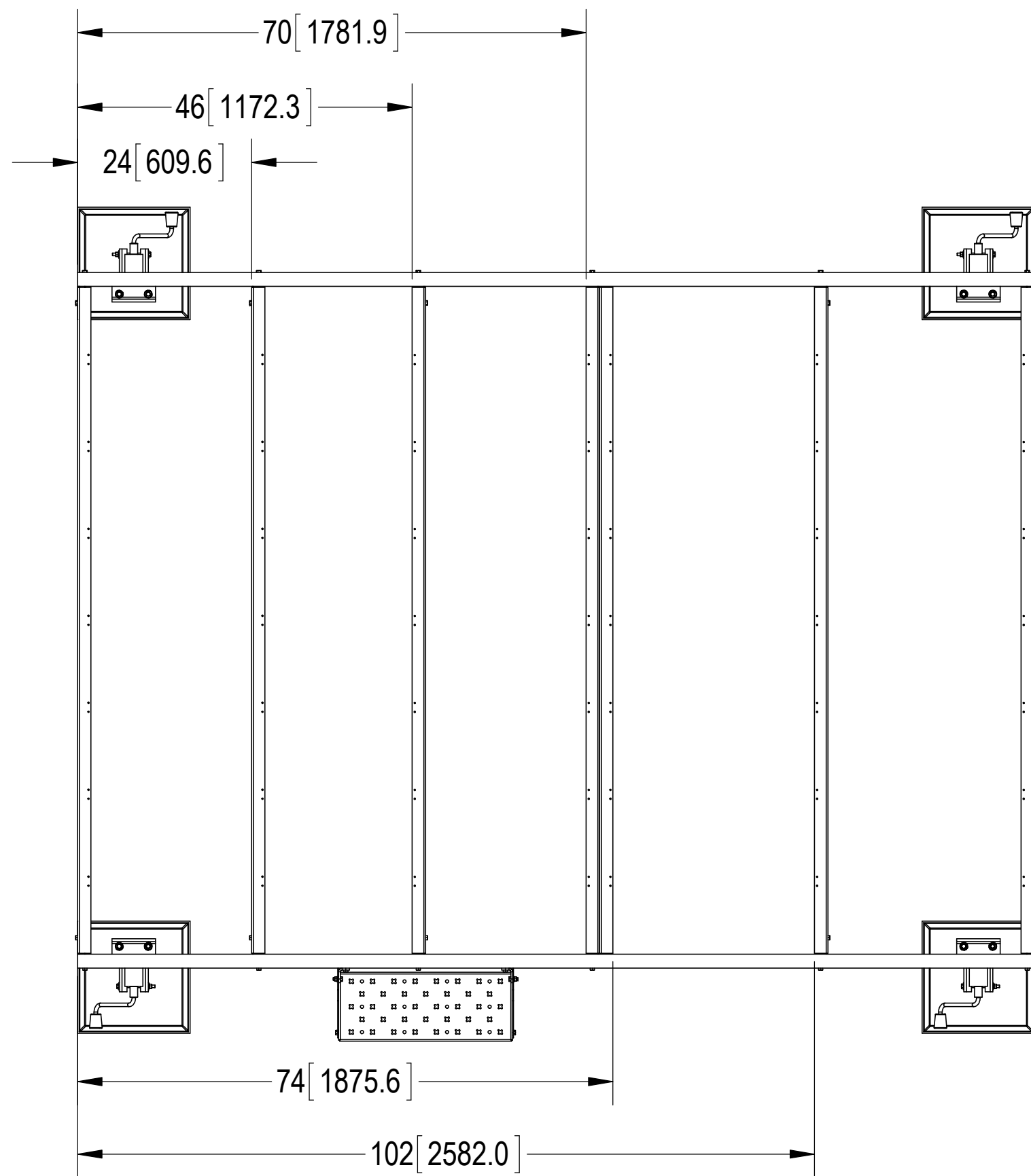
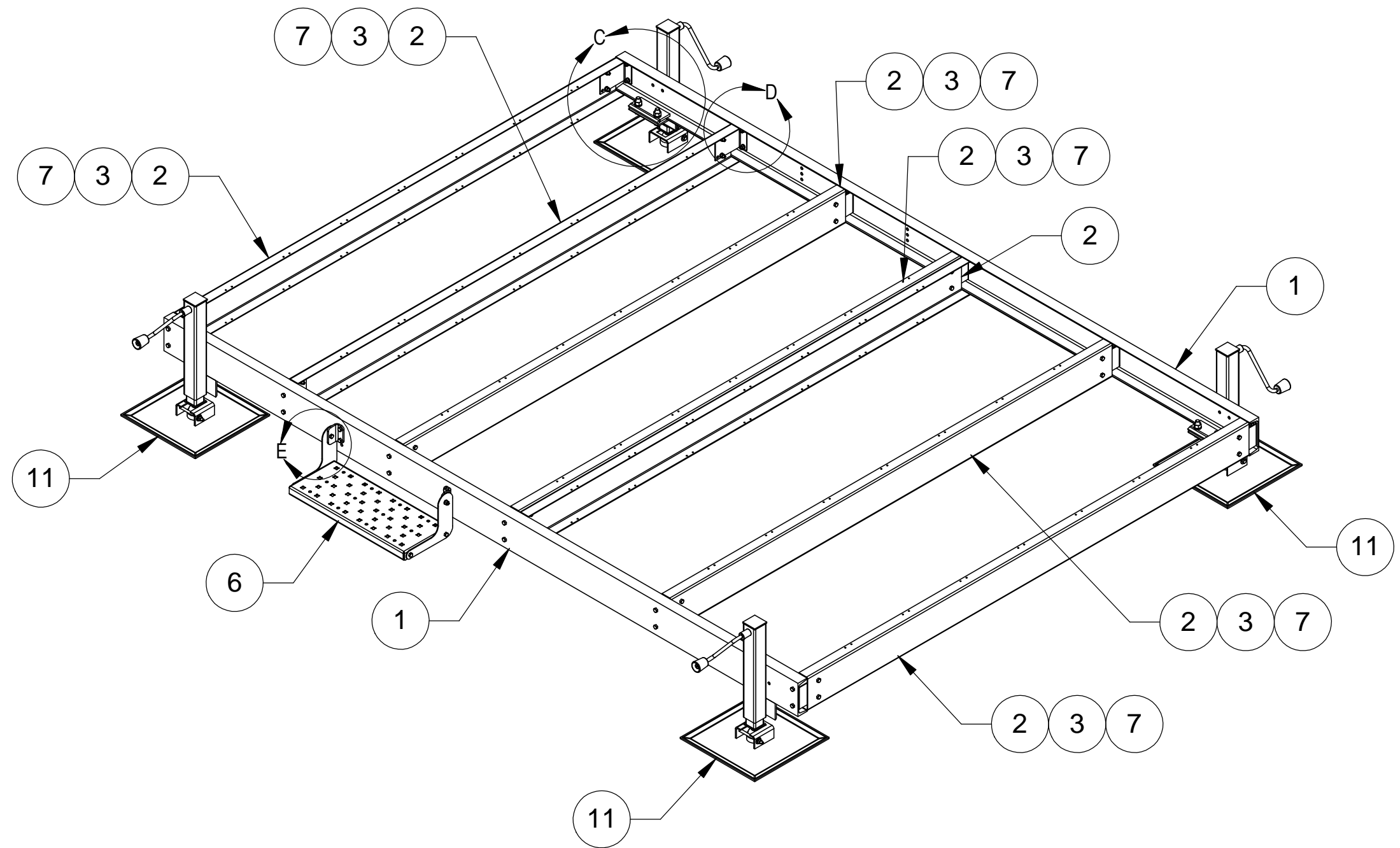
**COMMScope, INC. OF NORTH CAROLINA**

TOLERANCES		SAP MATERIAL MASTER	
0 PLACE X ± .25	2 PLACE .XX ± .06	<b>MTC4018DF</b>	
1 PLACE .X ± .12	ANGLES ± 2°		
FINISH		MATERIAL	
<b>GALV A123</b>		<b>A1011/A1018, A529</b>	
UNLESS OTHERWISE SPECIFIED DIMENSIONS ARE IN MILLIMETERS INTERPRET PER ISO STANDARDS HANDBOOK TECHNICAL DRAWINGS VOLUMES 1 & 2, THIRD EDITION (2002)		NAME	DATE
CE	RJC	11/14/17	TITLE
RW			<b>8' X 11' PLATFORM, ADJUSTABLE FEET</b>
RV			
AD			SCALE
RE	TP	11/14/17	DOCUMENT NO.
ECN	8000028419		<b>1:20 MTC4018DF</b>
SIZE	WORK AREA	MODEL	
<b>C</b>		VERSION	STATUS
		REVISION	REVISION
		DRAWING	
		VERSION	STATUS
		REVISION	REVISION
		<b>A</b>	
		SHEET	
		1 OF 2	

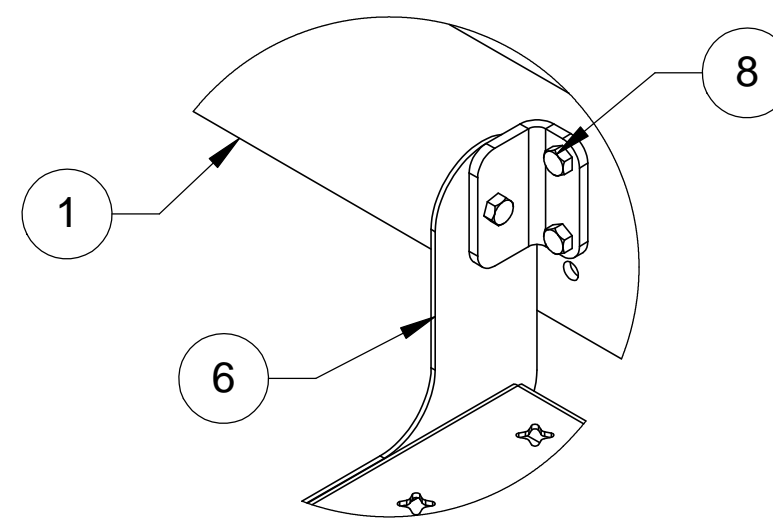
NOTES:  
1.0 ALL METRIC DIMENSIONS ARE IN BRACKETS.



DETAIL C  
SCALE 1:4



DETAIL D  
SCALE 1:2



DETAIL E  
SCALE 1:4

COMMSCOPE, INC. OF NORTH CAROLINA				
TITLE <b>8' X 11' PLATFORM, ADJUSTABLE FEET</b>				
SIZE <b>C</b>	SCALE <b>1:18</b>	DOCUMENT NO. <b>MTC4018DF</b>		
		DRAWING		SHEET
		VERSION	STATUS	REVISION
				<b>A</b>
				2 OF 2