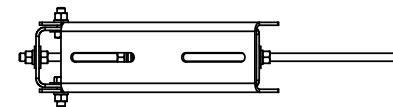
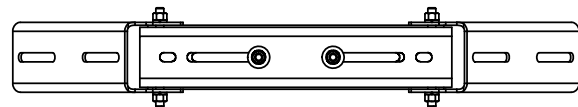
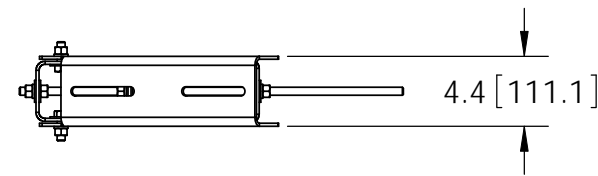
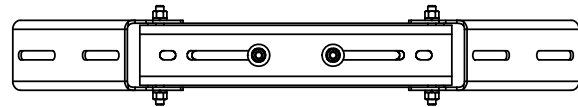
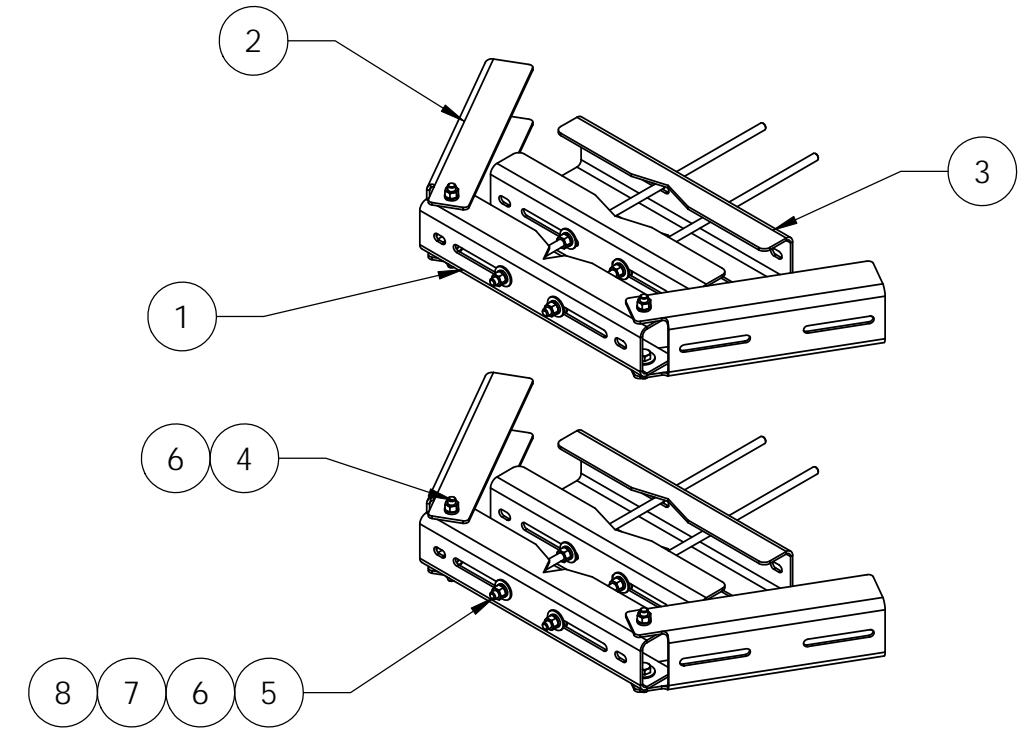
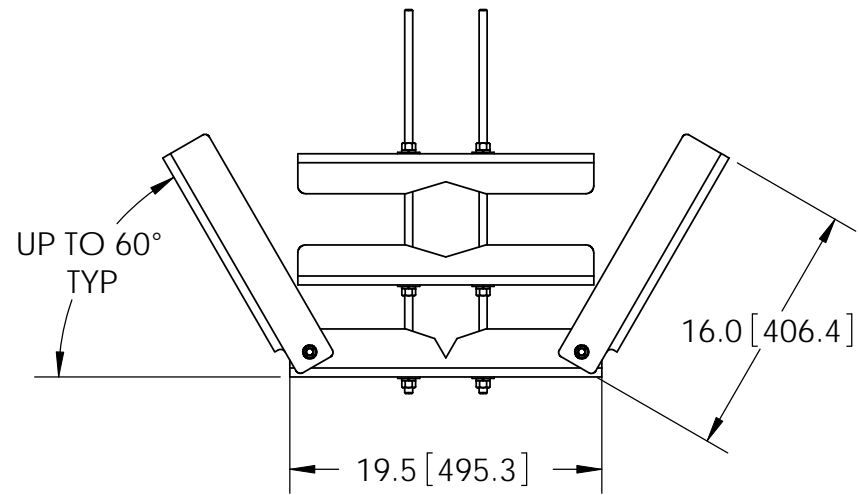


ITEM	PART NO.	DESCRIPTION	QTY.	WEIGHT
1	PMRU01	Universal Leg Channel	2	8.47 LBS
2	PMRU02	CHANNEL PIVOT BRACKET	4	7.64 LBS
3	PMRU03	Universal Leg Channel	4	7.47 LBS
4	GB-04145	1/2" X 1-1/2" GALV BOLT KIT	8	0.13 LBS
5	MT37924	1/2" X 24" GALV THREADED ROD	4	1.33 LBS
6	GWF-04	1/2" GALV FLAT WASHER	28	0.06 LBS
7	GWL-04	1/2" GALV LOCK WASHER	16	0.09 LBS
8	GN-04	1/2" GALV HEX NUT	20	0.04 LBS

REVISIONS				
REV.	ZONE	DESCRIPTION	BY	DATE
A		INITIAL RELEASE	MSM	11/29/11



NOTES:
 1. ALL METRIC DIMENSIONS ARE IN BRACKETS.
 2. FITS TOWER LEGS UP TO 5-5/8" OD,
 6" 60° AND 8" 90° ANGLE.

These drawings and specifications are the proprietary property of CommScope Inc. and may be used only for the specific purpose authorized in writing by CommScope Inc. ALL DIMENSIONS ARE IN INCHES U.O.S. TOLERANCES UNLESS OTHERWISE SPECIFIED: .X = ± .12 ANGLES ±2° .XX = ± .06 FRACTIONS ±1/32 .XXX = ± .03 REMOVE BURRS AND BREAK EDGES .005 DO NOT SCALE THIS PRINT	DRAWN BY: MSM	SHEET: 1 of 1	PART NUMBER: PM-RU3T
	CHECKED BY: TP	SCALE: NTS	DESCRIPTION: Pipe Mount RRU Kit w/ Taper
	DATE: 11/29/11	MATERIAL: A36	DRAWING TYPE: ASSEMBLY DRAWING
	REVISION: A	FINISH: GALV A123	WEIGHT: 86.19 LBS