

4

3

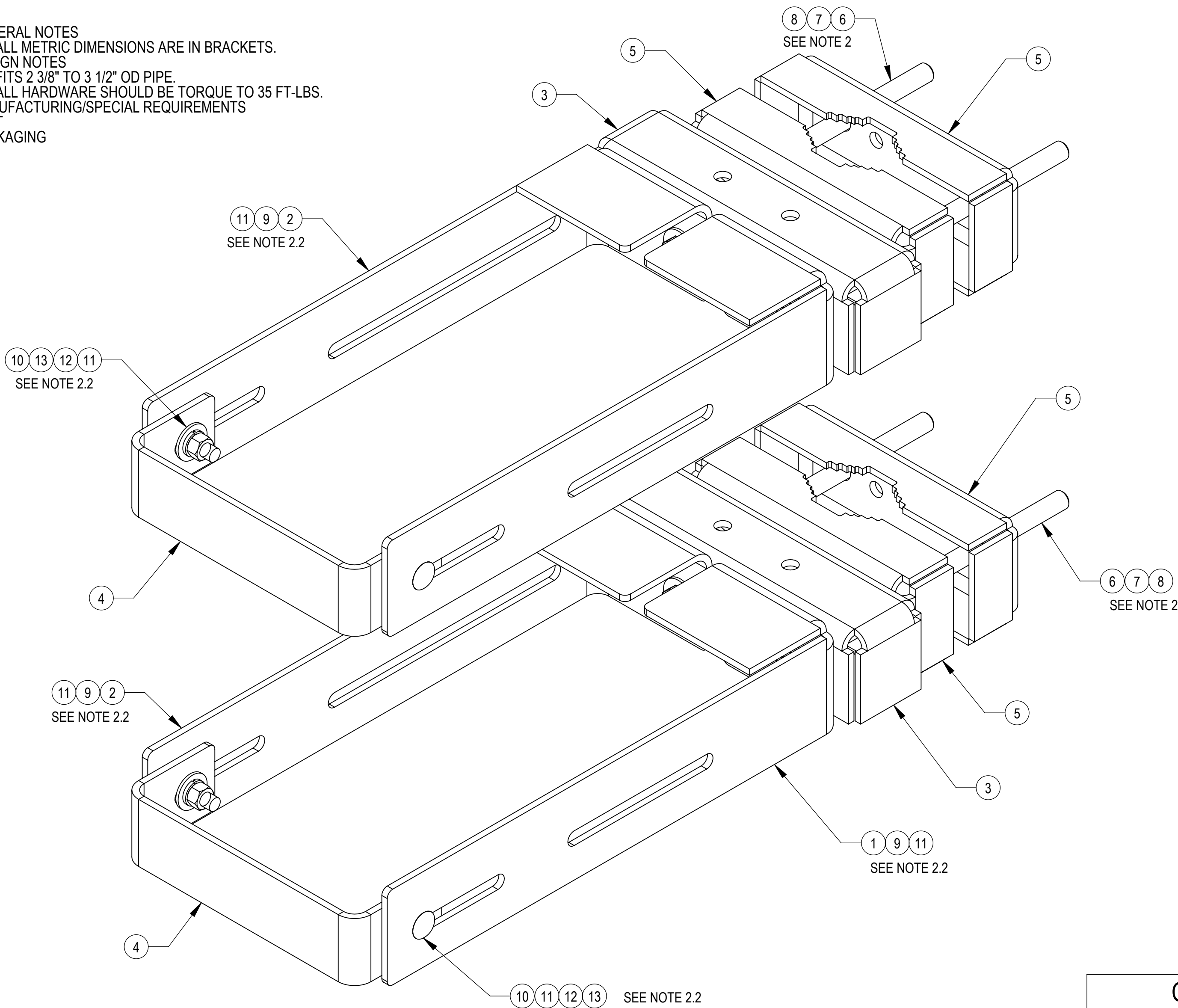
2

1

NOTES:

- 1.0 GENERAL NOTES
- 1.1 ALL METRIC DIMENSIONS ARE IN BRACKETS.
- 2.0 DESIGN NOTES
- 2.1 FITS 2 3/8" TO 3 1/2" OD PIPE.
- 2.2 ALL HARDWARE SHOULD BE TORQUE TO 35 FT-LBS.
- 3.0 MANUFACTURING/SPECIAL REQUIREMENTS
- 4.0 TEST
- 5.0 PACKAGING

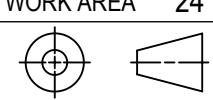
REVISIONS				
REV.	ECN	DESCRIPTION	BY	DATE
A	80000xxxx	INITIAL RELEASE	MSM	01/26/15
B	8000012889	UPDATE PACKING	CEB	03/10/2016
C	8000017155	UPDATE BOM TO AS BUILT	MSM	11/04/16
D	8000037660	REPLACE MTC332641 W/ MTC332663 & UPDATED HDW CREATED NEW DRAWING W/ NEW FORMAT	RJC	10/23/2019



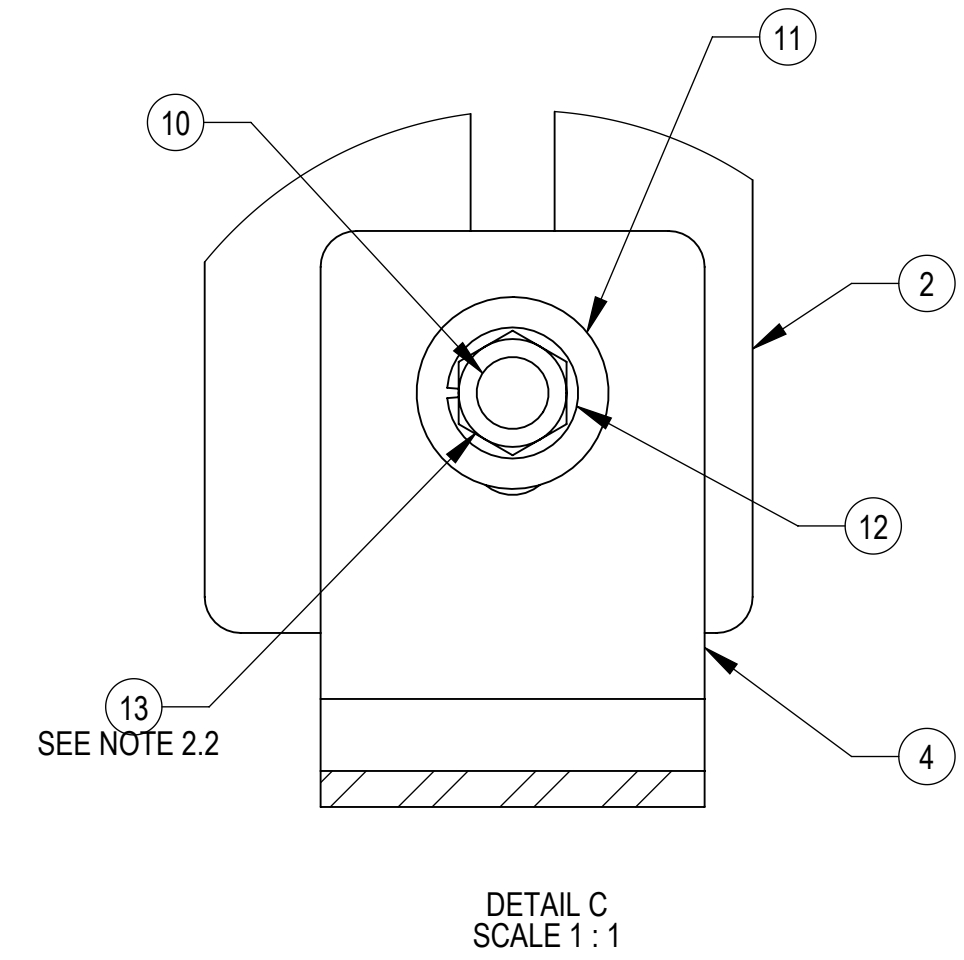
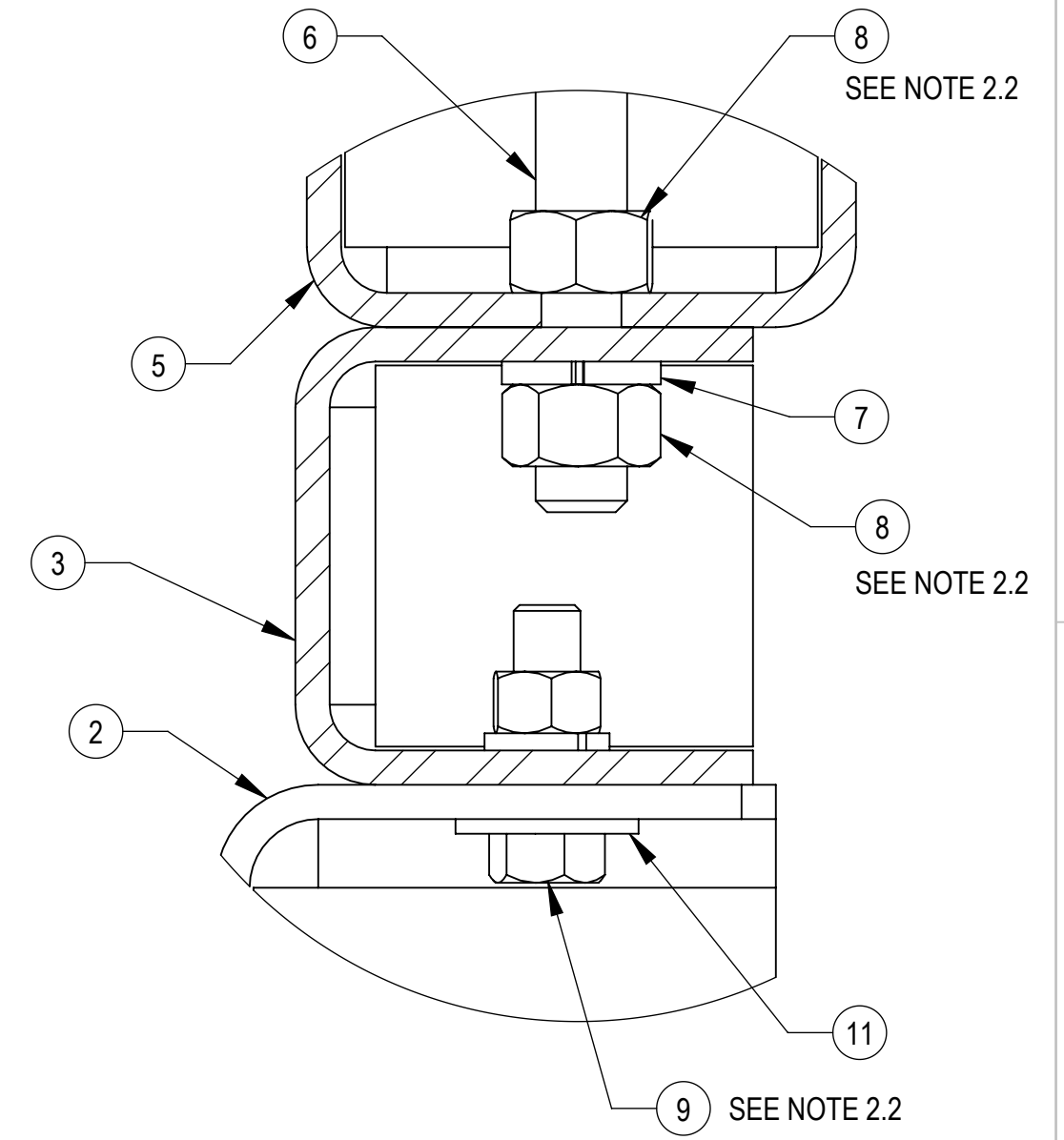
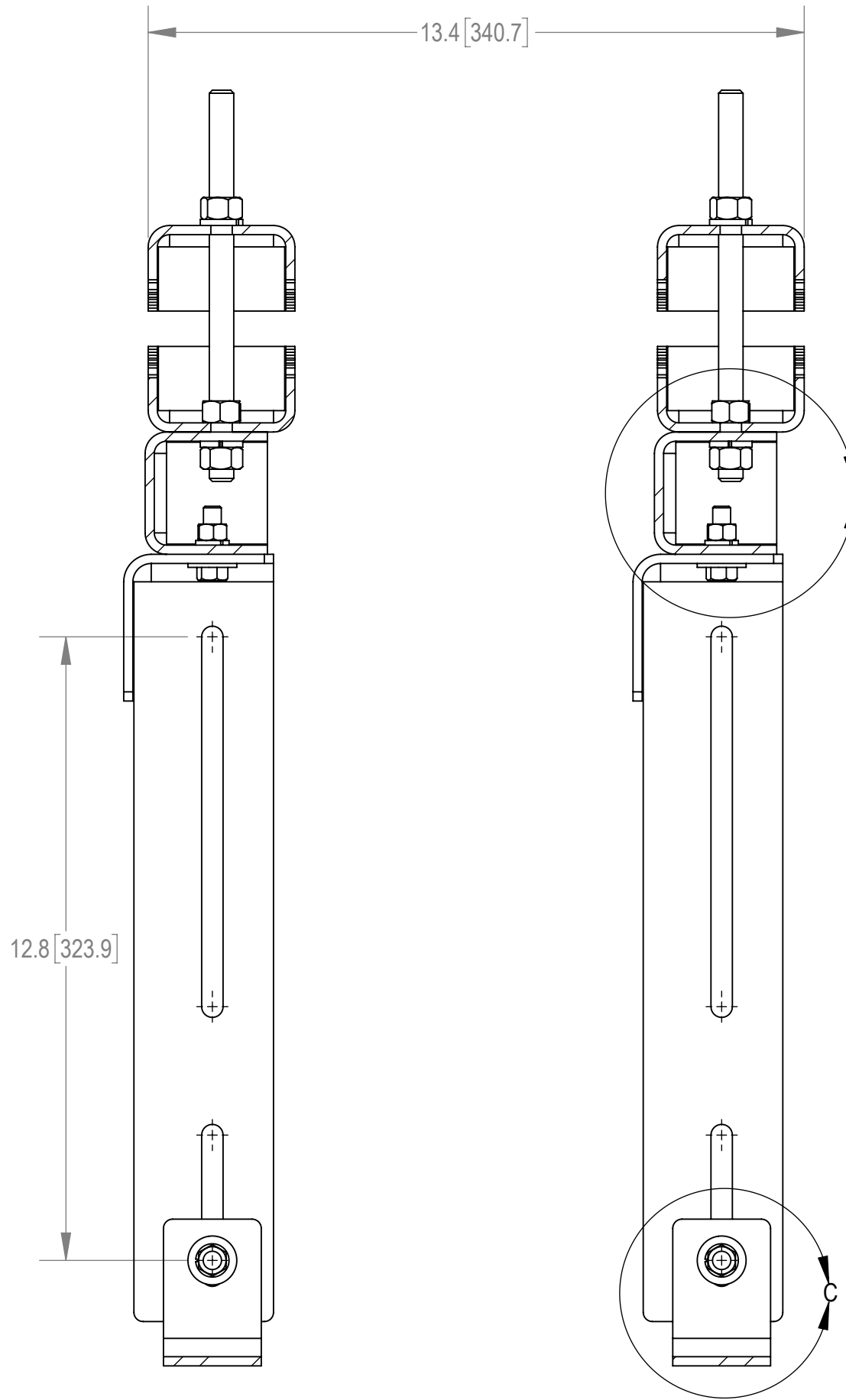
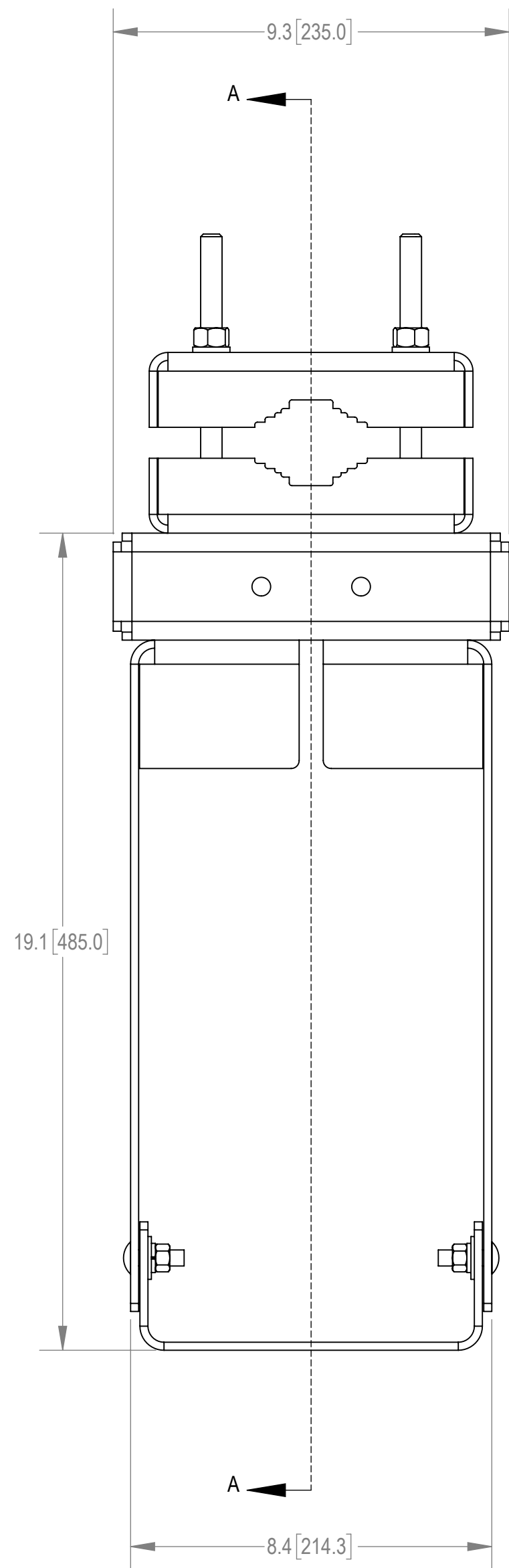
ITEM	PART NO.	DESCRIPTION	QTY.	NOTE NO.
1	MTC332654	RIGHT RRU BRACKET	2	
2	MTC332653	LEFT RRU BRACKET	2	
3	MTC332643	TRANSITION BRACKET	2	
4	MTC332663	BRACE, FRONT RRU	2	
5	MTC332646	PIPE CLAMP	4	
6	MT-379-8	1/2" X 8" GALV THREADED ROD	4	
7	GWL-04	1/2" GALV LOCK WASHER	8	
8	GN-04	1/2" GALV HEX NUT	12	
9	GB-03125	3/8" X 1-1/4" GALV BOLT KIT	8	
10	MTC8196	3/8 X 1-1/4" Carriage Bolt	4	
11	GWV-03	3/8" GALV FLAT WASHER	12	
12	GWL-03	3/8" GALV LOCK WASHER	4	
13	GN-03	3/8" GALV HEX NUT	4	

DENSITY	0.28	lbs/in ³
MASS	35.96	lbs
VOLUME	127.59	in ³
SURFACE AREA		in ²
HEIGHT	4.00	
LENGTH	18.50	
WIDTH	13.75	

COMMSCOPE, INC. OF NORTH CAROLINA

TOLERANCES		SAP MATERIAL MASTER						
1 PLACE .X ± .25	3 PLACE .XXX ± 0.06	RR-B2B-AR						
2 PLACE .XX ± 0.12	ANGLES ± 2°							
FINISH GALV A123		MATERIAL A1011/A1018						
<small>UNLESS OTHERWISE SPECIFIED DIMENSIONS ARE IN INCHES INTERPRET PER ANSI Y 14.5M-1994</small>		NAME	TITLE					
		RJC	10/02/19					
		BCAMPBELLCON	10/23/2019					
		MC1107	10/23/2019					
AD	FA1024	10/23/2019	REMOTE RADIO BACK-TO-BACK ACCESS READY					
RE	ECN 008000037660	SCALE		DOCUMENT NO.				
		1:2	RR-B2B-AR					
SIZE	WORK AREA 24	MODEL						
C		VERSION	STATUS	REVISION	VERSION	STATUS	REVISION	SHEET 1 OF 3
		00	RE	A	01	RE	A	

NOTES:



COMMSCOPE, INC. OF NORTH CAROLINA				
TITLE REMOTE RADIO BACK-TO-BACK ACCESS READY				
SIZE C	SCALE 1:3	DOCUMENT NO. RR-B2B-AR		
		DRAWING		SHEET
		VERSION	STATUS	REVISION
		01	RE	A
				2 OF 3

4

3

2

1

NOTES:

D

D

C

C

B

B

A

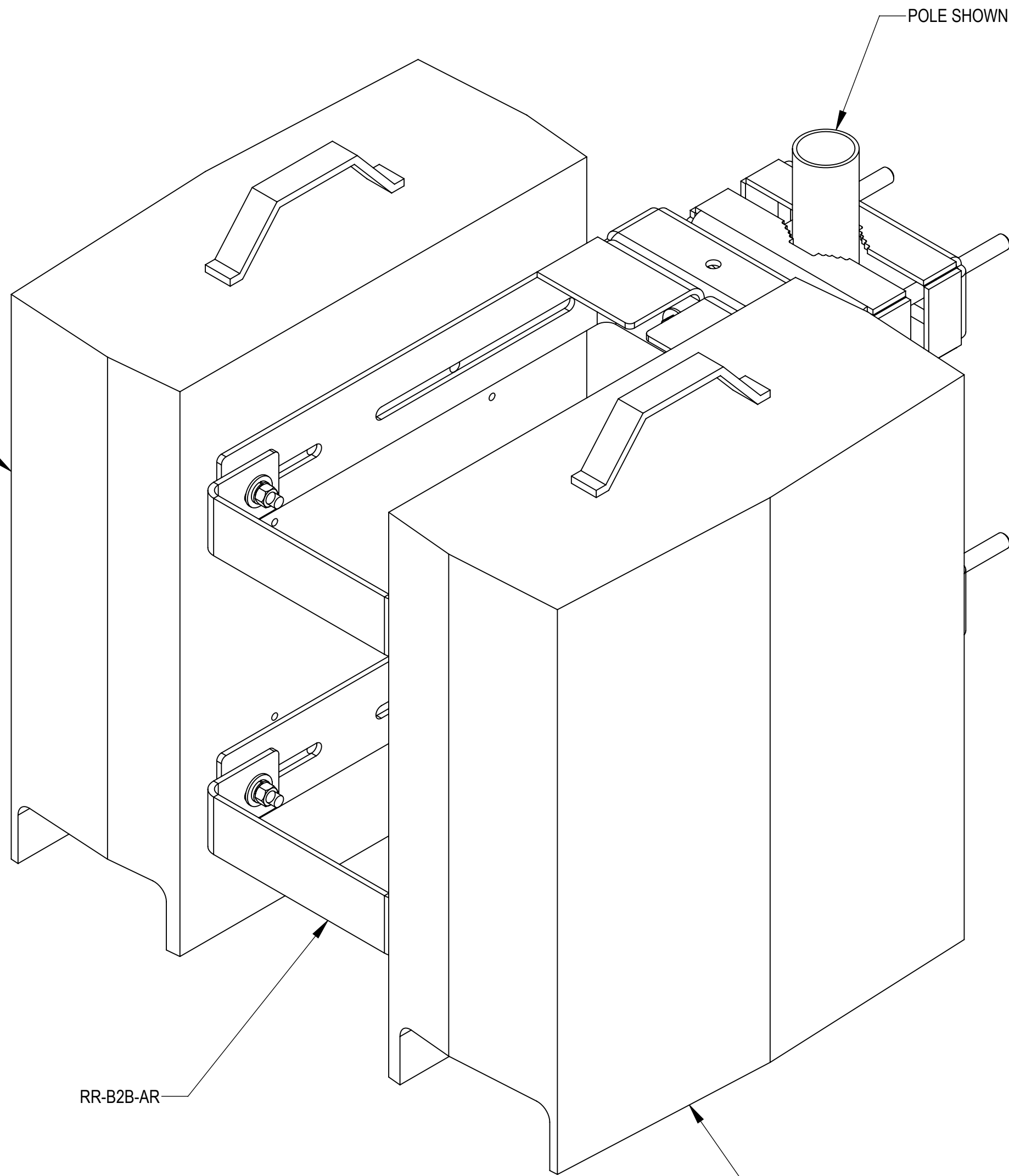
A

RRU ORDERED SEPARATELY

POLE SHOWN FOR REFERENCE

RR-B2B-AR


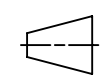
RRU ORDERED SEPARATELY



COMMSCOPE, INC. OF NORTH CAROLINA

TITLE
REMOTE RADIO BACK-TO-BACK ACCESS READY

SIZE C	SCALE 1:3	DOCUMENT NO. RR-B2B-AR		
------------------	---------------------	----------------------------------	--	--

 	DRAWING			SHEET 3 OF 3
	VERSION 01	STATUS RE	REVISION A	

© 2019 CommScope, Inc. Confidential

4

3

2

1