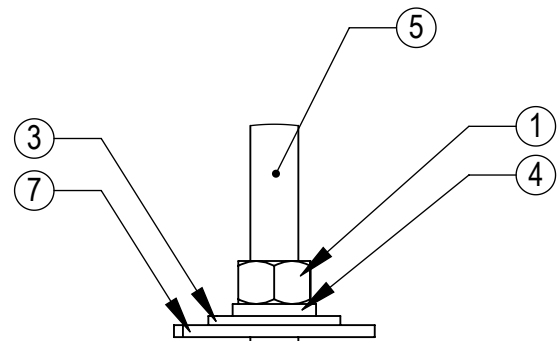
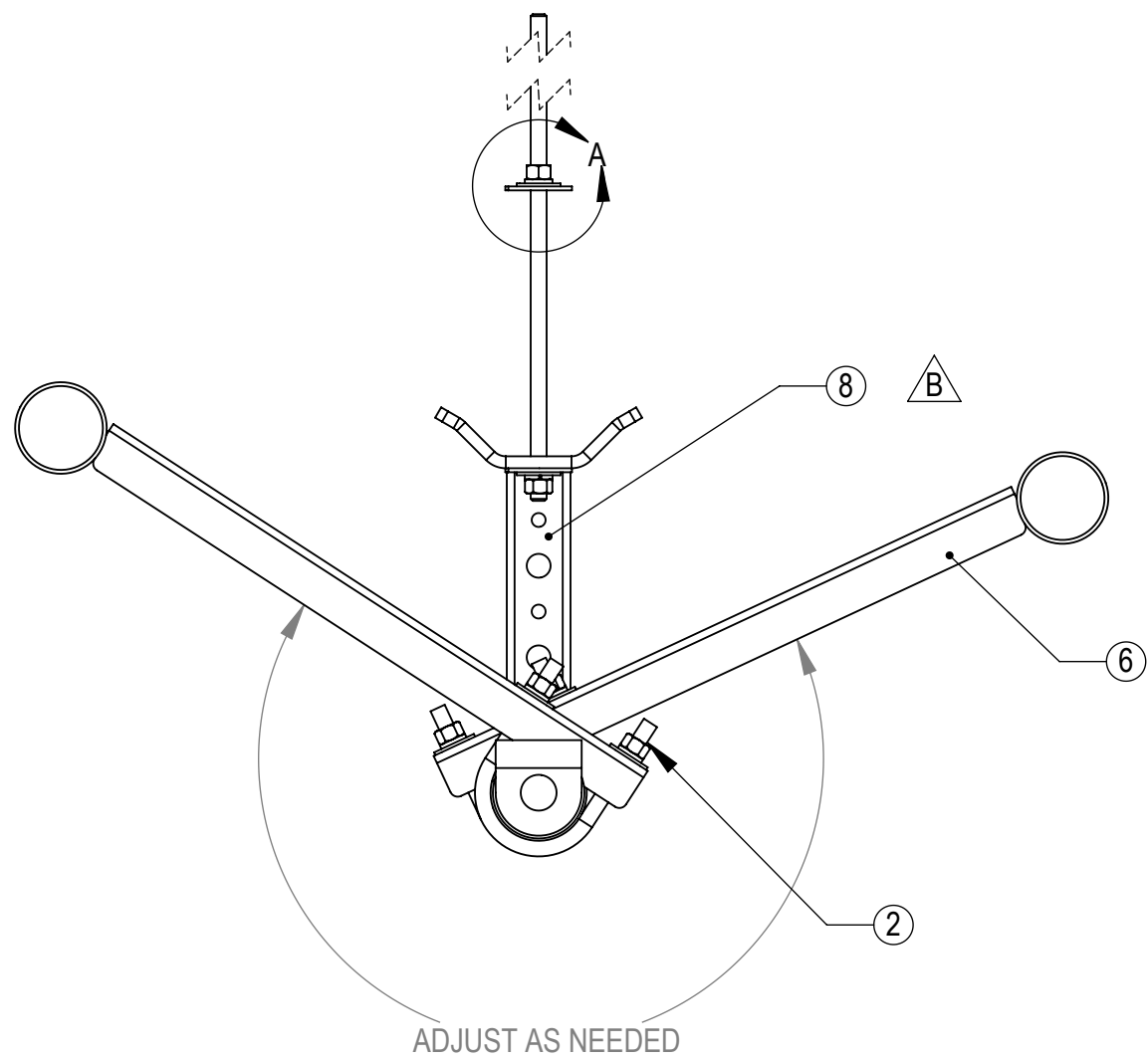


NOTES:

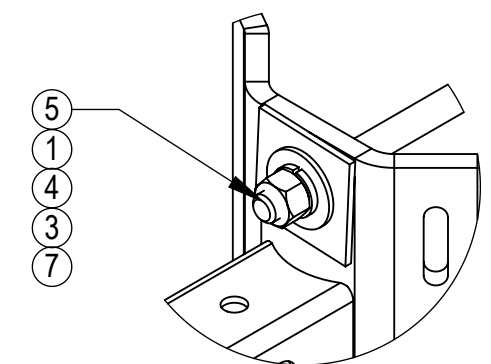
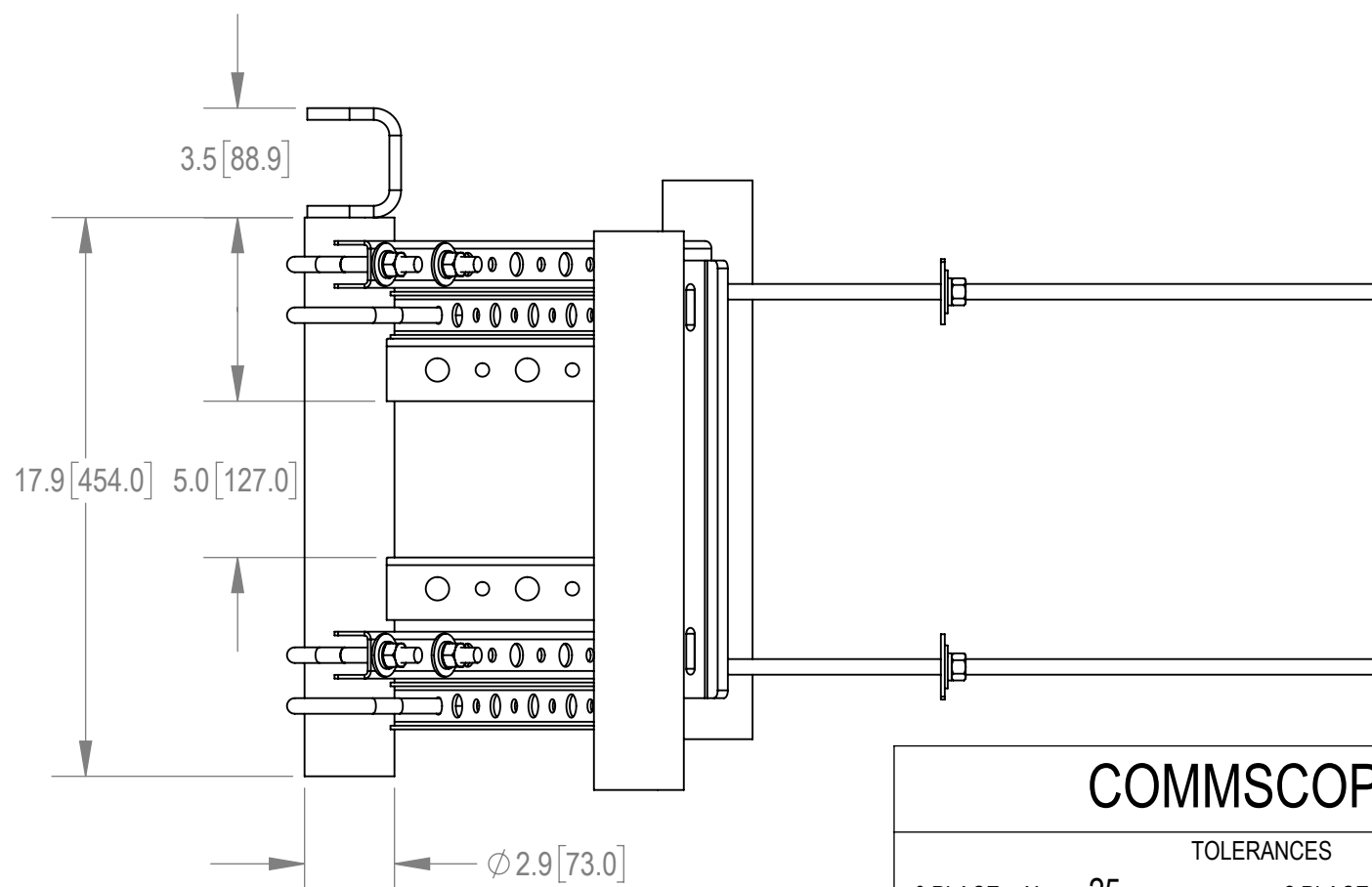
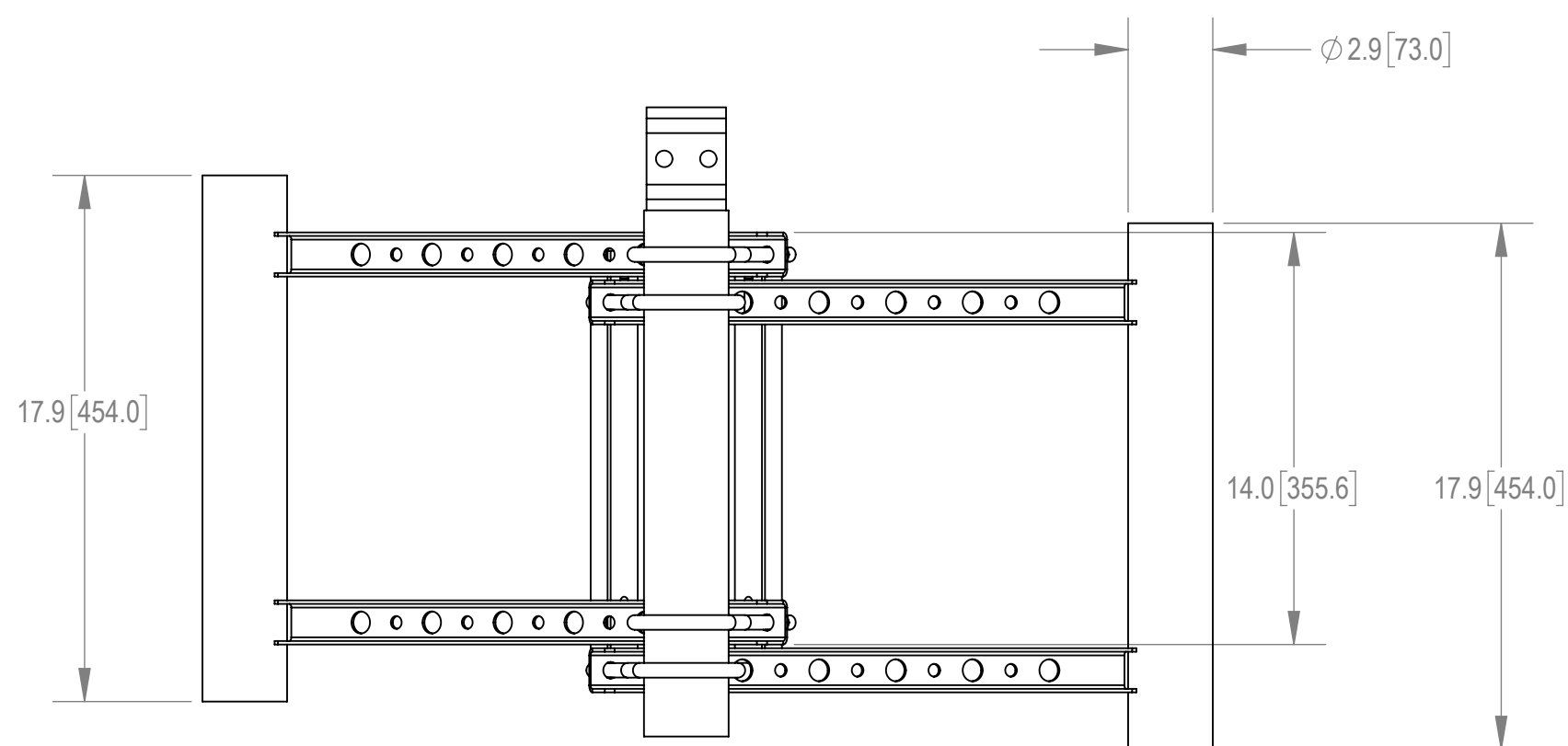
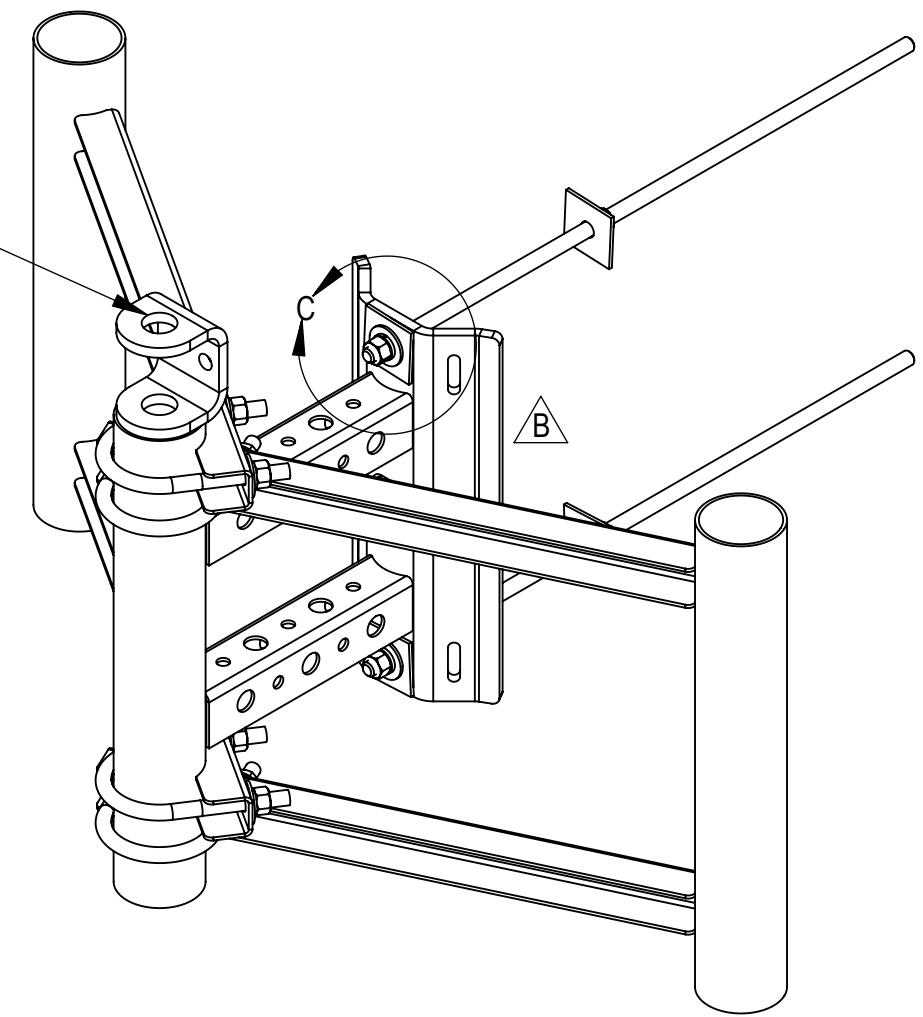
- 1.0 GENERAL
 - 1.1 ALL METRIC DIMENSIONS ARE IN BRACKETS
 - 1.2 FOR PATENTS, SEE WWW.CS-PAT.COM
- 2.0 DESIGN NOTES
- 3.0 MANUFACTURING/SPECIAL REQUIRMENTS
- 4.0 TEST
- 5.0 PACKAGING

REVISIONS				
REV.	ECN	DESCRIPTION	BY	DATE
A	8000033832	INITIAL RELEASE	MRC	02/19/19
B	8000034748	UPDATED WELDMENT	ERS	4/22/2019



SAME BOTH SIDES OF WOOD POLE
 DETAIL A
 SCALE 1 : 2

CLEARANCE HOLE FOR 1" HARDWARE



DETAIL C
 SCALE 1 : 3

ITEM	PART NO.	DESCRIPTION	QTY.	WEIGHT	NOTE NO.
1	GN-04	1/2" GALV HEX NUT	8	0.04 LBS	
2	GUB-4352	1/2" X 3" X 5-1/4" GALV U-BOLT	4	0.71 LBS	
3	GWF-04	1/2" GALV FLAT WASHER	12	0.03 LBS	
4	GWL-04	1/2" GALV LOCK WASHER	8	0.01 LBS	
5	MT37924	1/2" X 24" GALV THREADED ROD	2	1.33 LBS	
6	MTC406802	WELDMENT, MOUNT ARM, MTC4068	2	10.466 LBS	
7	SW-12	BACKING PLATE, .125" X 2" X 2" W/ 9/16" HOLE	4	0.13 LBS	
8	MTC406803	WELDMENT, RRU SMALL CELL, SINGLE MOUNT	1	20.53 LBS	

DENSITY	0.03	lbs/in ³
MASS	283.28	lbs
VOLUME	8293.85	in ³
SURFACE AREA		in ²
HEIGHT		
LENGTH		
WIDTH		

COMMSCOPE, INC. OF NORTH CAROLINA

TOLERANCES		SAP MATERIAL MASTER								
0 PLACE .X ± .25	2 PLACE .XXX ± 0.06	SCSM-5GT								
1 PLACE .XX ± 0.12	ANGLES ± 2°									
FINISH GALV A123		MATERIAL A1011/A1018, A500								
<small>UNLESS OTHERWISE SPECIFIED DIMENSIONS ARE IN INCHES INTERPRET PER ANSI Y 14.5M-1994</small>		NAME	DATE	MOUNT, SMALL CELL, 5G TRIPLE SIDE ARM						
		CE MRC	02/11/19							
		RW EST081	04/29/2019							
		RV MC1107	04/30/2019							
AD MC1107	04/30/2019	SCALE	DOCUMENT NO.	SCSM-5GT						
RE RD1048	05/03/2019	1:10								
ECN 008000034748		SIZE	WORK AREA 24	MODEL	DRAWING	SHEET				
		C		VERSION	STATUS	REVISION	VERSION	STATUS	REVISION	1 OF 2
				03	RE	B	03	RE	B	

4

3

2

1

NOTES:

SOLD SEPARATELY

SOLD SEPARATELY

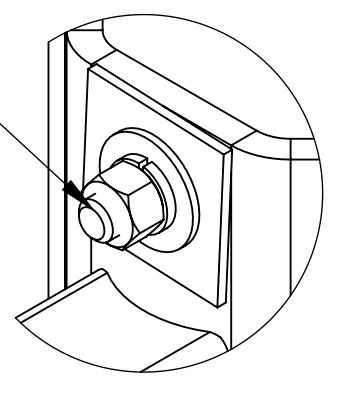
CAN BE USED WITH POLES WITH A DIAMETER OF UP TO 20 INCHES

OPTIONAL BANDING SLOTS .375" X 1.50"

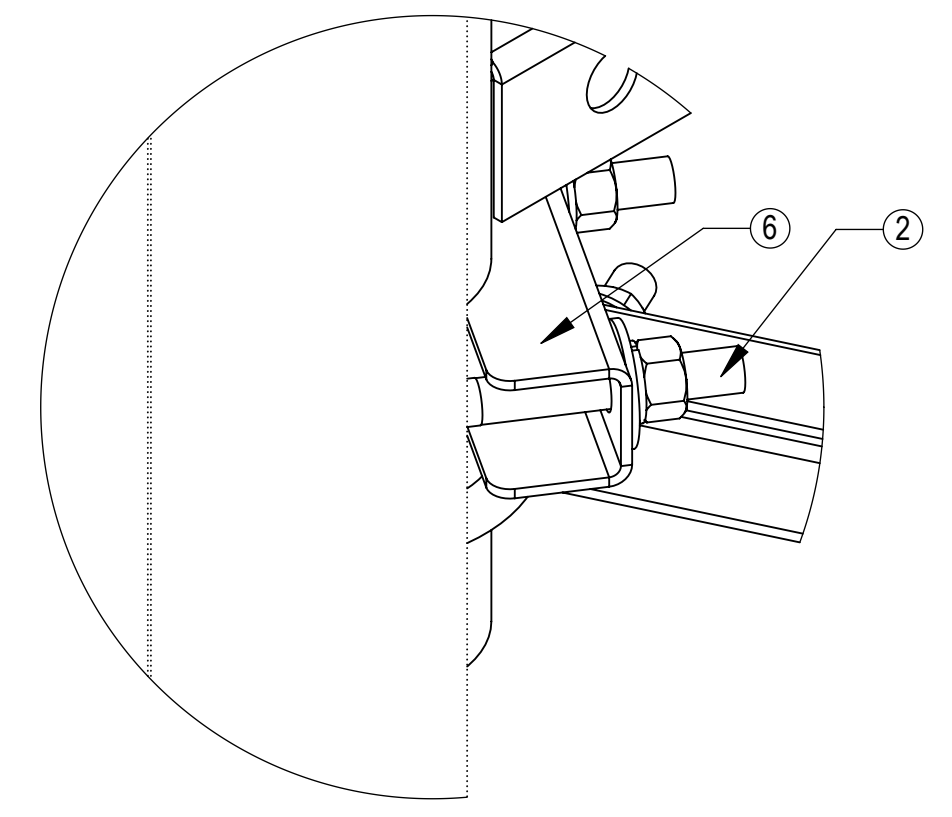
SOLD SEPARATELY

SOLD SEPARATELY

5
1
4
3
7



DETAIL D
SCALE 1:2



DETAIL B
SCALE 1:2

COMMSCOPE, INC. OF NORTH CAROLINA				
TITLE MOUNT, SMALL CELL, 5G TRIPLE SIDE ARM				
SIZE C	SCALE 1:4	DOCUMENT NO. SCSM-5GT		
		DRAWING		SHEET
		VERSION	STATUS	REVISION
		03	RE	B
				2 OF 2

4

3

2

1

D

D

C

C

B

B

A

A