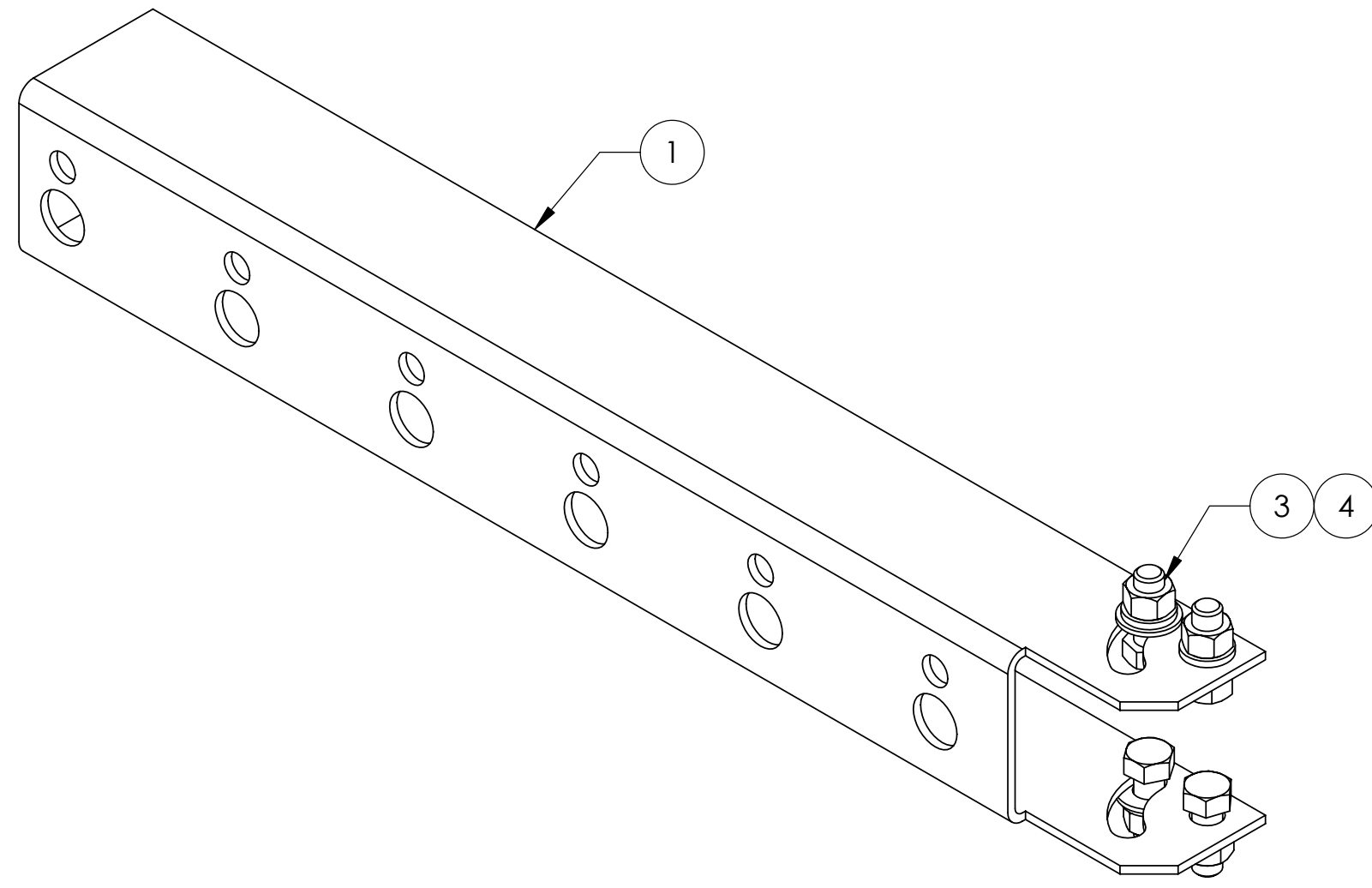


ITEM	PART NO.	DESCRIPTION	QTY.	WEIGHT
1	SSFB.02	STAR SUPPORT SINGLE FACE BRACKET	1	4.18 LBS
2	SSFBH	HARDWARE KIT (ITEMS 3-4)	1	-
3	GB-03105	3/8" X 1" GALV BOLT KIT	4	0.05 LBS
4	GWF-03	3/8" GALV FLAT WASHER	2	0.01 LBS

REVISIONS				
REV.	ZONE	DESCRIPTION	BY	DATE
A		INITIAL RELEASE	ACG	04/25/05



<p>These drawings and specifications are the proprietary property of ANDREW CORPORATION and may be used only for the specific purpose authorized in writing by Andrew Corporation.</p> <p>ALL DIMENSIONS ARE IN INCHES U.O.S. TOLERANCES UNLESS OTHERWISE SPECIFIED: .X = ± .06 ANGLES ± 2° .XX = ± .03 FRACTIONS ± 1/32 .XXX = ± .010</p> <p>REMOVE BURRS AND BREAK EDGES .005</p> <p>DO NOT SCALE THIS PRINT</p>	DRAWN BY: ACG	SHEET: 1 of 1	PART NUMBER: SS-FB
	CHECKED BY: TP	SCALE: NTS	DESCRIPTION: STAR SUPPORT FACE BRACKET
	DATE: 04/25/05	MATERIAL: A568	DRAWING TYPE: ASSEMBLY DRAWING
	REVISION: A	FINISH: GALV A123	WEIGHT: 4.50 LBS