

TF-M SERIES

PART NO.	DESCRIPTION	REVISIONS											WEIGHT
		MT-653-63	TFMHK2	TFMHK3	TFMHK4	MT54796	MT-547-174	MT-547	MT-651-96	MT-537-170	MT-538	MT-654-96	
TF-M2-8	Tower Face Mount, 2.38" OD X 8' Pipe	1	1	-	-	-	-	2	-	-	-	-	378.42 LBS
TF-M2-14	Tower Face Mount, 2.38" OD X 14' Pipe	1	1	-	-	-	-	-	2	-	-	-	426.08 LBS
TF-M2-20	Tower Face Mount, 2.38" OD X 20' Pipe	1	1	-	-	-	-	-	-	2	-	-	473.74 LBS
TF-M3-8	Tower Face Mount, 3.5" OD X 8' Pipe	1	-	1	-	2	-	-	-	-	-	-	451.40 LBS
TF-M3-14	Tower Face Mount, 3.5" OD X 14' Pipe	1	-	1	-	-	2	-	-	-	-	-	550.24 LBS
TF-M3-20	Tower Face Mount, 3.5" OD X 20' Pipe	1	-	1	-	-	-	2	-	-	-	-	603.46 LBS
TF-M4-8	Tower Face Mount, 4.5" OD X 8' Pipe	1	-	-	1	-	-	-	-	-	2	-	512.78 LBS
TF-M4-14	Tower Face Mount, 4.5" OD X 14' Pipe	1	-	-	1	-	-	-	-	-	-	2	597.10 LBS

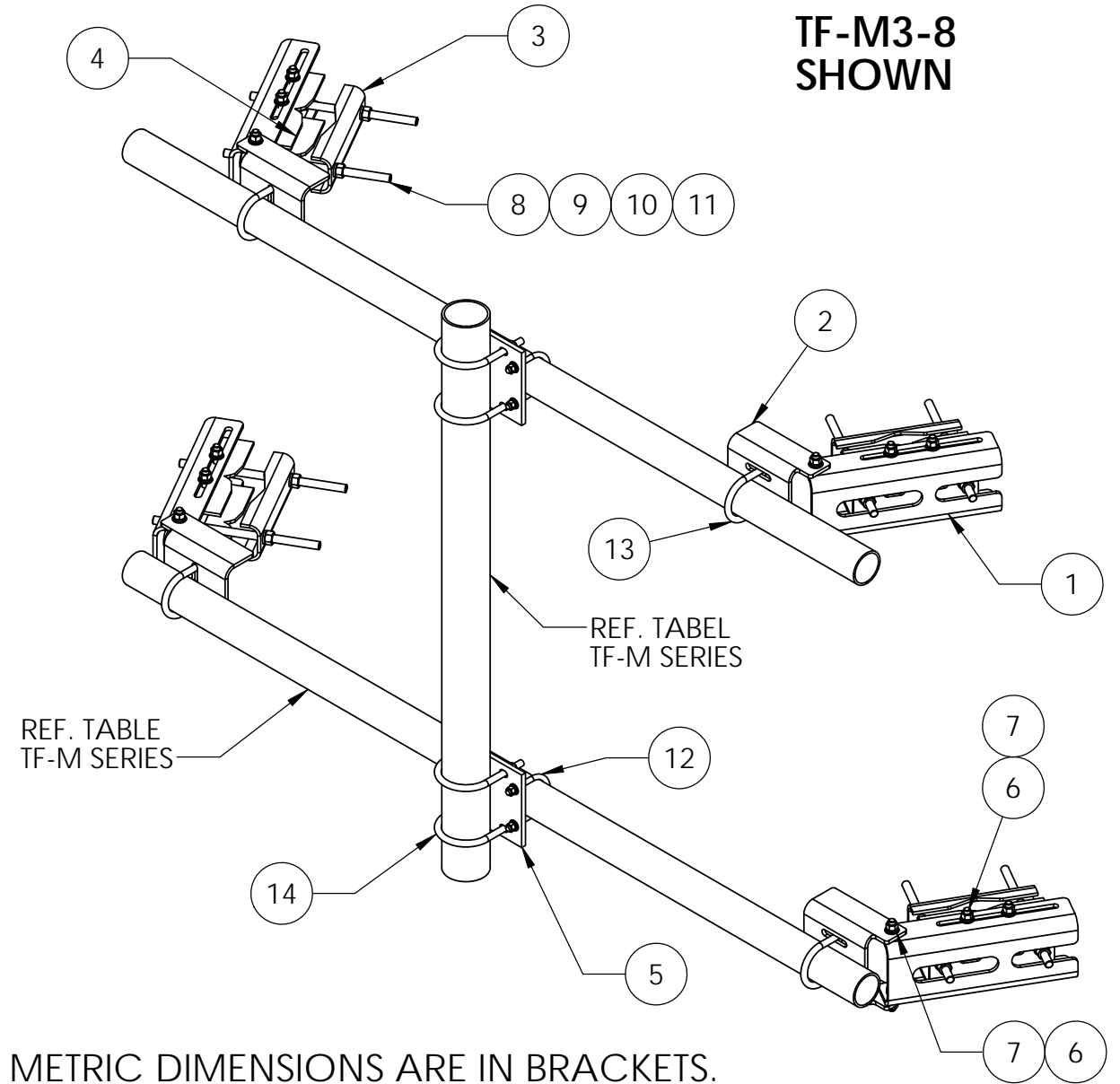
REV.	ZONE	DESCRIPTION	BY	DATE
A		INITIAL RELEASE	MSM	01/23/09
B		DELETE TFMHK1 / ADD SHEET 4	MSM	05/01/09
C		UPDATE SHEET 4 TOWER VIEW	MSM	08/28/09
D		CHANGE BOLTS TO A325	MSM	02/26/10
E		UPDATE BOM ITEM #2 IN TFMHK2 & 3	MSM	03/04/10
F		UPDATED TABLE ON PAGE TWO	DRR	01/18/11

TFMHK2 - Hardware Kit for 2.38" OD Pipe

ITEM	PART NO.	DESCRIPTION	QTY.	WEIGHT
1	MTC9872.01	Channel Adapter	4	20.93 LBS
2	MTC9872.02	CHANNEL PIVOT BRACKET	4	12.43 LBS
3	SMU2080.06	CLAMP PLATE	4	6.43 LBS
4	MTC9872.10	Mount	4	12.58 LBS
5	XP2040.01	CROSSOVER PLATE 2-3/8" O.D. TO 4-1/2" O.D.	2	7.13 LBS
6	GB-0520A	5/8" X 2" GALV BOLT KIT (A325)	24	0.05 LBS
7	GWF-05	5/8" GALV FLAT WASHER	24	0.09 LBS
8	MT-384-16	3/4" X 16" GALV THREADED ROD	8	2.00 LBS
9	GWL-06	3/4" GALV LOCK WASHER	16	0.00 LBS
10	GWF-06	3/4" GALV FLAT WASHER	16	0.04 LBS
11	GN-06	3/4" GALV HEX NUT	24	0.01 LBS
12	GUB-4240	1/2" X 2-1/2" X 4" GALV U-BOLT	4	1.30 LBS
13	GUB52440	5/8" X 2-1/2" X 4" GALV U-BOLT	4	1.30 LBS
14	GUB-5456	5/8" X 4-5/8" X 6 1/2" GALV U-BOLT	4	1.30 LBS

TFMHK3 - Hardware Kit for 3.5" OD Pipe

ITEM	PART NO.	DESCRIPTION	QTY.	WEIGHT
1	MTC9872.01	Channel Adapter	4	20.93 LBS
2	MTC9872.02	CHANNEL PIVOT BRACKET	4	12.43 LBS
3	SMU2080.06	CLAMP PLATE	4	6.43 LBS
4	SMU208004	MOUNT	4	12.15 LBS
5	XP3040.01	CROSSOVER PLATE ϕ 3.5" O.D. TO ϕ 4.5" O.D.	2	11.01 LBS
6	GB-0520A	5/8" X 2" GALV BOLT KIT (A325)	24	0.05 LBS
7	GWF-05	5/8" GALV FLAT WASHER	24	0.09 LBS
8	MT-384-16	3/4" X 16" GALV THREADED ROD	8	2.00 LBS
9	GWL-06	3/4" GALV LOCK WASHER	16	0.00 LBS
10	GWF-06	3/4" GALV FLAT WASHER	16	0.04 LBS
11	GN-06	3/4" GALV HEX NUT	24	0.01 LBS
12	GUB-4355	1/2" X 3-5/8" X 5" GALV U-BOLT KIT	4	0.71 LBS
13	GUB-53560	5/8" X 3-5/8" X 6" GALV U-BOLT	4	1.30 LBS
14	GUB-5456	5/8" X 4-5/8" X 6-1/2" GALV U-BOLT	4	1.52 LBS



NOTES:

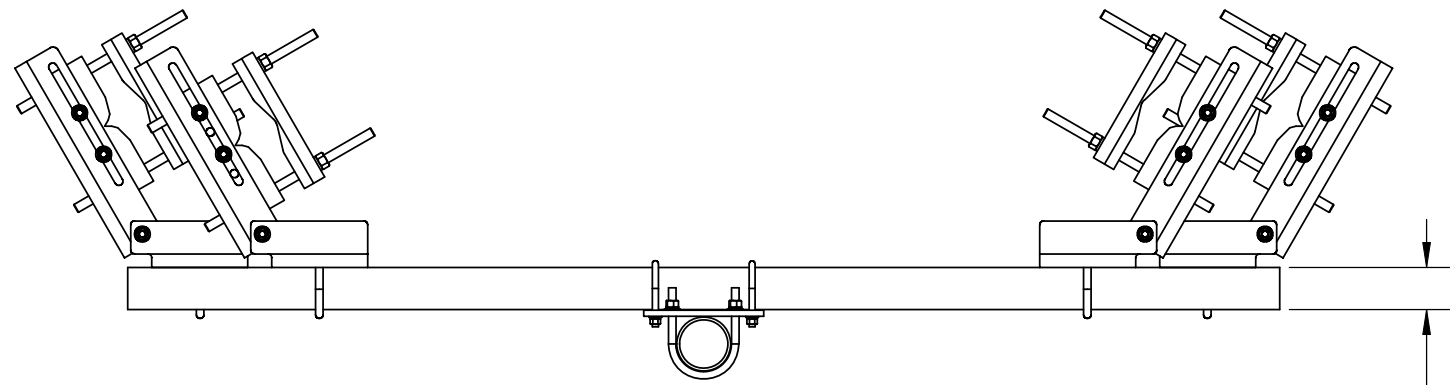
1. ALL METRIC DIMENSIONS ARE IN BRACKETS.
2. UP TO 5% ADDITIONAL HARDWARE INCLUDED.
3. ANTENNAS MUST BE POSITIONED EQUALLY SPACED VERTICALLY BETWEEN SPAN OF FACE MOUNTS.
4. SEE SHEET 4 FOR TFMHK4 - ϕ 4.50" O.D. PIPE KIT.
5. ADDITIONAL TF-M SERIES TABLE SHEET 2.

<small>These drawings and specifications are the proprietary property of ANDREW CORPORATION and may be used only for the specific purpose authorized in writing by Andrew Corporation.</small> ALL DIMENSIONS ARE IN INCHES U.O.S. TOLERANCES UNLESS OTHERWISE SPECIFIED: .X = \pm .12 ANGLES \pm 2° .XX = \pm .06 FRACTIONS \pm 1/32 .XXX = \pm .03 REMOVE BURRS AND BREAK EDGES .005 DO NOT SCALE THIS PRINT	DRAWN BY: MSM CHECKED BY: TP DATE: 01/23/09 REVISION: F	SHEET: 1 of 6 SCALE: NTS MATERIAL: A36, A53 FINISH: GALV A123 WEIGHT: SEE CHART	PART NUMBER: TF-M SERIES DESCRIPTION: FACE MOUNT SERIES DRAWING DRAWING TYPE: ASSEMBLY DRAWING WESTCHESTER, IL. 60154 U.S.A.
---	--	---	---

TF-M SERIES

ITEM	DESCRIPTION	MT-653-63	TFMHK2	TFMHK3	TFMHK4	MT54796	MT-547-174	MT-547	MT-651-96	MT-537-170	MT-538	MT-654-96	MTC9872.05	TFMSS2HK	TFMSS3HK	TFMSS4HK	MT-650-63	TF-ST	WEIGHT
TF-M2S-8	Tower Face Mount, 2.38" OD X 8' Pipe,W/ (1ea) 2.38"x 63" Strut Support	1	1	-	-	-	-	-	2	-	-	-	-	1	-	-	1	-	419.75 LBS
TF-M2S-14	Tower Face Mount, 2.38" OD X 14' Pipe,W/ (1ea) 2.38"x 63" Strut Support	1	1	-	-	-	-	-	-	2	-	-	-	1	-	-	1	-	467.41 LBS
TF-M2S-20	Tower Face Mount, 2.38" OD X 20' Pipe,W/ (1ea) 2.38"x 63" Strut Support	1	1	-	-	-	-	-	-	-	2	-	-	1	-	-	1	-	515.07 LBS
TF-M3S-8	Tower Face Mount, 3.5" OD X 8' Pipe,W/ (1ea) 2.38"x 63" Strut Support	1	-	1	-	2	-	-	-	-	-	-	-	-	1	-	1	-	495.22 LBS
TF-M3S-14	Tower Face Mount, 3.5" OD X 14' Pipe,W/ (1ea) 2.38"x 63" Strut Support	1	-	1	-	-	2	-	-	-	-	-	-	-	1	-	1	-	594.06 LBS
TF-M3S-20	Tower Face Mount, 3.5" OD X 20' Pipe,W/ (1ea) 2.38"x 63" Strut Support	1	-	1	-	-	-	2	-	-	-	-	-	-	1	-	1	-	647.28 LBS
TF-M4S-8	Tower Face Mount, 4.5" OD X 8' Pipe,W/ (1ea) 2.38"x 63" Strut Support	1	-	-	1	-	-	-	-	-	-	2	-	-	-	1	1	-	560.04 LBS
TF-M4S-14	Tower Face Mount, 4.5" OD X 14' Pipe,W/ (1ea) 2.38"x 63" Strut Support	1	-	-	1	-	-	-	-	-	-	-	2	-	-	1	1	-	644.36 LBS
TF-M2S2-8	Tower Face Mount, 2.38" OD X 8' Pipe,W/ (2ea) 2.38"x 63" Strut Support	1	1	-	-	-	-	-	2	-	-	-	-	2	-	-	2	-	461.08 LBS
TF-M2S2-14	Tower Face Mount, 2.38" OD X 14' Pipe,W/ (2ea) 2.38"x 63" Strut Support	1	1	-	-	-	-	-	-	2	-	-	-	2	-	-	2	-	508.74 LBS
TF-M2S2-20	Tower Face Mount, 2.38" OD X 20' Pipe,W/ (2ea) 2.38"x 63" Strut Support	1	1	-	-	-	-	-	-	-	2	-	-	2	-	-	2	-	556.40 LBS
TF-M3S2-8	Tower Face Mount, 3.5" OD X 8' Pipe,W/ (2ea) 2.38"x 63" Strut Support	1	-	1	-	2	-	-	-	-	-	-	-	-	2	-	2	-	539.04 LBS
TF-M3S2-14	Tower Face Mount, 3.5" OD X 14' Pipe,W/ (2ea) 2.38"x 63" Strut Support	1	-	1	-	-	2	-	-	-	-	-	-	-	2	-	2	-	637.88 LBS
TF-M3S2-20	Tower Face Mount, 3.5" OD X 20' Pipe,W/ (2ea) 2.38"x 63" Strut Support	1	-	1	-	-	-	2	-	-	-	-	-	-	2	-	2	-	691.10 LBS
TF-M4S2-8	Tower Face Mount, 4.5" OD X 8' Pipe,W/ (2ea) 2.38"x 63" Strut Support	1	-	-	1	-	-	-	-	-	-	2	-	-	-	2	2	-	607.30 LBS
TF-M4S2-14	Tower Face Mount, 4.5" OD X 14' Pipe,W/ (2ea) 2.38"x 63" Strut Support	1	-	-	1	-	-	-	-	-	-	-	2	-	-	2	2	-	691.62 LBS
TF-ML2-8	Tower Face Mount, 2.38" OD X 8' Pipe,w/14" Stand-off	1	1	-	-	-	-	-	2	-	-	-	-	-	-	-	-	1	442.40 LBS
TF-ML2-14	Tower Face Mount, 2.38" OD X 14' Pipe,w/14" Stand-off	1	1	-	-	-	-	-	-	2	-	-	-	-	-	-	-	1	490.24 LBS
TF-ML2-20	Tower Face Mount, 2.38" OD X 20' Pipe,w/14" Stand-off	1	1	-	-	-	-	-	-	-	2	-	-	-	-	-	-	1	537.90 LBS
TF-ML3-8	Tower Face Mount, 3.5" OD X 8' Pipe,w/14" Stand-off	1	-	1	-	2	-	-	-	-	-	-	-	-	-	-	-	1	515.56 LBS
TF-ML3-14	Tower Face Mount, 3.5" OD X 14' Pipe,w/14" Stand-off	1	-	1	-	-	2	-	-	-	-	-	-	-	-	-	-	1	614.40 LBS
TF-ML3-20	Tower Face Mount, 3.5" OD X 20' Pipe,w/14" Stand-off	1	-	1	-	-	-	2	-	-	-	-	-	-	-	-	-	1	667.62 LBS
TF-ML4-8	Tower Face Mount, 4.5" OD X 8' Pipe,w/14" Stand-off	1	-	-	1	-	-	-	-	-	-	2	-	-	-	-	-	1	576.94 LBS
TF-ML4-14	Tower Face Mount, 4.5" OD X 14' Pipe,w/14" Stand-off	1	-	-	1	-	-	-	-	-	-	-	2	-	-	-	-	1	661.26 LBS
TF-ML2S-8	Tower Face Mount, 2.38" OD X 8' Pipe,w/14" Stand-off, w/ (1ea) 2.38"x 63" Strut Support	1	1	-	-	-	-	-	2	-	-	-	-	1	-	-	1	1	483.73 LBS
TF-ML2S-14	Tower Face Mount, 2.38" OD X 14' Pipe,w/14" Stand-off, w/ (1ea) 2.38"x 63" Strut Support	1	1	-	-	-	-	-	-	2	-	-	-	1	-	-	1	1	531.57 LBS
TF-ML2S-20	Tower Face Mount, 2.38" OD X 20' Pipe,w/14" Stand-off, w/ (1ea) 2.38"x 63" Strut Support	1	1	-	-	-	-	-	-	-	2	-	-	1	-	-	1	1	579.23 LBS
TF-ML3S-8	Tower Face Mount, 3.5" OD X 8' Pipe,w/14" Stand-off, w/ (1ea) 2.38"x 63" Strut Support	1	-	1	-	2	-	-	-	-	-	-	-	-	1	-	1	1	559.38 LBS
TF-ML3S-14	Tower Face Mount, 3.5" OD X 14' Pipe,w/14" Stand-off, w/ (1ea) 2.38"x 63" Strut Support	1	-	1	-	-	2	-	-	-	-	-	-	-	1	-	1	1	658.22 LBS
TF-ML3S-20	Tower Face Mount, 3.5" OD X 20' Pipe,w/14" Stand-off, w/ (1ea) 2.38"x 63" Strut Support	1	-	1	-	-	-	2	-	-	-	-	-	-	1	-	1	1	711.44 LBS
TF-ML4S-8	Tower Face Mount, 4.5" OD X 8' Pipe,w/14" Stand-off, w/ (1ea) 2.38"x 63" Strut Support	1	-	-	1	-	-	-	-	-	-	2	-	-	-	1	1	1	624.20 LBS
TF-ML4S-14	Tower Face Mount, 4.5" OD X 14' Pipe,w/14" Stand-off, w/ (1ea) 2.38"x 63" Strut Support	1	-	-	1	-	-	-	-	-	-	-	2	-	-	1	1	1	708.52 LBS
TF-ML2S2-8	Tower Face Mount, 2.38" OD X 8' Pipe,w/14" Stand-off, w/ (2ea) 2.38"x 63" Strut Support	1	1	-	-	-	-	-	2	-	-	-	-	2	-	-	2	1	525.06 LBS
TF-ML2S2-14	Tower Face Mount, 2.38" OD X 14' Pipe,w/14" Stand-off, w/ (2ea) 2.38"x 63" Strut Support	1	1	-	-	-	-	-	-	2	-	-	-	2	-	-	2	1	572.90 LBS
TF-ML2S2-20	Tower Face Mount, 2.38" OD X 20' Pipe,w/14" Stand-off, w/ (2ea) 2.38"x 63" Strut Support	1	1	-	-	-	-	-	-	-	2	-	-	2	-	-	2	1	620.56 LBS
TF-ML3S2-8	Tower Face Mount, 3.5" OD X 8' Pipe,w/14" Stand-off, w/ (2ea) 2.38"x 63" Strut Support	1	-	1	-	2	-	-	-	-	-	-	-	-	2	-	2	1	603.20 LBS
TF-ML3S2-14	Tower Face Mount, 3.5" OD X 14' Pipe,w/14" Stand-off, w/ (2ea) 2.38"x 63" Strut Support	1	-	1	-	-	2	-	-	-	-	-	-	-	2	-	2	1	702.04 LBS
TF-ML3S2-20	Tower Face Mount, 3.5" OD X 20' Pipe,w/14" Stand-off, w/ (2ea) 2.38"x 63" Strut Support	1	-	1	-	-	-	2	-	-	-	-	-	-	2	-	2	1	755.26 LBS
TF-ML4S2-8	Tower Face Mount, 4.5" OD X 8' Pipe,w/14" Stand-off, w/ (2ea) 2.38"x 63" Strut Support	1	-	-	1	-	-	-	-	-	-	2	-	-	-	2	2	1	671.26 LBS
TF-ML4S2-14	Tower Face Mount, 4.5" OD X 14' Pipe,w/14" Stand-off, w/ (2ea) 2.38"x 63" Strut Support	1	-	-	1	-	-	-	-	-	-	-	2	-	-	2	2	1	755.78 LBS

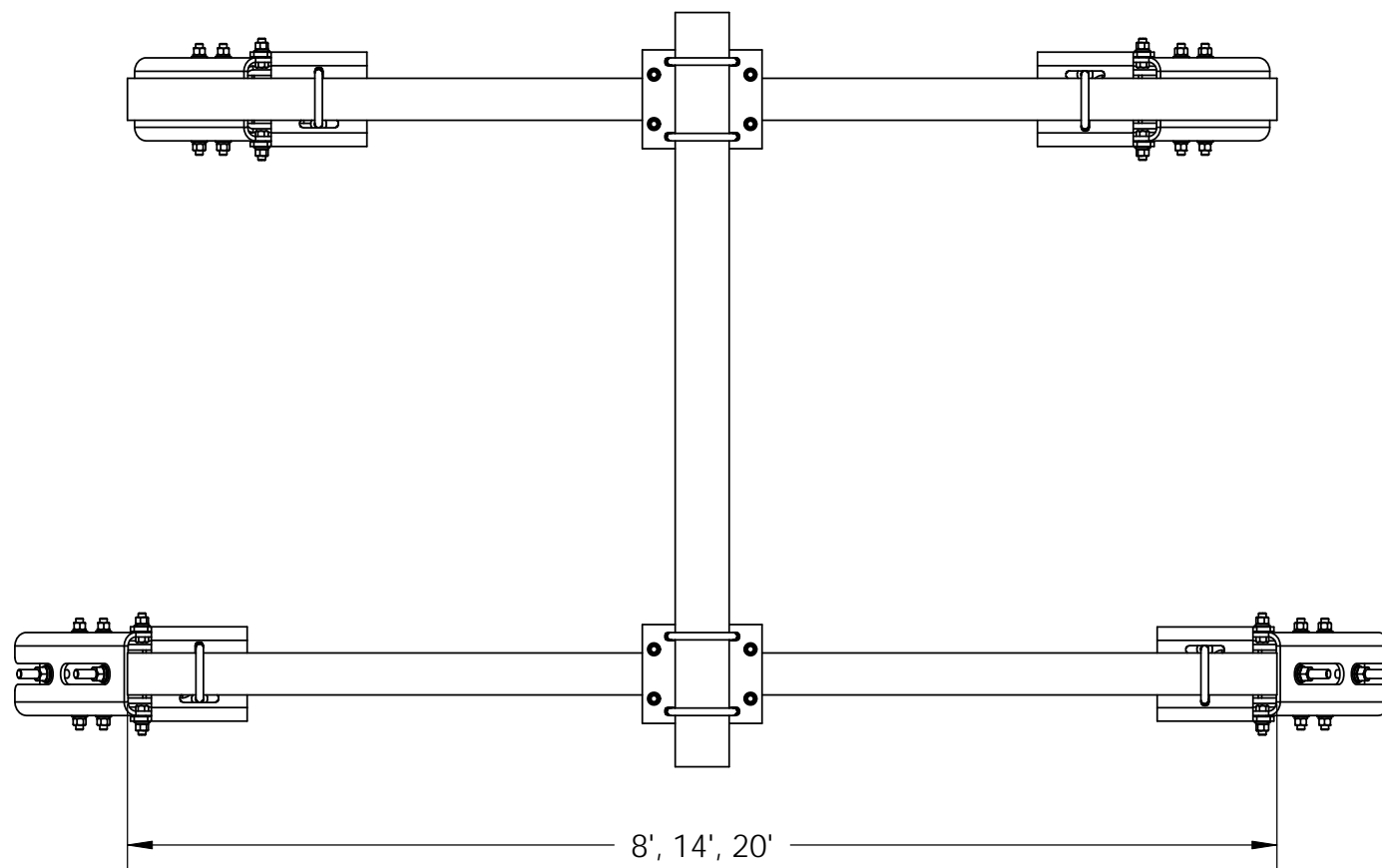
<p style="font-size: 8px;">These drawings and specifications are the proprietary property of ANDREW CORPORATION and may be used only for the specific purpose authorized in writing by Andrew Corporation.</p> <p style="font-size: 8px;">ALL DIMENSIONS ARE IN INCHES U.O.S. TOLERANCES UNLESS OTHERWISE SPECIFIED: .X = ± .12 ANGLES ±2° .XX = ± .06 FRACTIONS ±1/32 .XXX = ± .03</p> <p style="font-size: 8px;">REMOVE BURRS AND BREAK EDGES .005</p> <p style="text-align: center; font-weight: bold;">DO NOT SCALE THIS PRINT</p>	<p style="font-size: 8px;">DRAWN BY: MSM</p> <p style="font-size: 8px;">CHECKED BY: TP</p> <p style="font-size: 8px;">DATE: 01/23/09</p> <p style="font-size: 8px;">REVISION: F</p>	<p style="font-size: 8px;">SHEET: 2 of 6</p> <p style="font-size: 8px;">SCALE: NTS</p> <p style="font-size: 8px;">MATERIAL: A36, A53</p> <p style="font-size: 8px;">FINISH: GALV A123</p> <p style="font-size: 8px;">WEIGHT: SEE CHART</p>	<p style="font-size: 8px;">PART NUMBER: TF-M SERIES</p> <p style="font-size: 8px;">DESCRIPTION: TOWER FACE MOUNT SERIES DRAWING</p> <p style="font-size: 8px;">DRAWING TYPE: ASSEMBLY DRAWING</p> <div style="text-align: right;"> <p style="font-size: 8px; margin: 0;">WESTCHESTER, IL. 60154 U.S.A.</p> </div>
--	---	--	--



REFERENCE: 9° TAPER @ 48" SEPARATION

Ø2-3/8", Ø3-1/2",
or Ø4-1/2"


TF-M3-8
SHOWN



4'-0" [1219.2]
TYP

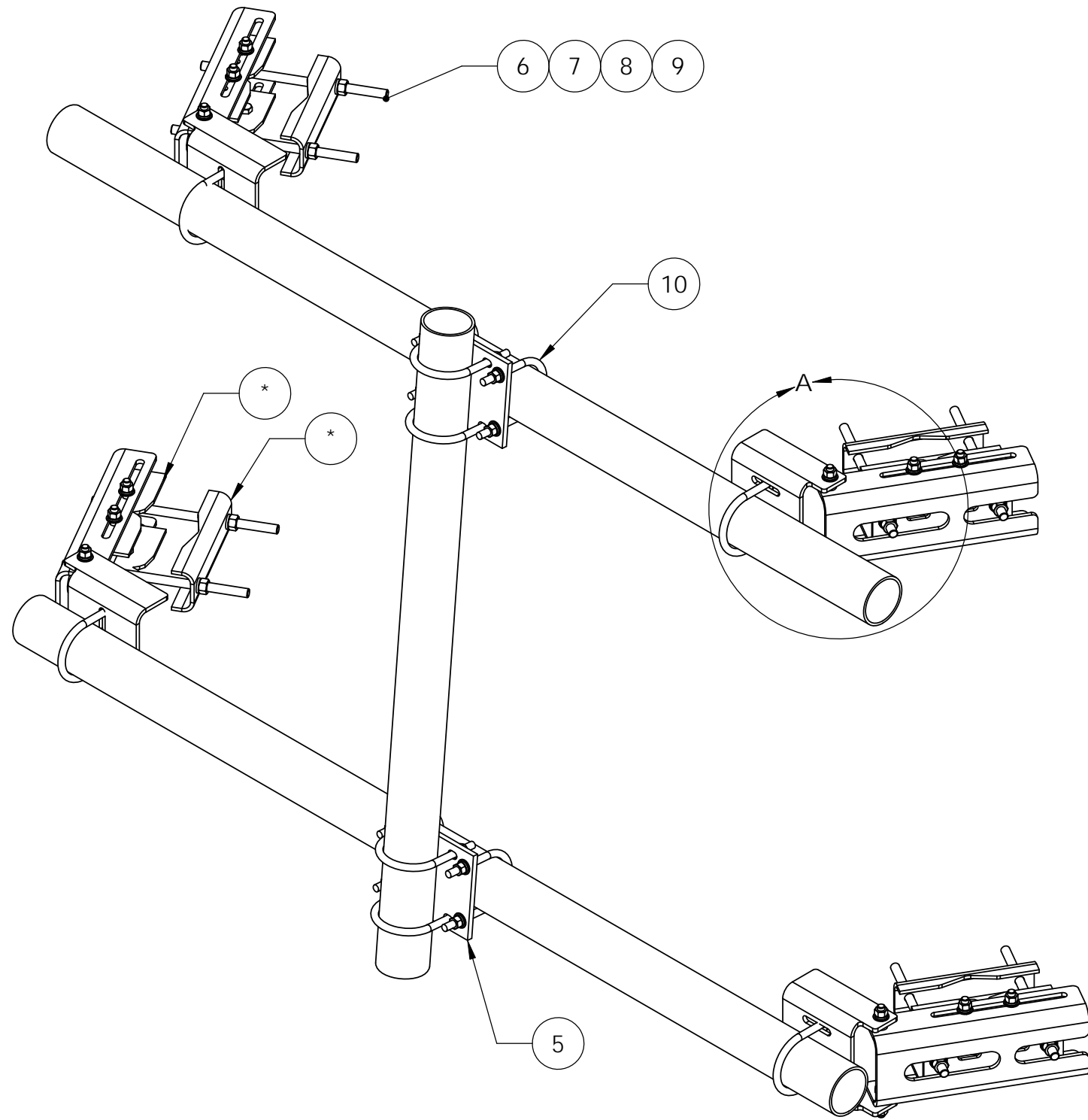
63.0 [1600.2]

NOTES:
1. ALL METRIC DIMENSIONS ARE IN BRACKETS.

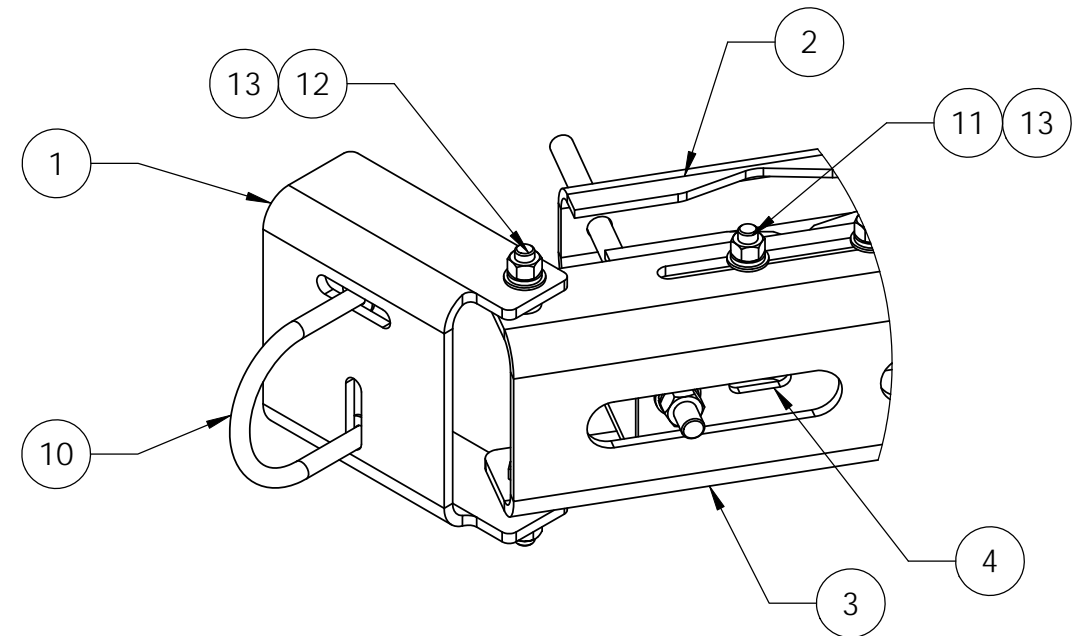
<small>These drawings and specifications are the proprietary property of ANDREW CORPORATION and may be used only for the specific purpose authorized in writing by Andrew Corporation.</small> ALL DIMENSIONS ARE IN INCHES U.O.S. TOLERANCES UNLESS OTHERWISE SPECIFIED: .X = ± .12 ANGLES ±2° .XX = ± .06 FRACTIONS ±1/32 .XXX = ± .03 REMOVE BURRS AND BREAK EDGES .005 DO NOT SCALE THIS PRINT	DRAWN BY: MSM	SHEET: 3 of 6	PART NUMBER: TF-M SERIES
	CHECKED BY: TP	SCALE: NTS	DESCRIPTION: TOWER FACE MOUNT SERIES DRAWING
	DATE: 01/23/09	MATERIAL: A36, A53	DRAWING TYPE: ASSEMBLY DRAWING
	REVISION: F	FINISH: GALV A123 WEIGHT: SEE CHART	 WESTCHESTER, IL. 60154 U.S.A.

TFMHK4 - Hardware Kit for 4.5" OD Pipe

ITEM	PART NO.	DESCRIPTION	QTY.	WEIGHT
1	MTC9872.03	CHANNEL PIVOT BRACKET 4-1/2" PIPE	4	13.31 LBS
2	SMU2080.06	CLAMP PLATE	4	6.43 LBS
3	MTC9872.08	TF-M Face Bracket Weldment	4	21.03 LBS
4	MTC9872.10	Mount	4	12.58 LBS
5	XP4040.01	CROSSOVER PLATE ϕ 4.5" O.D. TO ϕ 4.5" O.D.	2	10.96 LBS
6	MT-384-16	3/4" X 16" GALV THREADED ROD	8	2.00 LBS
7	GWL-06	3/4" GALV LOCK WASHER	16	0.00 LBS
8	GWF-06	3/4" GALV FLAT WASHER	16	0.04 LBS
9	GN-06	3/4" GALV HEX NUT	24	0.01 LBS
10	GUB-5456	5/8" X 4-5/8" X 6 1/2" GALV U-BOLT	12	1.30 LBS
11	GB-0520A	5/8" X 2" GALV BOLT KIT (A325)	16	0.05 LBS
12	GB-0524A	5/8" X 2-1/2" GALV BOLT KIT (A325)	8	0.05 LBS
13	GWF-05	5/8" GALV FLAT WASHER	24	0.09 LBS




TF-M4-8 SHOWN



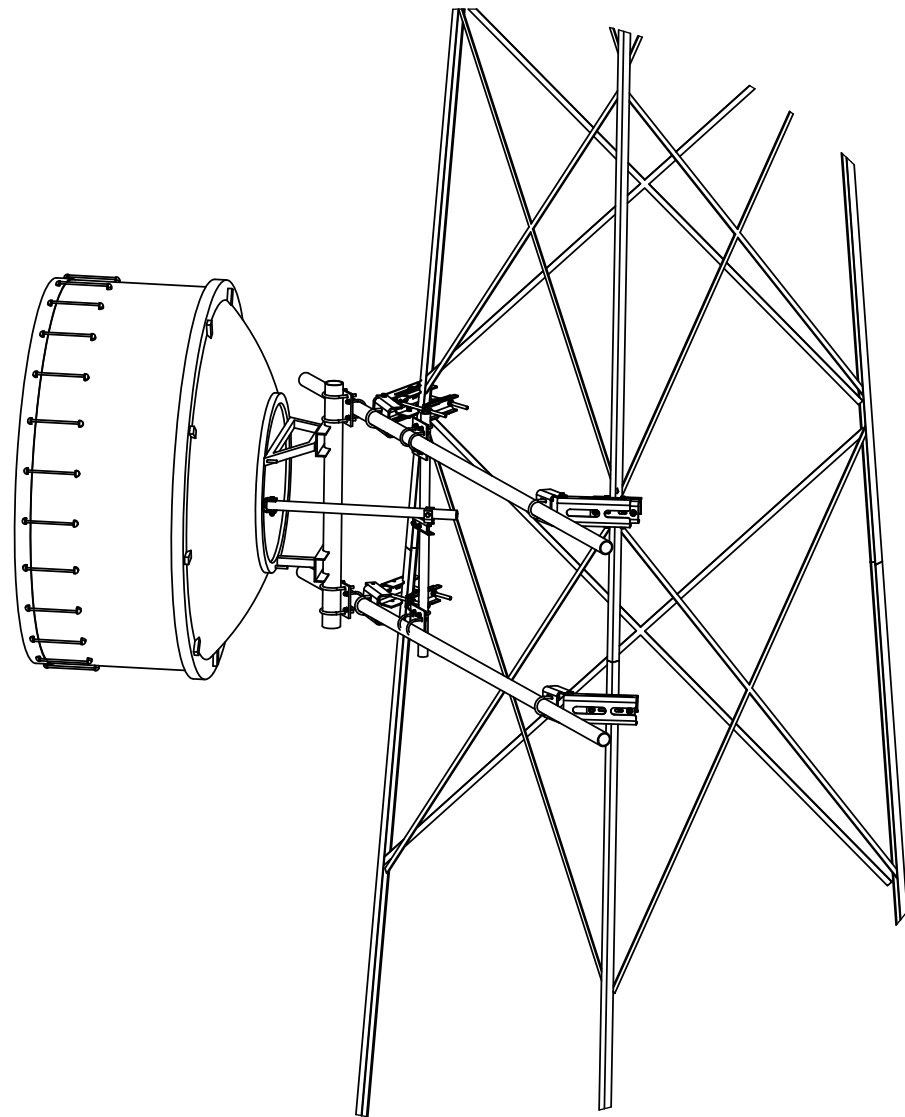
DETAIL A
SCALE 1 : 6

NOTES:
1. ALL METRIC DIMENSIONS ARE IN BRACKETS.

<small>These drawings and specifications are the proprietary property of ANDREW CORPORATION and may be used only for the specific purpose authorized in writing by Andrew Corporation.</small> ALL DIMENSIONS ARE IN INCHES U.O.S. TOLERANCES UNLESS OTHERWISE SPECIFIED: .X = ± .12 ANGLES ±2° .XX = ± .06 FRACTIONS ±1/32 .XXX = ± .03 REMOVE BURRS AND BREAK EDGES .005 DO NOT SCALE THIS PRINT	DRAWN BY: MSM	SHEET: 4 of 6	PART NUMBER: TF-M SERIES
	CHECKED BY: TP	SCALE: NTS	DESCRIPTION: TOWER FACE MOUNT SERIES DRAWING
	DATE: 01/23/09	MATERIAL: A36, A53	DRAWING TYPE: ASSEMBLY DRAWING
	REVISION: F	FINISH: GALV A123	 WESTCHESTER, IL. 60154 U.S.A.

DISH DIAMETER TO TOWER FACE MOUNT CHART

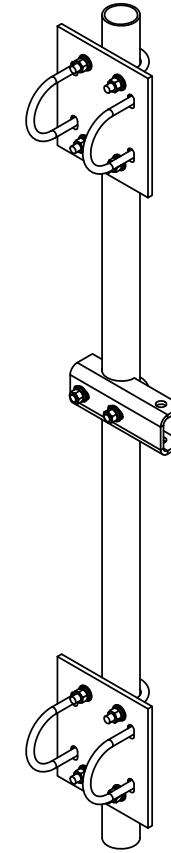
DISH DIAMETER	TOWER FACE MOUNT							
	TF-M2-8	TF-M2-14	TF-M2-20	TF-M3-8	TF-M3-14	TF-M3-20	TF-M4-8	TF-M4-14
2' (0.6m)	X	X	X	X	X	X	X	X
4' (1.2m)	X	X	X	X	X	X	X	X
6' (1.8m)	X	-	-	X	X	X	X	X
8' (2.4m)	-	-	-	X	X	X	X	X
10' (3.1m)	-	-	-	X	X	X	X	X
12' (3.7m)	-	-	-	X	X	-	-	X
15' (4.6m)	-	-	-	-	-	-	X	-




DETAIL B
SCALE 1 : 48

OPTIONAL TOWER FACE MOUNT STRUT SUPPORTS

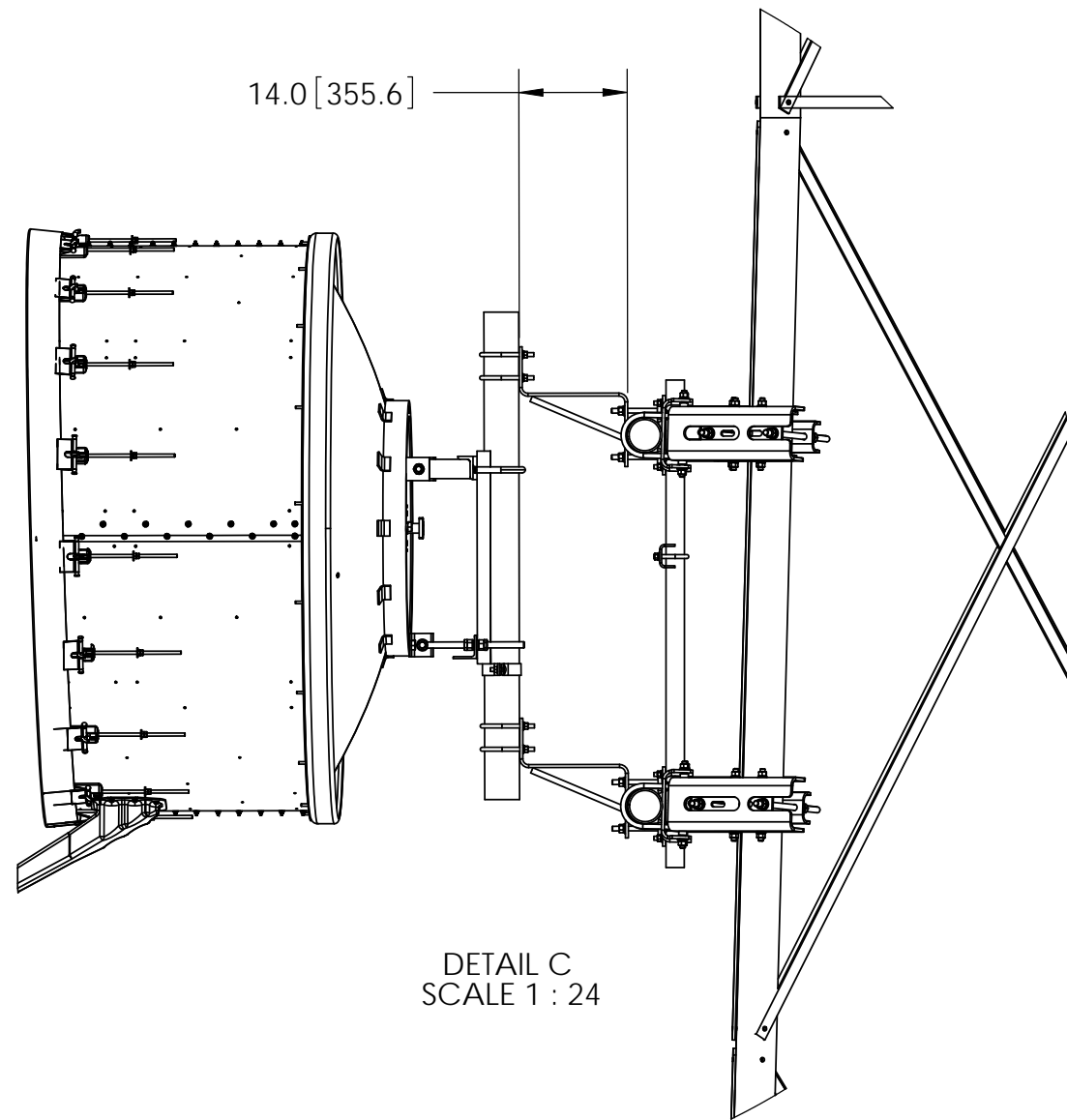
PART NO	DESCRIPTION	TF-M SERIES
TF-MSS-2	Tower Face Mount Strut Support 2-3/8"OD x 2-3/8"OD	TF-M2-xx
TF-MSS-3	Tower Face Mount Strut Support 2-3/8"OD x 3-1/2"OD	TF-M3-xx
TF-MSS-4	Tower Face Mount Strut Support 2-3/8"OD x 4-1/2"OD	TF-M4-xx



NOTE: CONSULT FACTORY/DISTRIBUTOR FOR CORRECT ASSEMBLY.

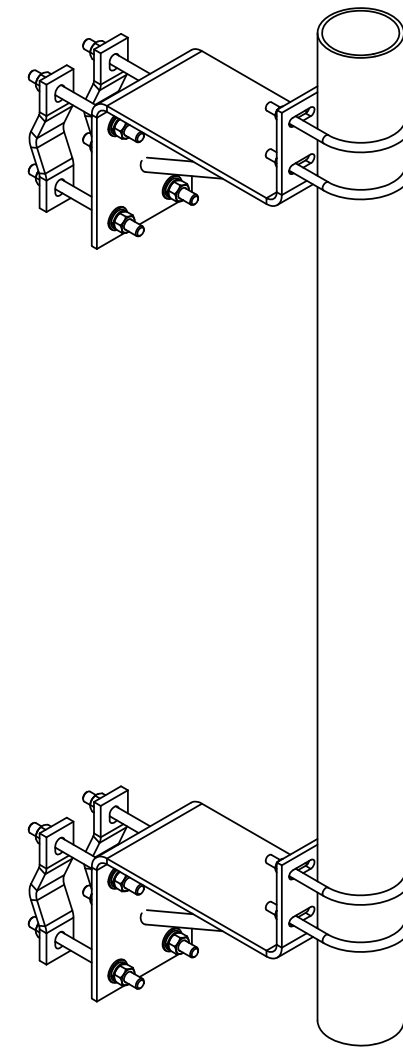
<small>These drawings and specifications are the proprietary property of ANDREW CORPORATION and may be used only for the specific purpose authorized in writing by Andrew Corporation.</small> ALL DIMENSIONS ARE IN INCHES U.O.S. TOLERANCES UNLESS OTHERWISE SPECIFIED: .X = ± .12 ANGLES ±2° .XX = ± .06 FRACTIONS ±1/32 .XXX = ± .03 REMOVE BURRS AND BREAK EDGES .005 DO NOT SCALE THIS PRINT	DRAWN BY: MSM	SHEET: 5 of 6	PART NUMBER: TF-M SERIES
	CHECKED BY: TP	SCALE: NTS	DESCRIPTION: Tower Face Mount Series Drawing
	DATE: 01/23/09	MATERIAL: A36, A53	DRAWING TYPE: ASSEMBLY DRAWING
	REVISION: F	FINISH: GALV A123	 WESTCHESTER, IL. 60154 U.S.A.
	WEIGHT: SEE CHART		

OPTIONAL TF-ST TOWER FACE MOUNT STAND-OFF



14.0 [355.6]

DETAIL C
SCALE 1 : 24



<p style="text-align: center;">These drawings and specifications are the proprietary property of ANDREW CORPORATION and may be used only for the specific purpose authorized in writing by Andrew Corporation.</p> <p>ALL DIMENSIONS ARE IN INCHES U.O.S. TOLERANCES UNLESS OTHERWISE SPECIFIED:</p> <table style="width: 100%; border: none;"> <tr> <td style="padding-right: 20px;">.X = ± .12</td> <td style="padding-right: 20px;">ANGLES</td> <td>±2°</td> </tr> <tr> <td>.XX = ± .06</td> <td>FRACTIONS</td> <td>±1/32</td> </tr> <tr> <td>.XXX = ± .03</td> <td></td> <td></td> </tr> </table> <p>REMOVE BURRS AND BREAK EDGES .005</p> <p style="text-align: center;">DO NOT SCALE THIS PRINT</p>	.X = ± .12	ANGLES	±2°	.XX = ± .06	FRACTIONS	±1/32	.XXX = ± .03			DRAWN BY: MSM	SHEET: 6 of 6	PART NUMBER: TF-M SERIES
	.X = ± .12	ANGLES	±2°									
	.XX = ± .06	FRACTIONS	±1/32									
	.XXX = ± .03											
CHECKED BY: TP	SCALE: NTS	DESCRIPTION: Tower Face Mount Series Drawing										
DATE: 01/23/09	MATERIAL: A36, A53	DRAWING TYPE: ASSEMBLY DRAWING										
REVISION: F	FINISH: GALV A123	ANDREW ® WESTCHESTER, IL. 60154 U.S.A.										
	WEIGHT: SEE CHART											