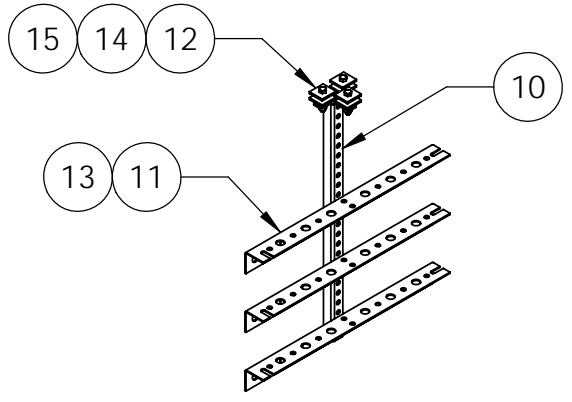
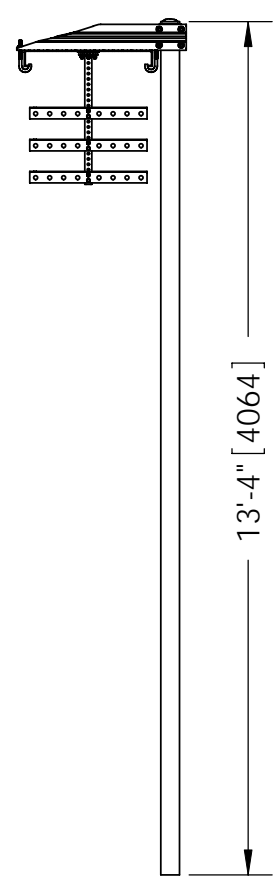
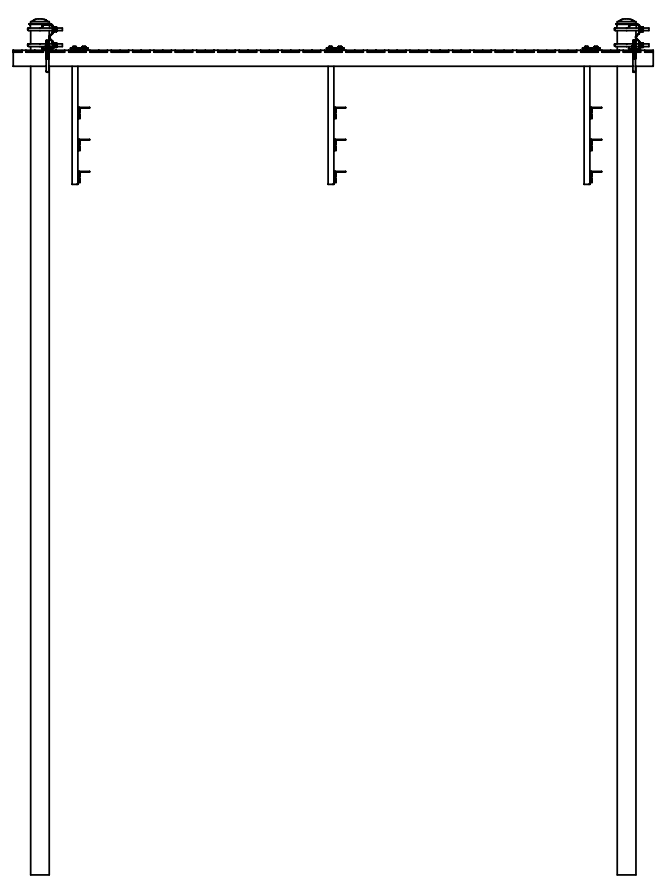
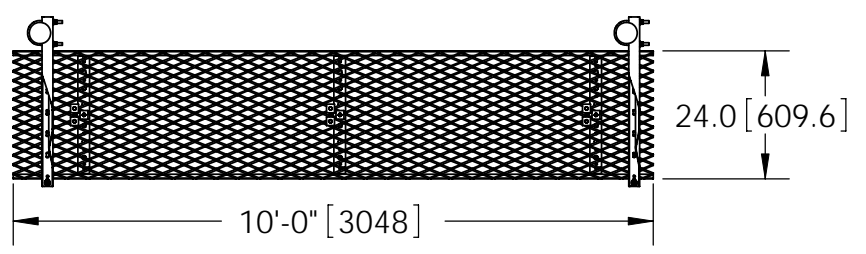
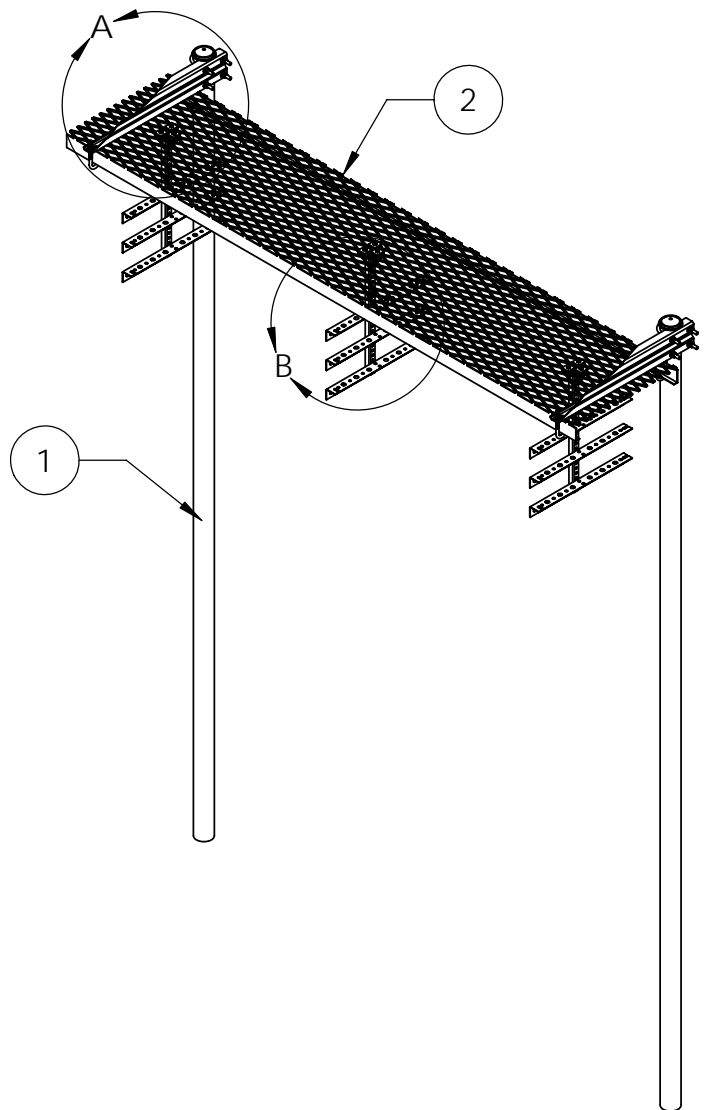
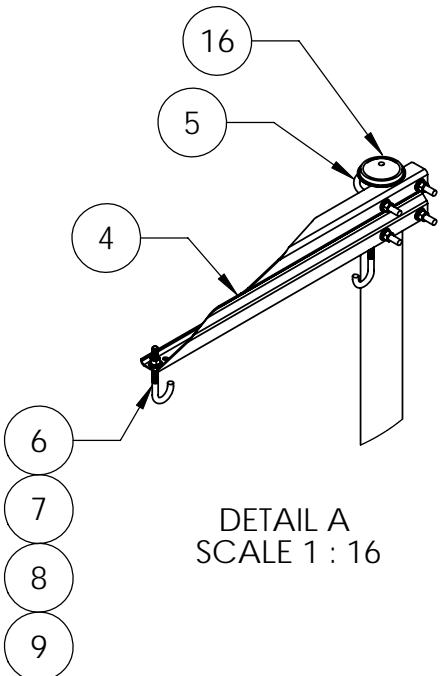


| ITEM | PART NO. | DESCRIPTION | QTY. | WEIGHT |
|------|------------|--|------|------------|
| 1 | MF-130 | Ø 3.5" O.D. X 13'-4" DIRECT BURIAL PIPE COLUMN | 2 | 101.38 LBS |
| 2 | WB-CY210 | SAFETY GRATING 24" X 10' | 1 | 111.00 LBS |
| 3 | WBK210BHK | HARDWARE KIT (ITEMS 4-16) | 1 | |
| 4 | WBLB243.08 | 24" WAVEGUIDE BRIDGE SUPPORT BRACKET | 2 | 7.14 LBS |
| 5 | GUB-4356 | 1/2" X 3-5/8" X 6" GALV U-BOLT KIT | 4 | 0.83 LBS |
| 6 | WBJB6 | 1/2" J-BOLT | 4 | 0.41 LBS |
| 7 | GWF-04 | 1/2" GALV FLAT WASHER | 4 | 0.01 LBS |
| 8 | GWL-04 | 1/2" GALV LOCK WASHER | 4 | 0.01 LBS |
| 9 | GN-04 | 1/2" GALV HEX NUT | 4 | 0.04 LBS |
| 10 | WBT243.01 | VERTICAL TRAPEZE SECTION | 3 | 2.53 LBS |
| 11 | WBT243.02 | HORIZONTAL TRAPEZE SECTION | 9 | 2.81 LBS |
| 12 | MT-387 | SQUARE WASHER, 1-1/2" X 1-5/8" W/ 7/16" HOLE | 18 | 0.12 LBS |
| 13 | GB-03105 | 3/8" X 1" GALV BOLT KIT | 18 | 0.04 LBS |
| 14 | GB-03205 | 3/8" X 2" GALV BOLT KIT | 9 | 0.04 LBS |
| 15 | GWF-03 | 3/8" GALV FLAT WASHER | 9 | 0.01 LBS |
| 16 | PC-034 | Ø 3½" PIPE CAP | 2 | 0.28 LBS |

| REVISIONS | | | | |
|-----------|------|-----------------------|-----|----------|
| REV. | ZONE | DESCRIPTION | BY | DATE |
| A | | INITIAL RELEASE | ACG | 10/08/02 |
| B | | UPDATE TRAPEZE BOM | ACG | 04/03/03 |
| C | | UPDATE TRAPEZE BOM | ACG | 05/14/04 |
| D | | UPDATE TRAPEZE BOM | ACG | 07/01/04 |
| E | | REDRAWN IN SOLIDWORKS | AW | 05/20/05 |
| F | | UPDATE WB-LB24-3 | ACG | 01/29/08 |



DETAIL B
SCALE 1 : 16

NOTES:
1. ALL METRIC DIMENSIONS ARE IN BRACKETS.

| | | | |
|---|-------------------|-----------------------------|--------------------------------------|
| These drawings and specifications are the proprietary property of ANDREW CORPORATION and may be used only for the specific purpose authorized in writing by Andrew Corporation. ALL DIMENSIONS ARE IN INCHES U.O.S. TOLERANCES UNLESS OTHERWISE SPECIFIED: .X = ± .12 ANGLES ±2° .XX = ± .06 FRACTIONS ±1/32 .XXX = ± .030 REMOVE BURRS AND BREAK EDGES .005 DO NOT SCALE THIS PRINT | DRAWN BY: ACG | SHEET: 1 of 1 | PART NUMBER: WB-K210-B |
| | CHECKED BY: TP | SCALE: NTS | DESCRIPTION: WAVEGUIDE BRIDGE KIT |
| | DATE: 01/29/08 | MATERIAL: A36, A53, A568 | DRAWING TYPE: ASSEMBLY DRAWING |
| | REVISION: F | FINISH: GALV A123 | WEIGHT: 373.19 LBS |