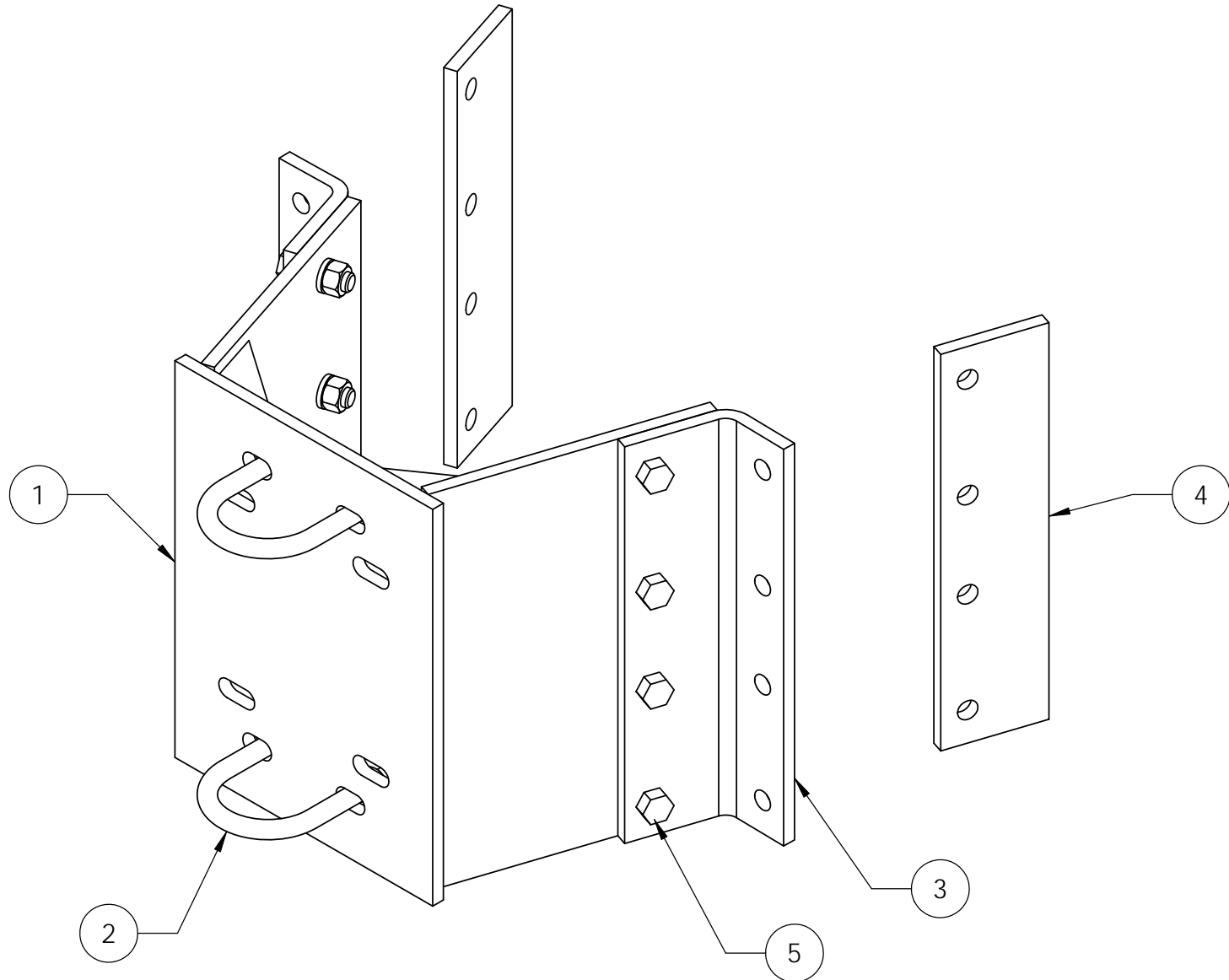
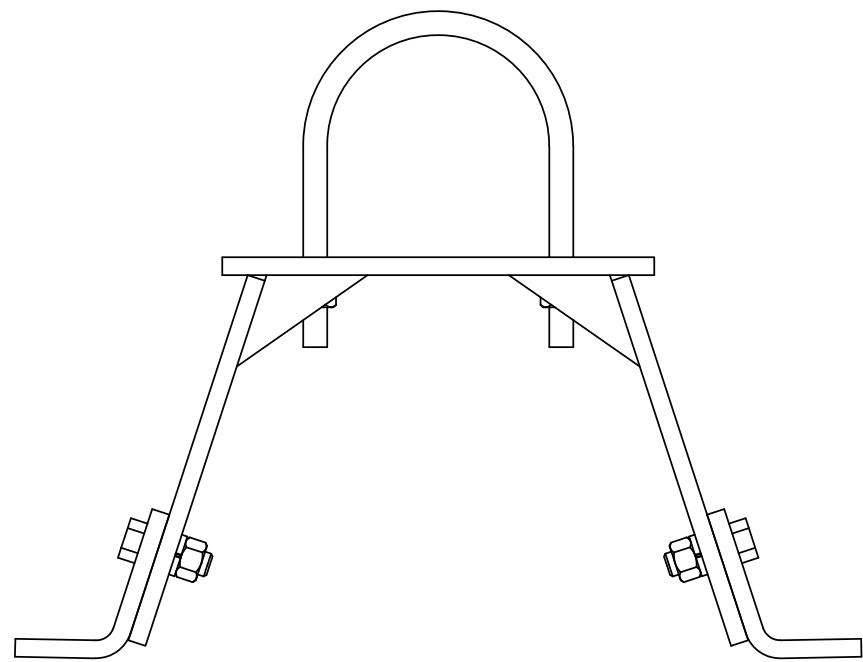



ITEM	PART NO.	DESCRIPTION	6				WEIGHT
			WT-MSM2-B	WT-MSM3-B	WT-MSM35-B	WT-MSM4-B	
1	WTMSM.01	WELDMENT - WATER TOWER MIDSPAN MOUNT	1	1	2	2	31.86 LBS
2	GUB-4240	1/2" X 2-1/2" X 4" GALV U-BOLT	2	-	-	-	0.24 LBS
2	GUB4340	1/2" X 3" X 4" GALV U-BOLT	-	2	-	-	0.24 LBS
2	GUB-4355	1/2" X 3-5/8" X 5" GALV U-BOLT	-	-	4	-	0.24 LBS
2	GUB-4456	1/2" X 4-5/8" X 6-1/2" GALV U-BOLT	-	-	-	4	0.24 LBS
3	WTMSM.05	BOLT ON ANGLE ADAPTOR	2	2	4	4	6.13 LBS
4	WTMSM.06	BOLT END ADAPTOR	2	2	4	4	3.70 LBS
5	GB-04145	1/2" X 1-1/2" GALV BOLT KIT	8	8	16	16	0.15 LBS

REVISIONS				
REV.	ZONE	DESCRIPTION	BY	DATE
A		INITIAL RELEASE	LAP	01/12/00
B		CHANGED PIPE #S IN TABLE	JTS	03/16/01
C		CHANGE TO BASE SERIES DRAWING ONLY	ACG	03/18/10



WT-MSM2-B  
SHOWN

NOTES:  
 1. ALL METRIC DIMENSIONS ARE IN BRACKETS.  
 2. WEIGHT:  
 WT-MSM2-B = 54.47 LBS  
 WT-MSM3-B = 54.47 LBS  
 WT-MSM35-B = 109.54 LBS  
 WT-MSM4-B = 109.54 LBS

<small>These drawings and specifications are the proprietary property of ANDREW CORPORATION and may be used only for the specific purpose authorized in writing by Andrew Corporation.</small> ALL DIMENSIONS ARE IN INCHES U.O.S. TOLERANCES UNLESS OTHERWISE SPECIFIED: .X = ± .12      ANGLES      ±2° .XX = ± .06      FRACTIONS      ±1/32 .XXX = ± .03 REMOVE BURRS AND BREAK EDGES .005 DO NOT SCALE THIS PRINT	DRAWN BY: ACG	SHEET: 1 of 1	PART NUMBER: <b>WT-MSM-B Series</b>
	CHECKED BY: TP	SCALE: NTS	DESCRIPTION: MID-SPAN MOUNT FOR $\phi$ 2-3/8" O.D. PIPE
	DATE: 03/18/10	MATERIAL: A36	DRAWING TYPE: ASSEMBLY DRAWING
	REVISION: <b>C</b>	FINISH: GALV A123	 WESTCHESTER, IL. 60154 U.S.A.
	WEIGHT: 54.47 LBS		