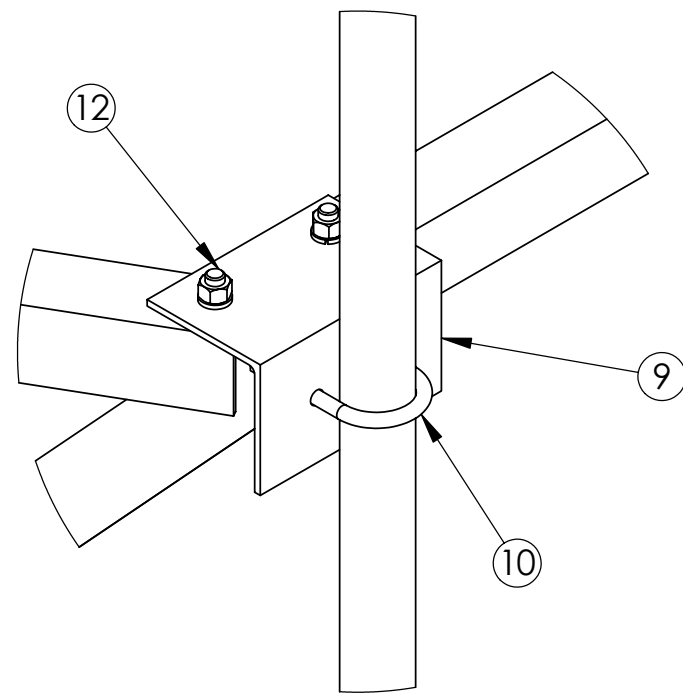


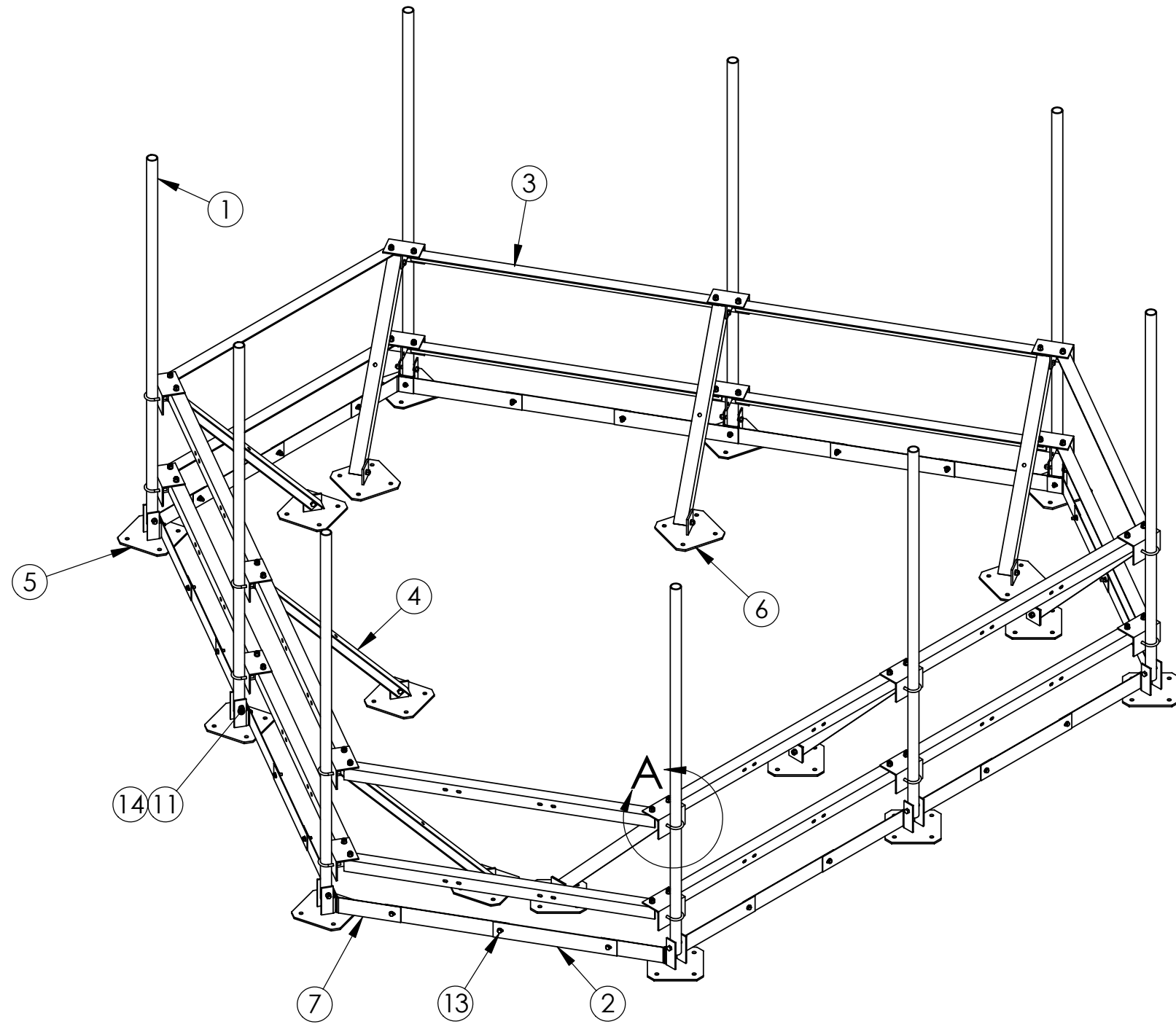
ITEM	PART NO.	DESCRIPTION	QTY.	WEIGHT
1	WRTA.32	PIPE (SEE TABLE 1)		37.10 LBS
2	WRTA.27	LONG TOE BOARD SECTION	24	3.80 LBS
3	WRTA.26	ANGLE, 6'	18	27.88 LBS
4	WRTA.25	KICKER ANGLE	9	19.85 LBS
5	WRTA.19	WELDED FOOT	9	18.23 LBS
6	WRTA.20	REAR FOOT	9	16.30 LBS
7	WRTA.29	ANGLE TOE BOARD SECTION	6	2.44 LBS
8	WRTAH	HARDWARE KIT ITEM#9-14	1	
9	WRTA.21	WELDED BRACKET	18	7.11 LBS
10	GUB-4240	1/2" X 2-1/2" X 4" GALV U-BOLT KIT	30	0.56 LBS
11	GB-05445	5/8" X 4-1/2" GALV BOLT KIT	9	0.48 LBS
12	GB-05145	5/8" X 1-1/2" GALV BOLT KIT	52	0.22 LBS
13	GWF-04	1/2" GALV FLAT WASHER	78	0.02 LBS
14	GB-04145	1/2" X 1-1/2" GALV BOLT KIT	39	0.22 LBS

REVISIONS				
REV.	ZONE	DESCRIPTION	BY	DATE
D		NEW DESIGN	AW	04/01/05

ASSEMBLY #	PART #	QTY.	WEIGHT
WT-RTA12-9-96	WRTA.32	9	1613.20 LBS
WT-RTA12-12-96	WRTA.32	15	1835.80 LBS



DETAIL A



<p>These drawings and specifications are the proprietary property of ANDREW CORPORATION and may be used only for the specific purpose authorized in writing by Andrew Corporation.</p> <p>ALL DIMENSIONS ARE IN INCHES U.O.S. TOLERANCES UNLESS OTHERWISE SPECIFIED:</p> <p>.X = ± .06 ANGLES ± 2° .XX = ± .03 FRACTIONS ± 1/32 .XXX = ± .010</p> <p>REMOVE BURRS AND BREAK EDGES .005</p> <p>DO NOT SCALE THIS PRINT</p>	<p>DRAWN BY: AW</p> <p>CHECKED BY: TP</p> <p>DATE: 04/01/05</p> <p>REVISION: D</p>	<p>SHEET: 1 of 1</p> <p>SCALE: NTS</p> <p>MATERIAL: A36</p> <p>FINISH: GALV A123</p> <p>WEIGHT: SEE TABLE 1</p>	<p>PART NUMBER: WT-RTA12 SERIES</p> <p>DESCRIPTION: 12' WATER TOWER ROOF TOP ASSEMBLY</p> <p>DRAWING TYPE: ASSEMBLY DRAWING</p>
	<p>ORLAND PARK, IL. 60462 U.S.A.</p>		
	<p>ANDREW®</p>		