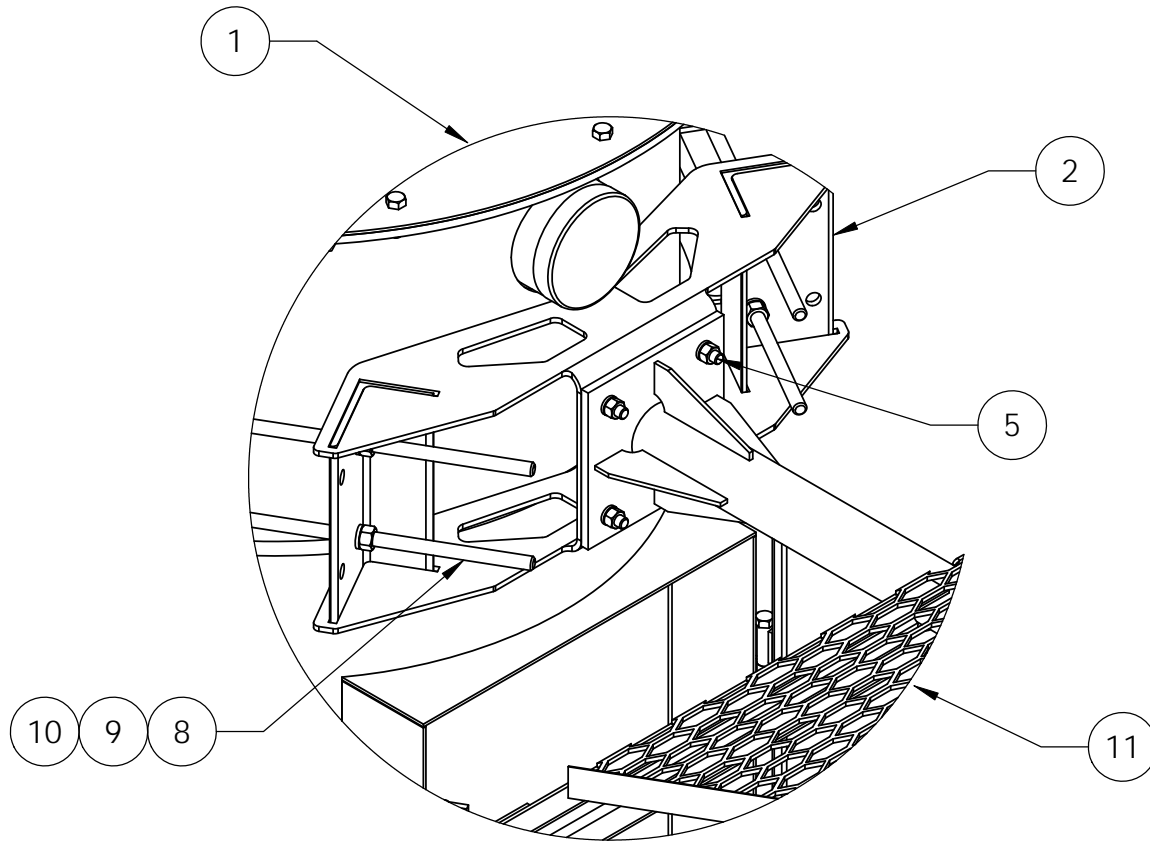
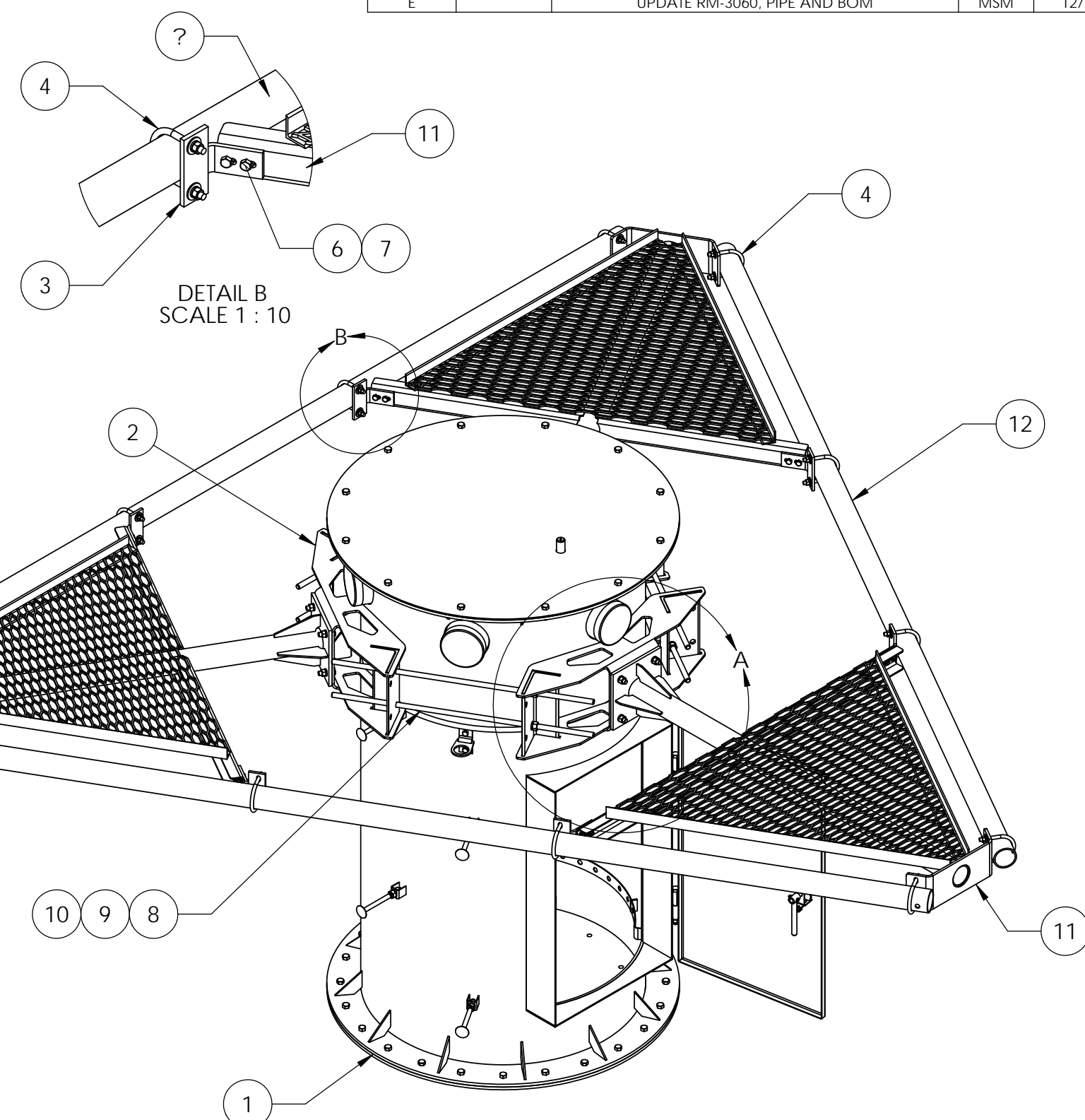


ITEM	PART NO.	DESCRIPTION	QTY.	WEIGHT
1	WT-SPM-B	STACKABLE POD MOUNT	1	1796.18 LBS
2	RM3060	30"-60" Ring Mount Weldment	3	63.09 LBS
3	MT196.17	MT196 Pipe Mount Plate	6	2.49 LBS
4	GUB-4355	1/2" X 3-5/8" X 5" GALV U-BOLT KIT	12	0.71 LBS
5	GB-0520A	5/8" X 2" GALV BOLT KIT (A325)	12	0.26 LBS
6	GB-04145	1/2" X 1-1/2" GALV BOLT KIT	12	0.13 LBS
7	GWF-04	1/2" GALV FLAT WASHER	12	0.03 LBS
8	MT-384-40	3/4" X 40" GALV THREADED ROD	6	4.97 LBS
9	GWL-06	3/4" GALV LOCK WASHER	12	0.00 LBS
10	GN-06	3/4" GALV HEX NUT	12	0.04 LBS
11	MT196.01	Low Profile Co-Location Platform 12'-6"	3	140.53 LBS
12	WTSPM62	WT-SPM12 PIPE 3.50"OD X 160"	3	100.38 LBS

REVISIONS				
REV.	ZONE	DESCRIPTION	BY	DATE
C		REDSIGN	ACG	10/24/06
D		REDESIGN OF MT-196	MSM	04/15/08
E		UPDATE RM-3060, PIPE AND BOM	MSM	12/13/12




DETAIL A
SCALE 1 : 10



DETAIL B
SCALE 1 : 10

NOTES:
1. ALL METRIC DIMENSIONS ARE IN BRACKETS.

<small>These drawings and specifications are the proprietary property of ANDREW CORPORATION and may be used only for the specific purpose authorized in writing by Andrew Corporation.</small> ALL DIMENSIONS ARE IN INCHES U.O.S. TOLERANCES UNLESS OTHERWISE SPECIFIED: .X = ± .12 ANGLES ±2° .XX = ± .06 FRACTIONS ±1/32 .XXX = ± .03 REMOVE BURRS AND BREAK EDGES .005 DO NOT SCALE THIS PRINT	DRAWN BY: MSM	SHEET: 1 of 1	PART NUMBER: WT-SPM12-B
	CHECKED BY: TP	SCALE: NTS	DESCRIPTION: Stackable Pod Mount Assembly
	DATE: 04/15/08	MATERIAL: A36, A53, A500	DRAWING TYPE: ASSEMBLY DRAWING
	REVISION: E	FINISH: GALV A123 WEIGHT: 2773.36 LBS	 WESTCHESTER, IL. 60154 U.S.A.