

4

3

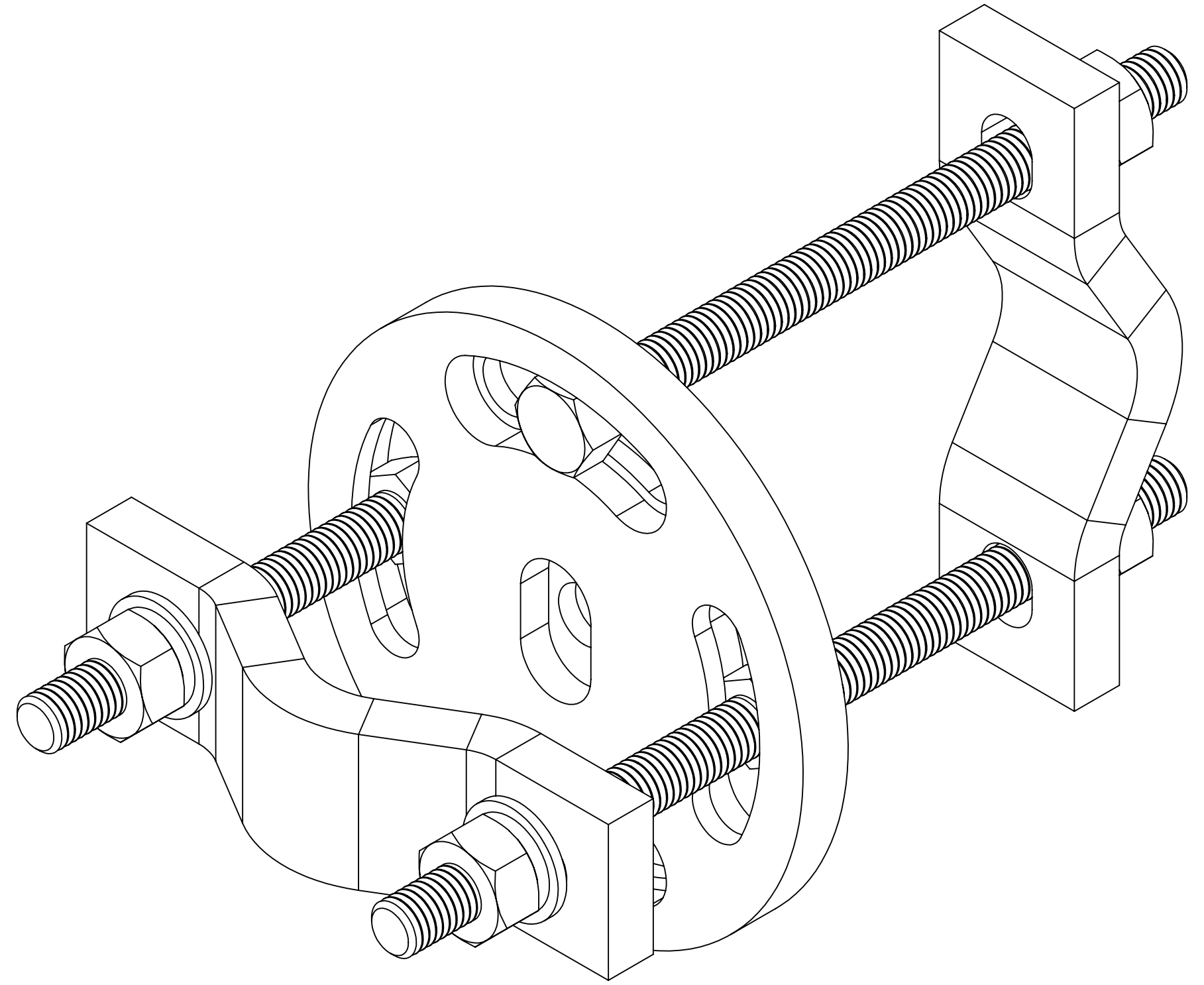
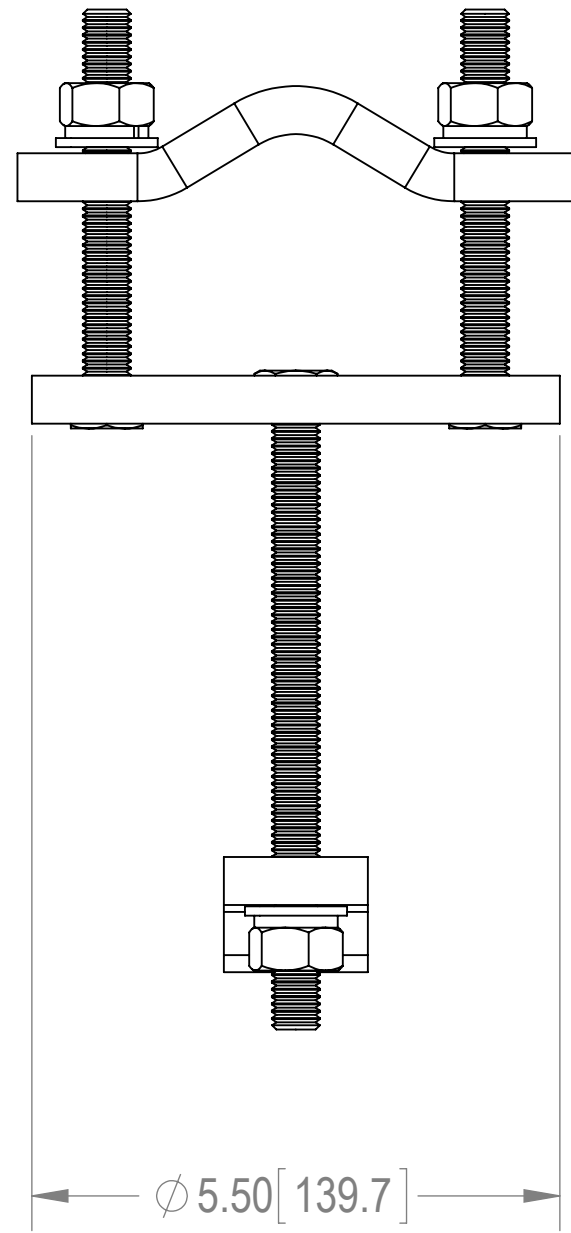
2

1

NOTES:

1.0 ALL METRIC DIMENSIONS ARE IN BRACKETS.

REVISIONS				
REV.	ECN	DESCRIPTION	BY	DATE
A	8000017345	INITIAL RELEASE	RDL	11/15/16



ITEM	PART NO.	DESCRIPTION	QTY.	WEIGHT	NOTE NO.
1	PCC4.01	PUCK CROSSOVER CLAMP, 4"	1	2.20 LBS	
2	SCP10	SMALL DISH CLAMP HALF	2	1.20 LBS	
3	GWFO4A	1/2" GALV FLAT WASHER (A325)	4	0.02 LBS	
4	GN-04A	1/2" GALV HEX NUT (A194 2H)	4	0.07 LBS	
5	GWL-04	1/2" GALV LOCK WASHER	4	0.01 LBS	
6	GB04405FT	1/2-13 UNC X 4" GALV FULL THREAD HEX BOLT (GRADE 5)	2	0.24 LBS	
7	GB04645FT	1/2-13 UNC X 6 1/2" GALV FULL THREAD HEX BOLT (GRADE 5)	2	0.36 LBS	

DENSITY		lbs/in ³
MASS	6.19	lbs
VOLUME		in ³
SURFACE AREA		in ²
HEIGHT		
LENGTH		
WIDTH		

COMMSCOPE, INC. OF NORTH CAROLINA										
TOLERANCES					SAP MATERIAL MASTER					
0 PLACE X ± .25		2 PLACE .XX ± .06			XP-R					
1 PLACE .X ± .12		ANGLES ± 2°								
FINISH					MATERIAL					
ASTM A123					A36					
UNLESS OTHERWISE SPECIFIED DIMENSIONS ARE IN MILLIMETERS INTERPRET PER ISO STANDARDS HANDBOOK TECHNICAL DRAWINGS VOLUMES 1 & 2, THIRD EDITION (2002)	CE	NAME	DATE	TITLE						
	RW	RDL	11/15/16	CROSSOVER PLATE, ROUND, UP TO 3.5" OD						
	RV									
	AD			SCALE	DOCUMENT NO.					
	RE	TP	11/15/16	1:2	XP-R					
ECN	8000017345			SIZE	WORK AREA	MODEL			DRAWING	
				C		VERSION	STATUS	REVISION	VERSION	STATUS
										REVISION
										A
										SHEET
										1 OF 1

4

3

2

1