

CHB726-01-2X

Twin Hybrid Combiner



OBSOLETE

This product was discontinued on: December 31, 2021

Replaced By:

CHB626-43-2X
D15T01P38

Twin Hybrid Combiner

Product Classification

Product Type	Hybrid combiner
Product Brand	UltraBand™

General Specifications

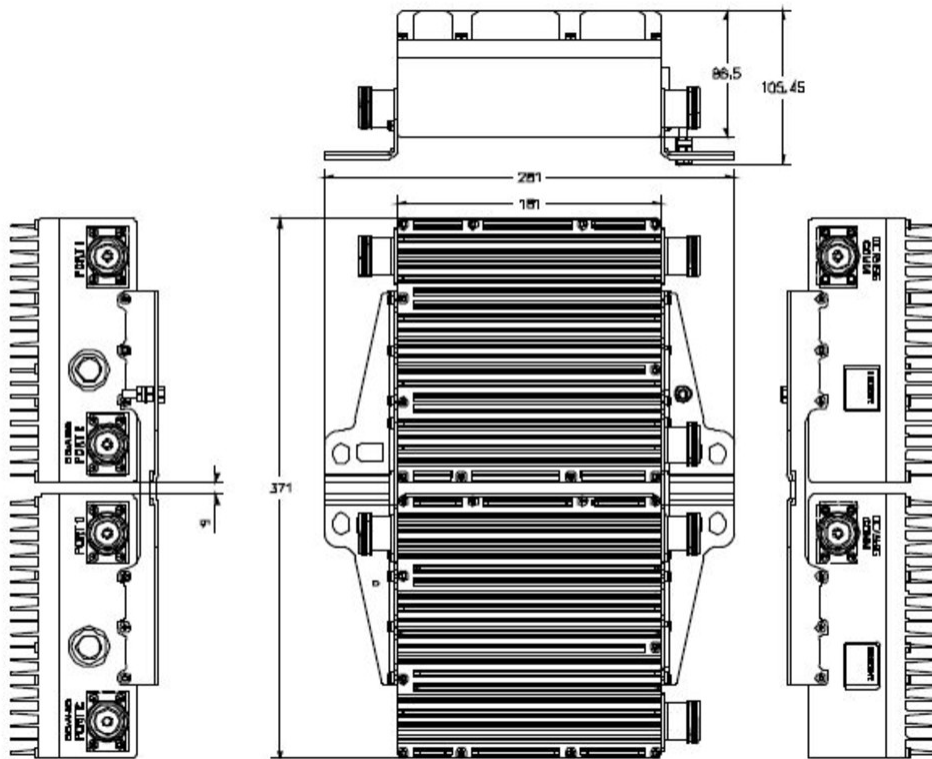
AISG Carrier	2176 KHz ± 100 ppm
Color	Gray
Connector Interface	7-16 DIN Female
Modularity	Two-pack twin
Mounting	Pole Wall
Mounting Pipe Hardware	Band clamps

Dimensions

Height	181 mm 7.126 in
Width	371 mm 14.606 in
Depth	86.5 mm 3.406 in
Ground Screw Diameter	6 mm 0.236 in

Outline Drawing

CHB726-01-2X



Electrical Specifications

3rd Order IMD Test Method	Two +43 dBm carriers
3rd Order IMD, typical	-160 dBc
dc Pass-through	Branch 2
Lightning Surge Current	10 kA
Lightning Surge Current Waveform	8/20 waveform

Electrical Specifications, AISG

dc Current, maximum	2.5 A
Insertion Loss, maximum	0.5 dB
Return Loss, minimum	16 dB

Electrical Specifications, Branch 1

Coupling	3.1 dB
Coupling Tolerance	± 0.5 dB
Input Power, PEP	3000 W

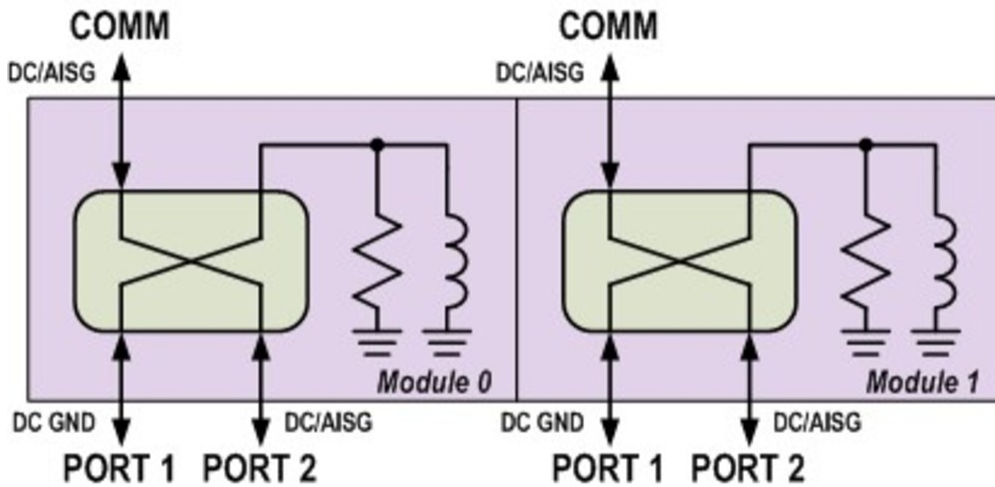
CHB726-01-2X

Input Power, RMS	150 W
Isolation, typical	30 dB
Operating Frequency Band	698 – 2700 MHz
Port Designation	Port 1
Insertion Loss Ripple, maximum	±0.4 dB
Return Loss, minimum	20 dB

Electrical Specifications, Branch 2

Coupling	3.1 dB
Coupling Tolerance	±0.5 dB
Input Power, PEP	3000 W
Input Power, RMS	150 W
Isolation, typical	30 dB
Operating Frequency Band	698 – 2700 MHz
Port Designation	Port 2
Insertion Loss Ripple, maximum	±0.4 dB
Return Loss, minimum	20 dB

Block Diagram



Environmental Specifications

Operating Temperature	-40 °C to +65 °C (-40 °F to +149 °F)
------------------------------	--------------------------------------

CHB726-01-2X

Ingress Protection Test Method IEC 60529:2001, IP67

Packaging and Weights

Included Mounting hardware

Weight, net 9 kg | 19.842 lb

Regulatory Compliance/Certifications

Agency

CHINA-ROHS

ISO 9001:2015

REACH-SVHC

ROHS

Classification

Below maximum concentration value

Designed, manufactured and/or distributed under this quality management system

Compliant as per SVHC revision on www.commscope.com/ProductCompliance

Compliant

