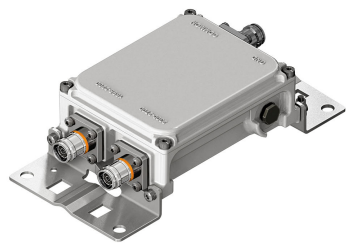


E12F02P46



Diplexer, 1695-2200/2300-2700 MHz, dc bypass all ports with 4.3-10 connectors

- Industry leading PIM performance
- New 4.3-10 connectors for improved PIM performance and size reduction
- dc/AISG pass-through on all frequency ports
- Designed for network Modernization, introduction of LTE2600 on existing site

OBSOLETE

This product was discontinued on: December 30, 2024

Replaced By:

E14F55P16

Ultra Compact Twin Diplexer 1710-2180/2500-2690 MHz, 4.3-10 connectors

Product Classification

Product Type Diplexer

General Specifications

Product Family CBC1726

Color Gray

Common Port Label COMM

Modularity 1-Single

Mounting Pole | Wall

Mounting Pipe Hardware Band clamps (2)

RF Connector Interface 4.3-10 Female

RF Connector Interface Body Style Long neck

Dimensions

Height 152.4 mm | 6 in

Width 123 mm | 4.843 in

Depth 59 mm | 2.323 in

RF Connector Length 25 mm | 0.984 in

Ground Screw Diameter 6 mm | 0.236 in

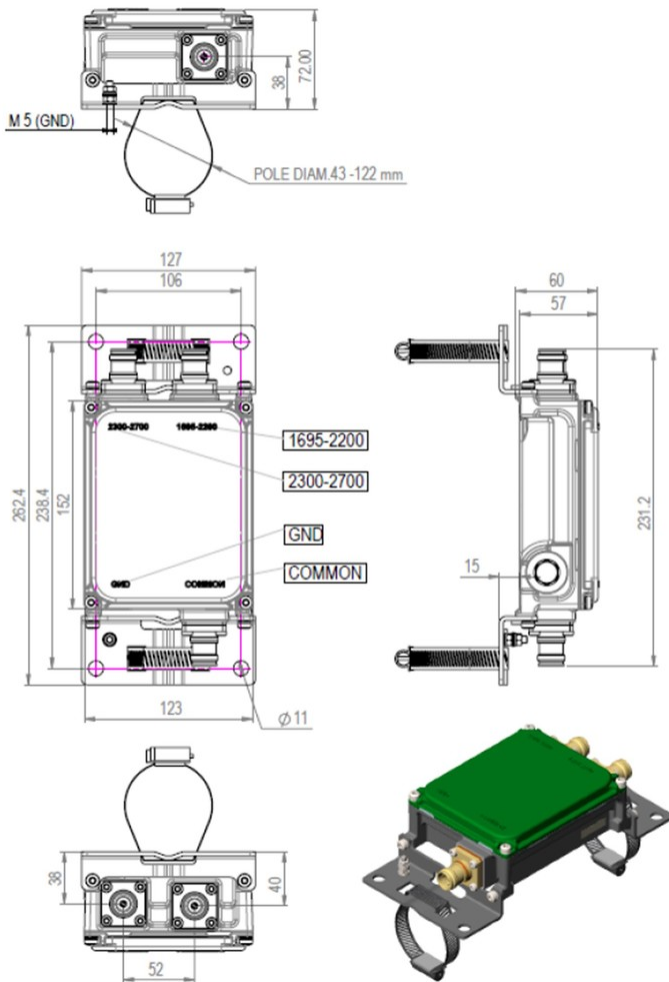
E12F02P46

Mounting Pipe Diameter Range

42.6–122 mm

E12F02P46

Outline Drawing



Electrical Specifications

Impedance	50 ohm
License Band, Band Pass	AWS 1700 DCS 1800 IMT 2100 IMT 2600 PCS 1900 WCS 2300

Electrical Specifications, dc Power/Alarm

dc/AISG Pass-through Method	Factory set
dc/AISG Pass-through Path	Branch 1 Branch 2
dc/AISG Pass-through, combiner	Branch 1 Branch 2
dc/AISG Pass-through, demultiplexer	Branch 1 Branch 2
Lightning Surge Current	3 kA

E12F02P46

Lightning Surge Current Waveform

10/350 waveform

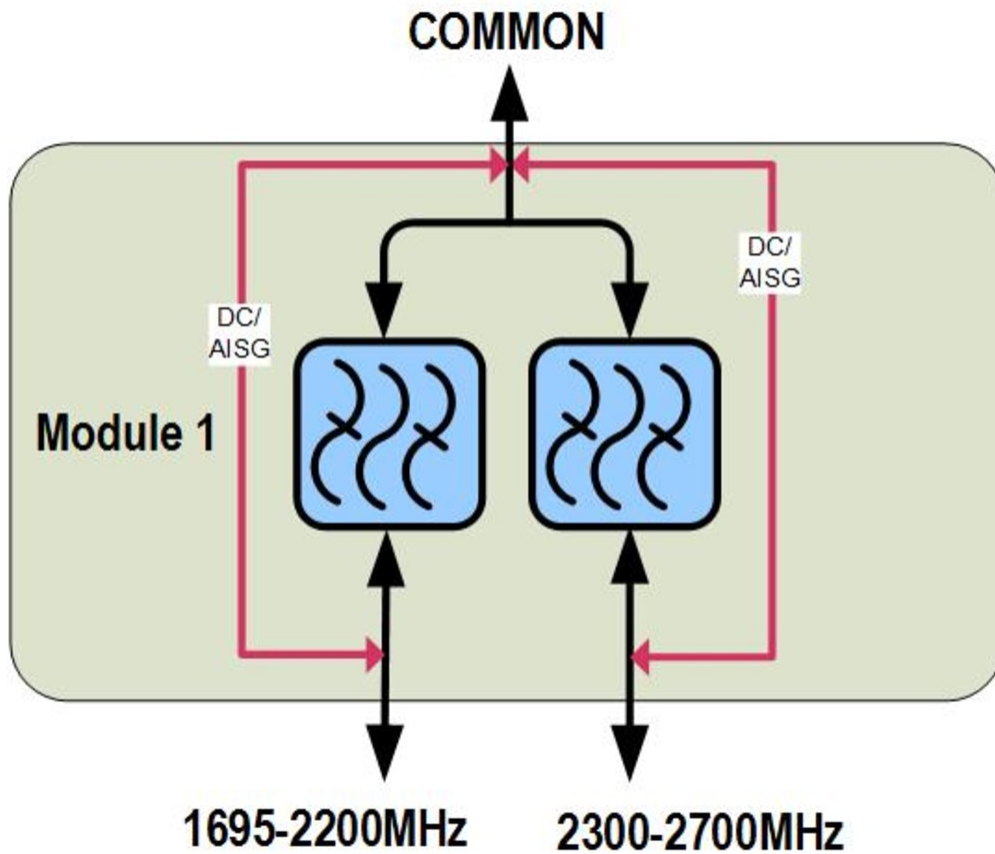
Electrical Specifications

Sub-module	1	1
Branch	1	2
Port Designation	1695-2200	2300-2700
License Band	AWS 1700, Band Pass DCS 1800, Band Pass IMT 2100, Band Pass PCS 1900, Band Pass	IMT 2600, Band Pass WCS 2300, Band Pass

Electrical Specifications, Band Pass

Frequency Range, MHz	1695–2200	2300–2700
Insertion Loss, typical, dB	0.2	0.2
Total Group Delay, maximum, ns	30	30
Return Loss, typical, dB	20	20
Isolation, minimum, dB	50	50
Input Power, PEP, maximum, W	3500	3500
3rd Order PIM, typical, dBc	-160	-160
3rd Order PIM Test Method	Two +43 dBm carriers	Two +43 dBm carriers

Block Diagram



Environmental Specifications

Operating Temperature	-40 °C to +60 °C (-40 °F to +140 °F)
Relative Humidity	Up to 100%
Corrosion Test Method	IEC 60068-2-11, 30 days
Ingress Protection Test Method	IEC 60529:2001, IP67

Packaging and Weights

Included	Mounting hardware
Volume	1.2 L
Weight, net	2.4 kg 5.291 lb
Weight, without mounting hardware	2 kg 4.409 lb