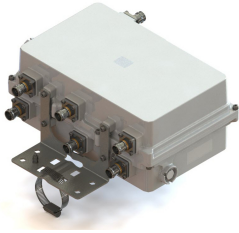


# E12F03P18

---



## CS-TPX 700/825-880/898.4-960 DC ALL, RJ30

- New 4.3-10 connectors for improved PIM performance and size reduction
- Additional Rejection in 880-890 MHz band 30 dB
- Twin configuration
- dc/AISG pass-through on all frequency ports

## Product Classification

**Product Type** Triplexer

## General Specifications

**Product Family** CBC1821

**Color** Gray

**Common Port Label** PORT 3 COMMON

**Modularity** 2-Twin

**Mounting** Pole | Wall

**Mounting Pipe Hardware** Band clamps (2)

**RF Connector Interface** 4.3-10 Female

**RF Connector Interface Body Style** Long neck

## Dimensions

**Height** 337 mm | 13.268 in

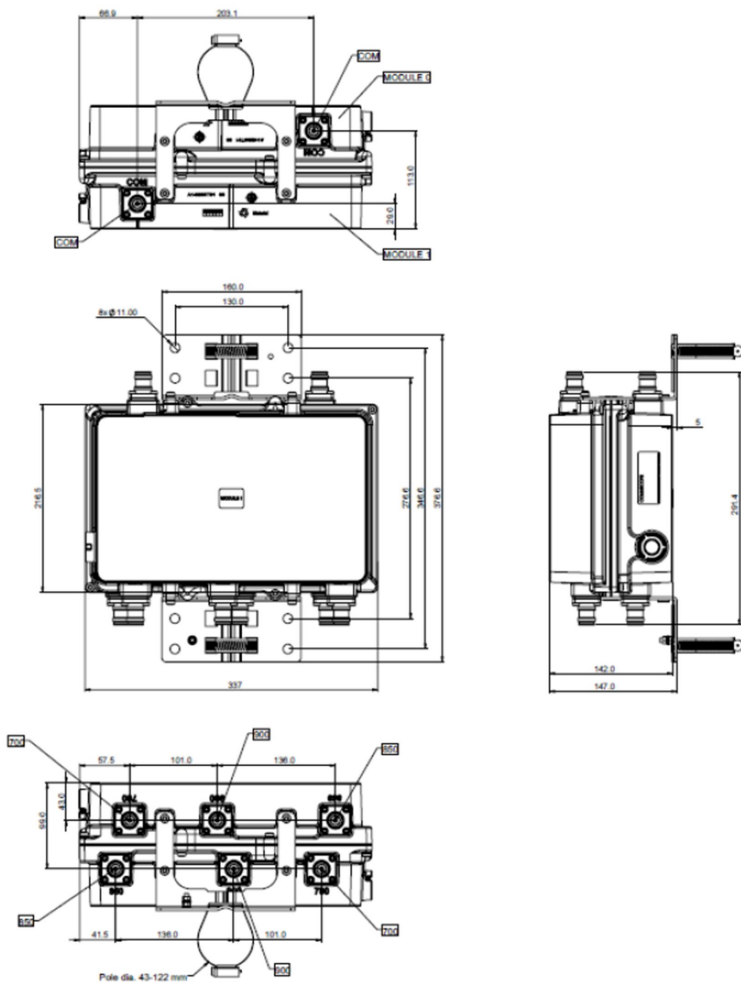
**Width** 216.5 mm | 8.524 in

**Depth** 142 mm | 5.591 in

**Mounting Pipe Diameter Range** 42.6–122 mm

## Outline Drawing

# E12F03P18



## Electrical Specifications

<b>Impedance</b>	50 ohm
<b>License Band, Band Pass</b>	APT 700   CEL 850   CEL 900   DCS 1800   IMT 2100   USA 700

## Electrical Specifications, dc Power/Alarm

<b>dc/AISG Pass-through Method</b>	Factory set
<b>dc/AISG Pass-through Path</b>	Branch 1   Branch 2   Branch 3
<b>dc/AISG Pass-through, combiner</b>	Branch 1   Branch 2   Branch 3
<b>dc/AISG Pass-through, demultiplexer</b>	Branch 1   Branch 2   Branch 3
<b>Lightning Surge Current</b>	5 kA
<b>Lightning Surge Current Waveform</b>	8/20 waveform

# E12F03P18

## Electrical Specifications

<b>Sub-module</b>	<b>1   2</b>	<b>1   2</b>	<b>1   2</b>
<b>Branch</b>	1	2	3
<b>Port Designation</b>	PORT 1 850	PORT 2 900	PORT 3 700
<b>License Band</b>	CEL 850, Band Pass	CEL 900, Band Pass	APT 700, Band Pass USA 700, Band Pass

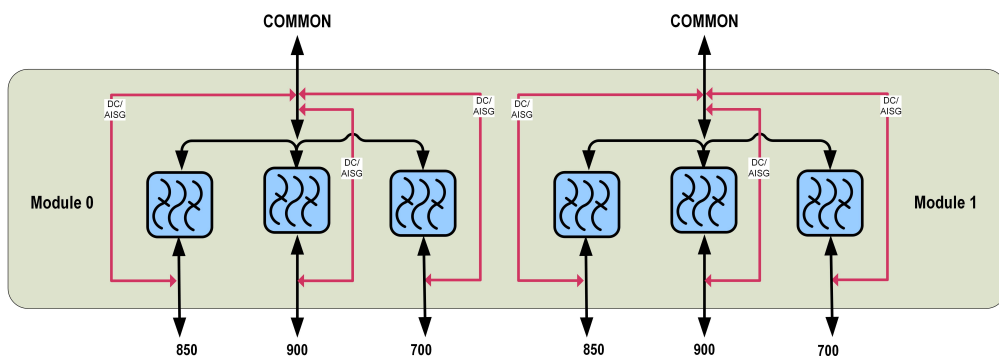
## Electrical Specifications, Band Pass

<b>Frequency Range, MHz</b>	<b>825–880</b>	<b>898.4–960</b>	<b>703–803</b>
<b>Insertion Loss, typical, dB</b>	0.35	0.3	0.3
<b>Return Loss, typical, dB</b>	20	20	20
<b>Isolation, minimum, dB</b>	50	50	50
<b>Input Power, RMS, maximum, W</b>	160	160	160
<b>Input Power, PEP, maximum, W</b>	2500	2500	2500
<b>3rd Order PIM, typical, dBc</b>	-153	-153	-153
<b>3rd Order PIM Test Method</b>	Two +43 dBm carriers	Two +43 dBm carriers	Two +43 dBm carriers

## Electrical Specifications, Band Reject

<b>Frequency Range, MHz</b>	<b>880–890</b>
<b>Attenuation, minimum, dB</b>	30

## Block Diagram



## Environmental Specifications

<b>Operating Temperature</b>	-40 °C to +60 °C (-40 °F to +140 °F)
<b>Corrosion Test Method</b>	IEC 60068-2-11, 30 days
<b>Ingress Protection Test Method</b>	IEC 60529:2001, IP67

# E12F03P18

---

## Packaging and Weights

<b>Included</b>	Mounting hardware
<b>Volume</b>	10.5 L
<b>Weight, net</b>	12 kg   26.455 lb

## Regulatory Compliance/Certifications

<b>Agency</b>	<b>Classification</b>
ISO 9001:2015	Designed, manufactured and/or distributed under this quality management system

