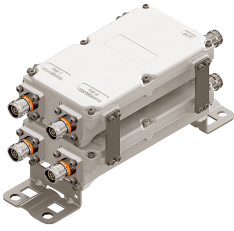


# E14F05P15

---



Twin 2-pak Diplexer, 380–960 MHz/1695-2690 MHz, dc pass low, with 4.3-10 connectors

- Industry leading PIM performance
- New 4.3-10 connectors for improved PIM performance and size reduction
- dc/AISG pass-through on low frequency ports
- Minimal Insertion Loss
- Ultra-wideband low-band combiner
- Ultra-wideband high-band combiner
- BTS-to-feeder and feeder-to-antenna application
- Twin configuration

## Product Classification

**Product Type** Diplexer

## General Specifications

**Product Family** CBC426

**Color** Gray

**Common Port Label** ANT

**Modularity** 2-Twin

**Mounting** Pole | Wall

**Mounting Pipe Hardware** Band clamps (2)

**RF Connector Interface** 4.3-10 Female

**RF Connector Interface Body Style** Medium neck

## Dimensions

**Height** 200 mm | 7.874 in

**Width** 111 mm | 4.37 in

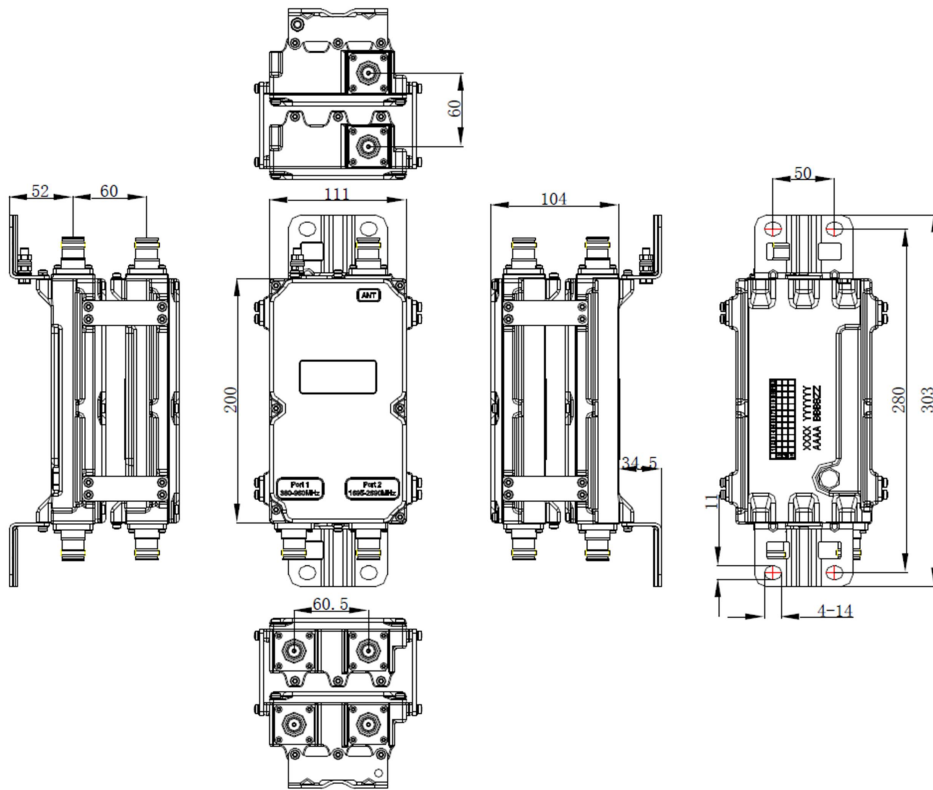
**Depth** 104 mm | 4.094 in

**Ground Screw Diameter** 5 mm | 0.197 in

**Mounting Pipe Diameter Range** 40–160 mm

# E14F05P15

## Outline Drawing



## Electrical Specifications

<b>Impedance</b>	50 ohm
<b>License Band, Band Pass</b>	APT 700   AWS 1700   CEL 850   CEL 900   DCS 1800   EDD 800   IMT 2100   IMT 2600   LMR 750   LMR 800   LMR 900   PCS 1900   TDD 2300   TDD 2600   USA 700   USA 750   WCS 2300

## Electrical Specifications, dc Power/Alarm

<b>dc/AISG Pass-through Method</b>	Factory set
<b>dc/AISG Pass-through Path</b>	Branch 1
<b>dc/AISG Pass-through, combiner</b>	Branch 1
<b>dc/AISG Pass-through, demultiplexer</b>	Branch 1
<b>Lightning Surge Current</b>	10 kA
<b>Lightning Surge Current Waveform</b>	8/20 waveform

## Electrical Specifications, AISG

# E14F05P15

<b>AISG Carrier</b>	2176 KHz ± 100 ppm
<b>Insertion Loss, maximum</b>	0.5 dB
<b>Return Loss, minimum</b>	15 dB

## Electrical Specifications

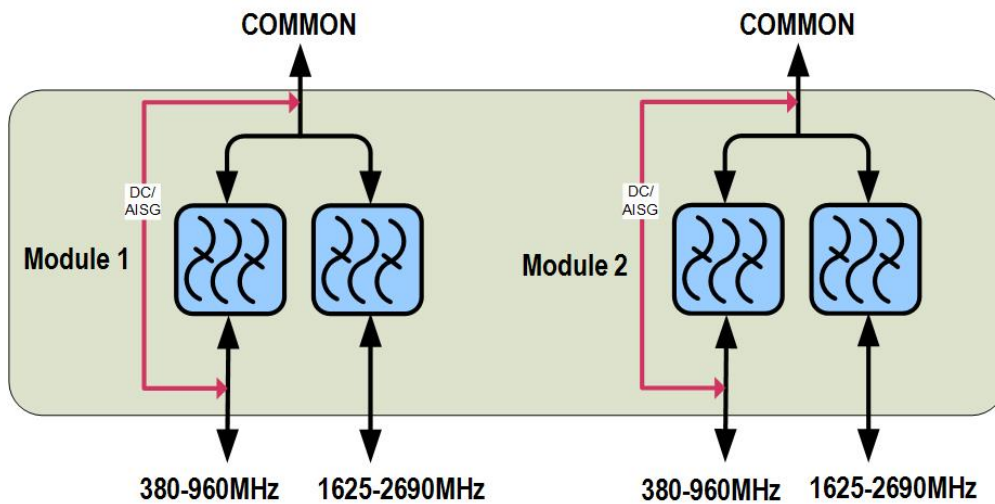
<b>Sub-module</b>	<b>1   2</b>	<b>1   2</b>
<b>Branch</b>	1	2
<b>Port Designation</b>	PORT 1 380-960	PORT 2 1695-2690
<b>License Band</b>	APT 700, Band Pass CEL 850, Band Pass CEL 900, Band Pass EDD 800, Band Pass LMR 750, Band Pass LMR 800, Band Pass LMR 900, Band Pass USA 700, Band Pass USA 750, Band Pass	AWS 1700, Band Pass DCS 1800, Band Pass IMT 2100, Band Pass IMT 2600, Band Pass PCS 1900, Band Pass TDD 2300, Band Pass TDD 2600, Band Pass WCS 2300, Band Pass

## Electrical Specifications, Band Pass

	<b>380–960</b>	<b>1695–2690</b>
<b>Frequency Range, MHz</b>		
<b>Insertion Loss, typical, dB</b>	0.15	0.15
<b>Total Group Delay, maximum, ns</b>	10	10
<b>Return Loss, typical, dB</b>	21	20
<b>Isolation, minimum, dB</b>	50	50
<b>Input Power, RMS, maximum, W</b>	500	500
<b>Input Power, PEP, maximum, W</b>	5000	5000
<b>3rd Order PIM, typical, dBc</b>	-160	-160
<b>3rd Order PIM Test Method</b>	2 x 20 W CW tones	2 x 20 W CW tones

## Block Diagram

# E14F05P15



## Environmental Specifications

<b>Operating Temperature</b>	-40 °C to +65 °C (-40 °F to +149 °F)
<b>Relative Humidity</b>	5%–100%
<b>Corrosion Test Method</b>	IEC 60068-2-11, 30 days
<b>Ingress Protection Test Method</b>	IEC 60529:2001, IP67

## Packaging and Weights

<b>Included</b>	Mounting hardware
<b>Volume</b>	2.5 L
<b>Weight, net</b>	5 kg   11.023 lb

## Regulatory Compliance/Certifications

<b>Agency</b>	<b>Classification</b>
ISO 9001:2015	Designed, manufactured and/or distributed under this quality management system

