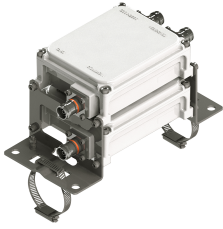


# E14F05P16

---



Twin Diplexer, 1695-2200/2300-2700 MHz, dc bypass all ports, 4.3-10 connectors

- Industry leading PIM performance
- New 4.3-10 connectors for improved PIM performance and size reduction
- Twin configuration
- Designed for network Modernization, introduction of LTE1800 on existing site
- Designed for network modernization application, introduction of LTE2300 and LTE2600 on existing site
- dc/AISG pass-through on all frequency ports

## Product Classification

**Product Type** Diplexer

## General Specifications

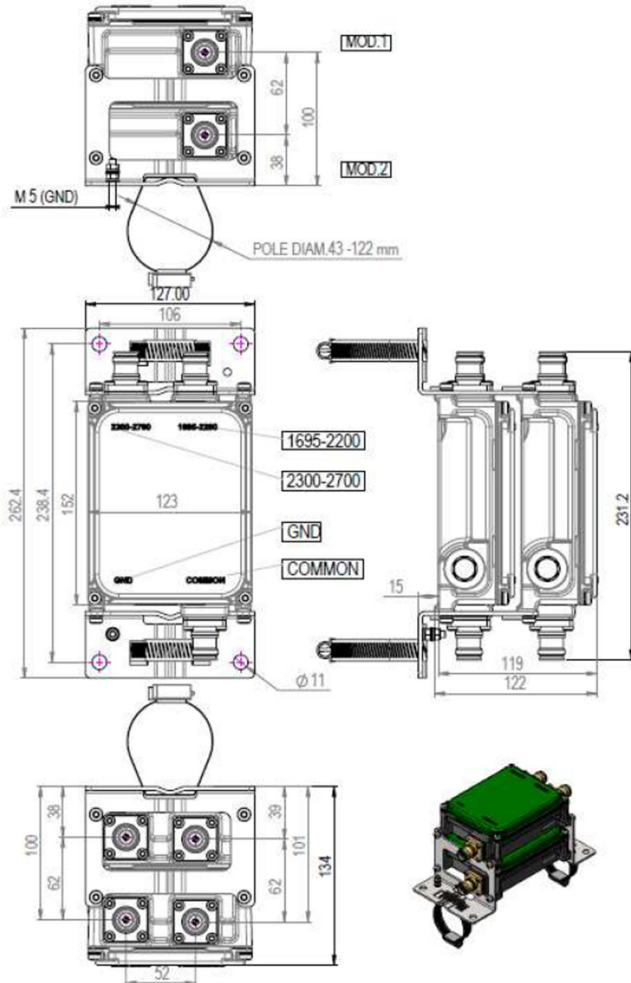
**Product Family** CBC1726  
**Color** Gray  
**Common Port Label** COMM  
**Modularity** 2-Twin  
**Mounting** Pole | Wall  
**Mounting Pipe Hardware** Band clamps (2)  
**RF Connector Interface** 4.3-10 Female  
**RF Connector Interface Body Style** Long neck

## Dimensions

**Height** 152 mm | 5.984 in  
**Width** 119 mm | 4.685 in  
**Depth** 123 mm | 4.843 in  
**RF Connector Length** 35 mm | 1.378 in  
**Ground Screw Diameter** 6 mm | 0.236 in  
**Mounting Pipe Diameter Range** 42.6–122 mm

# E14F05P16

## Outline Drawing



## Electrical Specifications

<b>Impedance</b>	50 ohm
<b>License Band, Band Pass</b>	AWS 1700   DCS 1800   IMT 2100   IMT 2600   PCS 1900   WCS 2300

## Electrical Specifications, dc Power/Alarm

<b>dc/AISG Pass-through Path</b>	Branch 1   Branch 2
<b>dc/AISG Pass-through, combiner</b>	Branch 1   Branch 2
<b>Lightning Surge Current</b>	3 kA
<b>Lightning Surge Current Waveform</b>	10/350 waveform

# E14F05P16

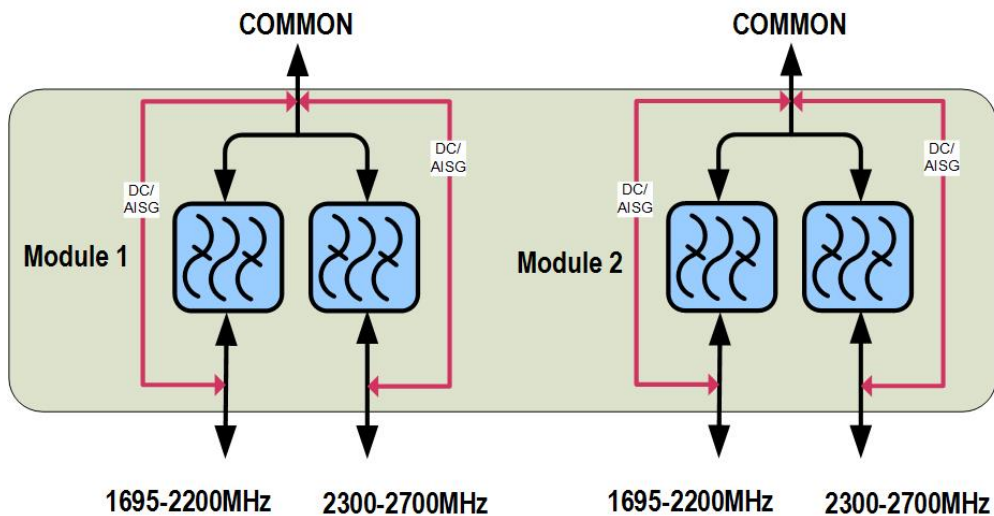
## Electrical Specifications

<b>Sub-module</b>	<b>1   2</b>	<b>1   2</b>
<b>Branch</b>	1	2
<b>Port Designation</b>	1695-2200	2300-2700
<b>License Band</b>	AWS 1700, Band Pass DCS 1800, Band Pass IMT 2100, Band Pass PCS 1900, Band Pass	IMT 2600, Band Pass WCS 2300, Band Pass

## Electrical Specifications, Band Pass

<b>Frequency Range, MHz</b>	<b>1695–2200</b>	<b>2300–2700</b>
<b>Insertion Loss, typical, dB</b>	0.2	0.2
<b>Total Group Delay, maximum, ns</b>	30	30
<b>Return Loss, typical, dB</b>	20	20
<b>Isolation, minimum, dB</b>	50	50
<b>Input Power, RMS, maximum, W</b>	300	300
<b>Input Power, PEP, maximum, W</b>	3500	3500
<b>3rd Order PIM, typical, dBc</b>	-160	-160
<b>3rd Order PIM Test Method</b>	Two +43 dBm carriers	Two +43 dBm carriers

## Block Diagram



## Environmental Specifications

<b>Operating Temperature</b>	-40 °C to +60 °C (-40 °F to +140 °F)
------------------------------	--------------------------------------

# E14F05P16

---

<b>Relative Humidity</b>	Up to 100%
<b>Corrosion Test Method</b>	IEC 60068-2-11, 30 days
<b>Ingress Protection Test Method</b>	IEC 60529:2001, IP67

## Packaging and Weights

<b>Included</b>	Mounting hardware
<b>Volume</b>	2.3 L
<b>Weight, net</b>	3.8 kg   8.378 lb
<b>Weight, without mounting hardware</b>	3.3 kg   7.275 lb