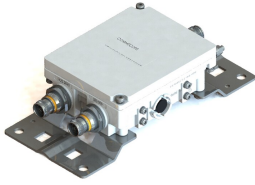


E14F05P57



Diplexer, 380–960 MHz/1425–2690 MHz, dc pass all, with 4.3-10 connectors

- Industry leading PIM performance
- New 4.3-10 connectors for improved PIM performance and size reduction
- Minimal Insertion Loss
- dc/AISG pass-through on all frequency ports
- Ultra-wideband low-band combiner
- Ultra-wideband high-band combiner
- BTS-to-feeder and feeder-to-antenna application
- Single configuration

Product Classification

Product Type Diplexer

General Specifications

Product Family CBC426

Color Gray

Common Port Label ANT

Modularity 1-Single

Mounting Pole | Wall

Mounting Pipe Hardware Band clamps (2)

RF Connector Interface 4.3-10 Female

RF Connector Interface Body Style Medium neck

Dimensions

Height 200 mm | 7.874 in

Width 111 mm | 4.37 in

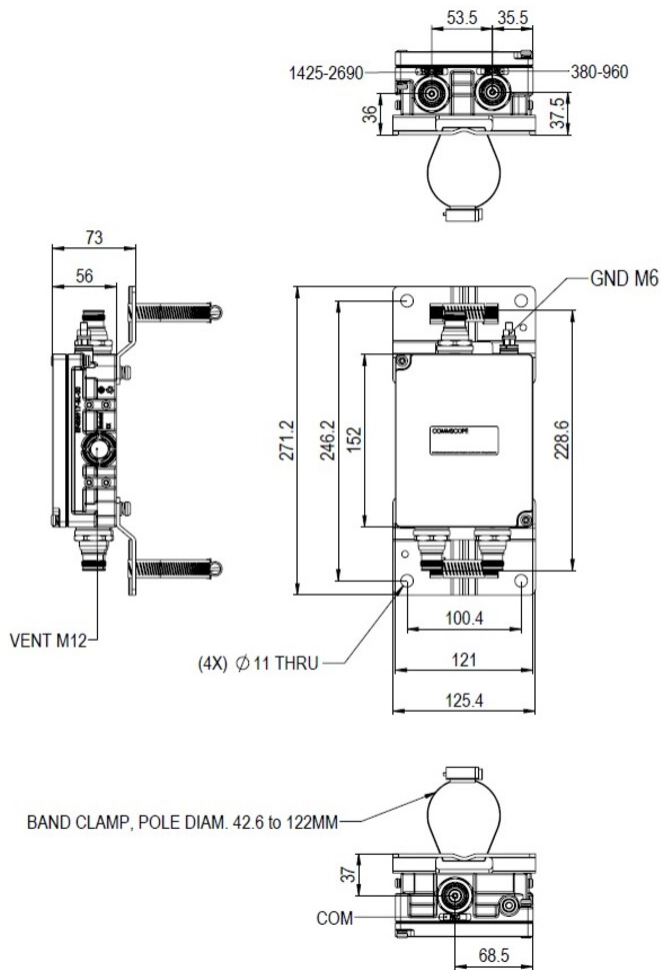
Depth 44 mm | 1.732 in

Ground Screw Diameter 5 mm | 0.197 in

Mounting Pipe Diameter Range 40–160 mm

Outline Drawing

E14F05P57



Electrical Specifications

Impedance	50 ohm
License Band, Band Pass	APT 700 AWS 1700 CEL 850 CEL 900 DCS 1800 EDD 800 IMT 2100 IMT 2600 LMR 750 LMR 800 LMR 900 PCS 1900 TDD 2300 TDD 2600 USA 700 USA 750 WCS 2300

Electrical Specifications, dc Power/Alarm

dc/AISG Pass-through Method	Factory set
dc/AISG Pass-through Path	Branch 1 Branch 2
dc/AISG Pass-through, combiner	Branch 1 Branch 2
dc/AISG Pass-through, demultiplexer	Branch 1 Branch 2
Lightning Surge Current	10 kA
Lightning Surge Current Waveform	8/20 waveform

E14F05P57

Electrical Specifications, AISG

AISG Carrier	2176 KHz ± 100 ppm
Insertion Loss, maximum	0.5 dB
Return Loss, minimum	15 dB

Electrical Specifications

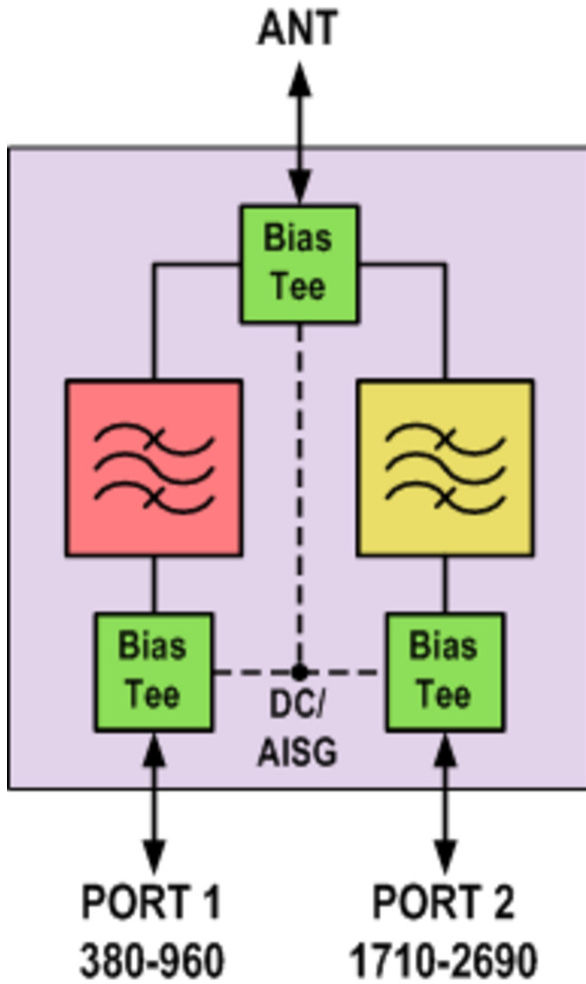
Sub-module	1	1
Branch	1	2
Port Designation	PORT 1 380-960	PORT 2 1425-2690
License Band	APT 700, Band Pass CEL 850, Band Pass CEL 900, Band Pass EDD 800, Band Pass LMR 750, Band Pass LMR 800, Band Pass LMR 900, Band Pass USA 700, Band Pass USA 750, Band Pass	AWS 1700, Band Pass DCS 1800, Band Pass IMT 2100, Band Pass IMT 2600, Band Pass PCS 1900, Band Pass TDD 2300, Band Pass TDD 2600, Band Pass WCS 2300, Band Pass

Electrical Specifications, Band Pass

Frequency Range, MHz	380–960	1425–2690
Insertion Loss, typical, dB	0.1	0.1
Total Group Delay, maximum, ns	10	10
Return Loss, minimum, dB	20	20
Return Loss, typical, dB	23	23
Isolation, minimum, dB	50	50
Input Power, PEP, maximum, W	5000	5000
3rd Order PIM, typical, dBc	-163	-163
3rd Order PIM Test Method	2 x 20 W CW tones	2 x 20 W CW tones

E14F05P57

Block Diagram



Environmental Specifications

Operating Temperature	-40 °C to +65 °C (-40 °F to +149 °F)
Relative Humidity	5%–100%
Corrosion Test Method	IEC 60068-2-11, 30 days
Ingress Protection Test Method	IEC 60529:2001, IP67

Packaging and Weights

Included	Mounting hardware
Volume	1 L
Weight, net	1.9 kg 4.189 lb

Regulatory Compliance/Certifications

Agency

ISO 9001:2015

**Classification**

Designed, manufactured and/or distributed under this quality management system