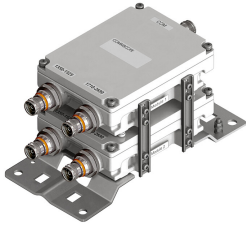


# E14F05P61



Twin 2-pak Diplexer, 1350–1525 MHz/1710–2690 MHz, DC bypass Low ports, with 4.3-10 connectors

- Industry leading PIM performance
- New 4.3-10 connectors for improved PIM performance and size reduction
- dc/AISG pass-through on low frequency ports
- Designed for network modernization application, introduction of LTE1400 on existing site

**OBSOLETE**

Replaced By:

E14F05P65

Twin 2-pak Diplexer, 1350–1525 MHz/1710–2690 MHz, DC bypass all ports, with 4.3-10 connectors

## Product Classification

**Product Type** Diplexer

## General Specifications

**Product Family** CBC426

**Color** Gray

**Common Port Label** ANT

**Modularity** 2-Twin

**Mounting** Pole | Wall

**Mounting Pipe Hardware** Band clamps (2)

**RF Connector Interface** 4.3-10 Female

**RF Connector Interface Body Style** Long neck

## Dimensions

**Height** 165 mm | 6.496 in

**Width** 120 mm | 4.724 in

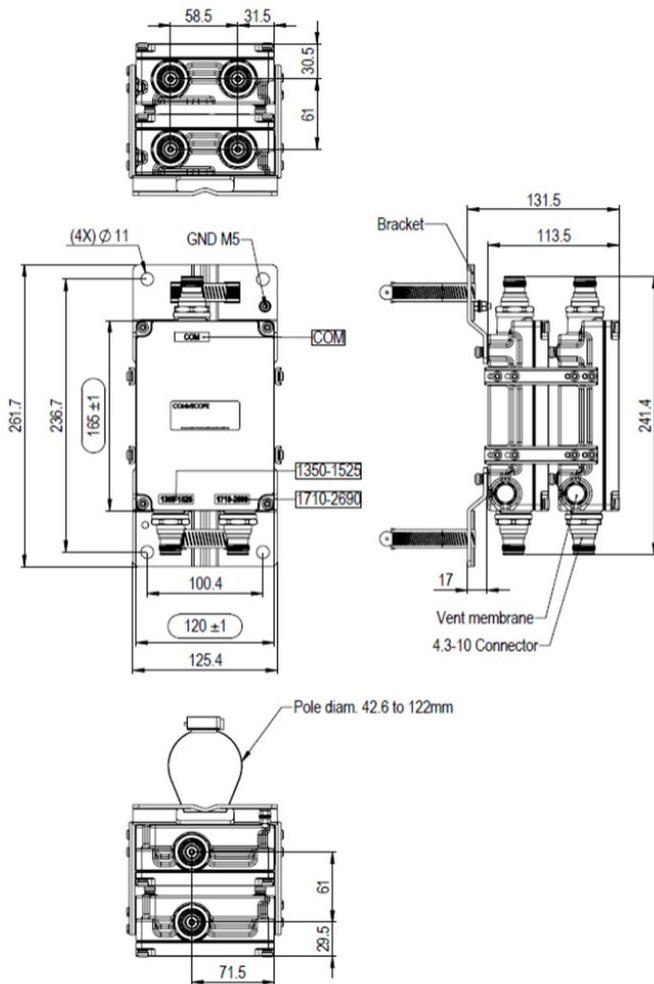
**Depth** 113.5 mm | 4.469 in

**Ground Screw Diameter** 5 mm | 0.197 in

**Mounting Pipe Diameter Range** 40–160 mm

## Outline Drawing

# E14F05P61



## Electrical Specifications

<b>Impedance</b>	50 ohm
<b>License Band, Band Pass</b>	APT 700   AWS 1700   CEL 850   CEL 900   DCS 1800   EDD 800   IMT 2100   IMT 2600   LMR 750   LMR 800   LMR 900   PCS 1900   PDC 1500   SDL 1400   TDD 2300   TDD 2600   USA 700   USA 750   WCS 2300

## Electrical Specifications, dc Power/Alarm

<b>dc/AISG Pass-through Method</b>	Factory set
<b>dc/AISG Pass-through Path</b>	Branch 1
<b>dc/AISG Pass-through, combiner</b>	Branch 1
<b>dc/AISG Pass-through, demultiplexer</b>	Branch 1
<b>Lightning Surge Current</b>	10 kA

# E14F05P61

**Lightning Surge Current Waveform** 8/20 waveform

## Electrical Specifications, AISG

**AISG Carrier** 2176 KHz ± 100 ppm  
**Insertion Loss, maximum** 1.4 dB  
**Return Loss, minimum** 10 dB

## Electrical Specifications

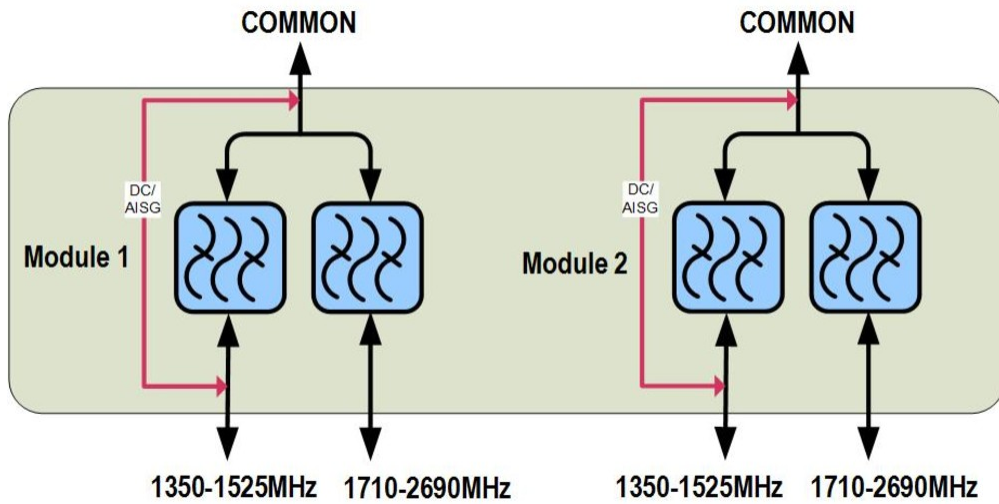
<b>Sub-module</b>	<b>1   2</b>	<b>1   2</b>
<b>Branch</b>	1	2
<b>Port Designation</b>	PORT 1 1350-1525	PORT 2 1710-2690
<b>License Band</b>	PDC 1500, Band Pass SDL 1400, Band Pass	AWS 1700, Band Pass DCS 1800, Band Pass IMT 2100, Band Pass IMT 2600, Band Pass PCS 1900, Band Pass TDD 2300, Band Pass TDD 2600, Band Pass WCS 2300, Band Pass

## Electrical Specifications, Band Pass

<b>Frequency Range, MHz</b>	<b>1350–1525</b>	<b>1710–2690</b>
<b>Insertion Loss, typical, dB</b>	0.2	0.25
<b>Total Group Delay, typical, ns</b>	8	8
<b>Return Loss, minimum, dB</b>	18	18
<b>Return Loss, typical, dB</b>	20	20
<b>Isolation, minimum, dB</b>	50	50
<b>Input Power, RMS, maximum, W</b>	200	200
<b>Input Power, PEP, maximum, W</b>	2000	2000
<b>3rd Order PIM, typical, dBc</b>	-163	-163
<b>3rd Order PIM Test Method</b>	Two +43 dBm carriers	Two +43 dBm carriers

## Block Diagram

# E14F05P61



## Environmental Specifications

<b>Operating Temperature</b>	-40 °C to +65 °C (-40 °F to +149 °F)
<b>Relative Humidity</b>	5%–100%
<b>Corrosion Test Method</b>	IEC 60068-2-11, 30 days
<b>Ingress Protection Test Method</b>	IEC 60529:2001, IP67

## Packaging and Weights

<b>Included</b>	Mounting hardware
<b>Volume</b>	2.5 L
<b>Weight, net</b>	4.3 kg   9.48 lb

## Regulatory Compliance/Certifications

<b>Agency</b>	<b>Classification</b>
ISO 9001:2015	Designed, manufactured and/or distributed under this quality management system