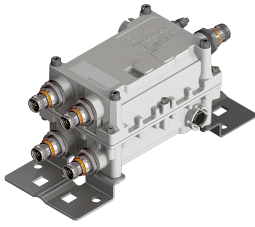


E14F05P69



Twin Diplexer, 380–2200 MHz/2300–2690 MHz, dc pass low paired with high, with 4.3-10 connectors

- Industry leading PIM performance
- New 4.3-10 connectors for improved PIM performance and size reduction
- Designed for network modernization application, introduction of LTE2300 and LTE2600 on existing site
- Twin configuration
- Minimal Insertion Loss
- Ultra-wideband low-band combiner
- Ultra-wideband high-band combiner
- dc/AISG pass-through on low frequency ports for Module1 and dc/AISG pass-through on high frequency for Module2

Product Classification

Product Type Diplexer

General Specifications

Color Gray

Common Port Label ANT

Modularity 2-Twin

Mounting Pole | Wall

Mounting Pipe Hardware Band clamps (2)

RF Connector Interface 4.3-10 Female

RF Connector Interface Body Style Medium neck

Dimensions

Height 183 mm | 7.205 in

Width 121 mm | 4.764 in

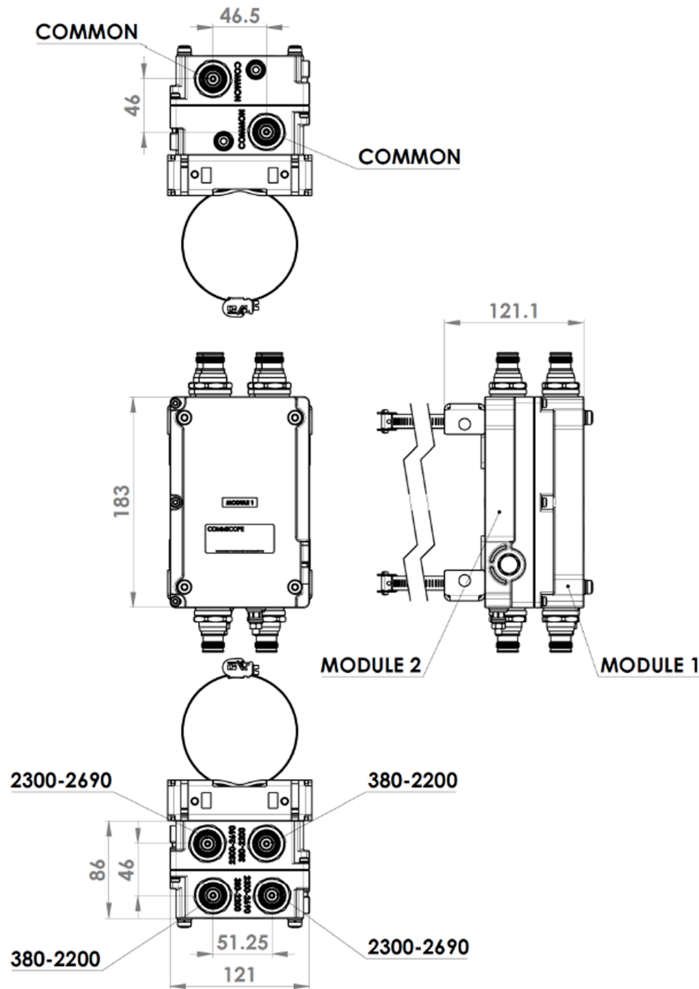
Depth 860 mm | 33.858 in

Ground Screw Diameter 5 mm | 0.197 in

Mounting Pipe Diameter Range 40–160 mm

E14F05P69

Outline Drawing



Electrical Specifications

Impedance

50 ohm

License Band, Band Pass

APT 700 | AWS 1700 | CEL 850 | CEL 900 | DCS 1800 | EDD 800 | IMT 2100 | IMT 2600 | LMR 750 | LMR 800 | LMR 900 | PCS 1900 | TDD 1900 | TDD 2300 | TDD 2600 | USA 700 | USA 750 | WCS 2300

Electrical Specifications, dc Power/Alarm

dc/AISG Pass-through Method

Factory set

dc/AISG Pass-through, combiner

Branch 1 | Branch 2

dc/AISG Pass-through, demultiplexer

Branch 1 | Branch 2

Lightning Surge Current

5 kA

E14F05P69

Lightning Surge Current Waveform 8/20 waveform

Electrical Specifications, AISG

AISG Carrier 2176 KHz ± 100 ppm

Electrical Specifications

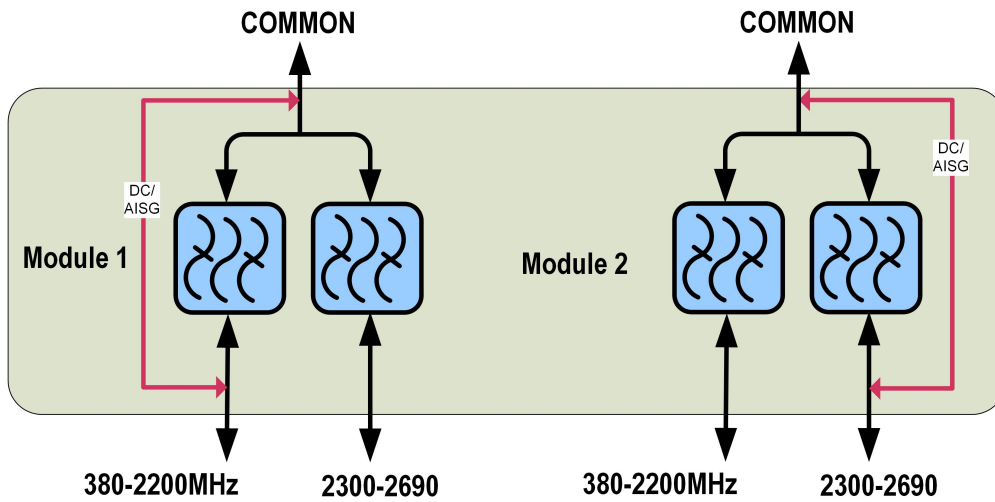
Sub-module	1 2	1 2
Branch	1	2
Port Designation	PORT 1 380-2200	PORT 2 2300-2690
License Band	APT 700, Band Pass CEL 850, Band Pass CEL 900, Band Pass EDD 800, Band Pass LMR 750, Band Pass LMR 800, Band Pass LMR 900, Band Pass USA 700, Band Pass USA 750, Band Pass DCS 1800, Band Pass TDD 1900, Band Pass IMT 2100, Band Pass	TDD 2600, Band Pass IMT 2600, Band Pass WCS 2300, Band Pass TDD 2300, Band Pass

Electrical Specifications, Band Pass

	380–2200	2300–2690
Frequency Range, MHz		
Insertion Loss, typical, dB	0.07	0.14
Total Group Delay, typical, ns		5
Return Loss, typical, dB	18	22
Isolation, minimum, dB	55	55
Input Power, RMS, maximum, W	200	200
Input Power, PEP, maximum, W	2000	2000
3rd Order PIM, typical, dBc	-161	-161
3rd Order PIM Test Method	Two +43 dBm carriers	Two +43 dBm carriers

Block Diagram

E14F05P69



Environmental Specifications

Operating Temperature	-40 °C to +65 °C (-40 °F to +149 °F)
Corrosion Test Method	IEC 60068-2-11, 30 days
Ingress Protection Test Method	IEC 60529:2001, IP67

Packaging and Weights

Included	Mounting hardware
Volume	1.9 L
Weight, net	4.5 kg 9.921 lb
Weight, without mounting hardware	3.9 kg 8.598 lb

Regulatory Compliance/Certifications

Agency	Classification
ISO 9001:2015	Designed, manufactured and/or distributed under this quality management system

