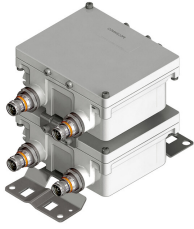


# E14F05P81

---



## Twin Diplexer 700/800 DC Bypass at 800MHz port, 4.3-10 connectors

- New 4.3-10 connectors for improved PIM performance and size reduction
- Industry leading PIM performance
- Designed for network modernization application, introduction of LTE700 and LTE800 on existing site
- dc/AISG pass-through on high frequency ports
- Twin configuration

## Product Classification

**Product Type** Diplexer

## General Specifications

**Product Family** CBC789

**Color** Gray

**Common Port Label** PORT 3 COMMON

**Modularity** 2-Twin

**Mounting** Pole | Wall

**Mounting Pipe Hardware** Band clamps (2)

**RF Connector Interface** 4.3-10 Female

**RF Connector Interface Body Style** Long neck

## Dimensions

**Height** 165 mm | 6.496 in

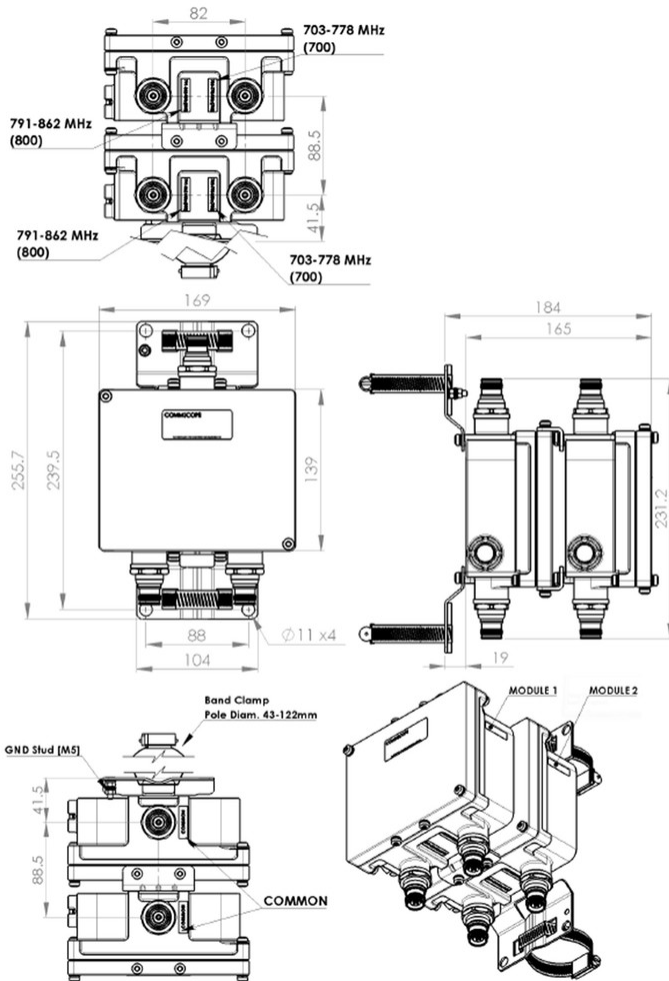
**Width** 169 mm | 6.654 in

**Depth** 139 mm | 5.472 in

**Mounting Pipe Diameter Range** 40–160 mm

# E14F05P81

## Outline Drawing



## Electrical Specifications

<b>Impedance</b>	50 ohm
<b>License Band, Band Pass</b>	APT 700   CEL 900   EDD 800   LMR 800   USA 700

## Electrical Specifications, dc Power/Alarm

<b>dc/AISG Pass-through Method</b>	Factory set
<b>dc/AISG Pass-through Path</b>	Branch 2
<b>dc/AISG Pass-through, combiner</b>	Branch 2
<b>dc/AISG Pass-through, demultiplexer</b>	Branch 2
<b>Lightning Surge Current</b>	10 kA

# E14F05P81

Lightning Surge Current Waveform

8/20 waveform

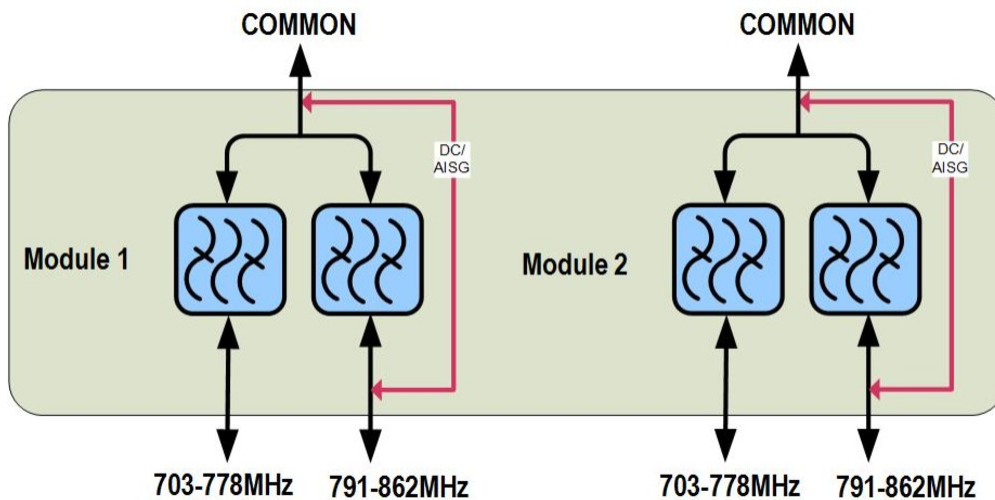
## Electrical Specifications

<b>Sub-module</b>	<b>1   2</b>	<b>1   2</b>
<b>Branch</b>	1	2
<b>Port Designation</b>	PORT 1 703-778	PORT 2 790-862
<b>License Band</b>	APT 700, Band Pass USA 700, Band Pass	EDD 800, Band Pass LMR 800, Band Pass

## Electrical Specifications, Band Pass

<b>Frequency Range, MHz</b>	<b>703-778</b>	<b>790-862</b>
<b>Insertion Loss, typical, dB</b>	0.3	0.3
<b>Return Loss, typical, dB</b>	20	20
<b>Isolation, minimum, dB</b>	35	35
<b>Input Power, RMS, maximum, W</b>	200	200
<b>Input Power, PEP, maximum, W</b>	2000	2000
<b>3rd Order PIM, typical, dBc</b>	-163	-163
<b>3rd Order PIM Test Method</b>	Two +43 dBm carriers	Two +43 dBm carriers

## Block Diagram



## Environmental Specifications

<b>Operating Temperature</b>	-40 °C to +65 °C (-40 °F to +149 °F)
<b>Corrosion Test Method</b>	IEC 60068-2-11, 30 days

# E14F05P81

---

**Ingress Protection Test Method** IEC 60529:2001, IP67

## Packaging and Weights

**Included** Mounting hardware

**Volume** 3.9 L

**Weight, net** 5 kg | 11.023 lb

**Weight, without mounting hardware** 4.5 kg | 9.921 lb

## Regulatory Compliance/Certifications

### Agency

ISO 9001:2015

### Classification

Designed, manufactured and/or distributed under this quality management system