

# E14F10P08

---



Twin Triplexer 700-800//900//1800-2600 MHz, DC Bypass on all ports, with 4.3-10 connectors

- New 4.3-10 connectors for improved PIM performance and size reduction
- Designed for network modernization application, introduction of LTE700 and LTE800 on existing site
- Industry leading PIM performance
- dc/AISG pass-through on all frequency ports
- Twin configuration

## Product Classification

**Product Type** Triplexer

## General Specifications

**Product Family** CBC7926

**Color** Gray

**Common Port Label** COM

**Modularity** 2-Twin

**Mounting** Pole | Wall

**Mounting Pipe Hardware** Band clamps (2)

**RF Connector Interface** 4.3-10 Female

**RF Connector Interface Body Style** Medium neck

## Dimensions

**Height** 257 mm | 10.118 in

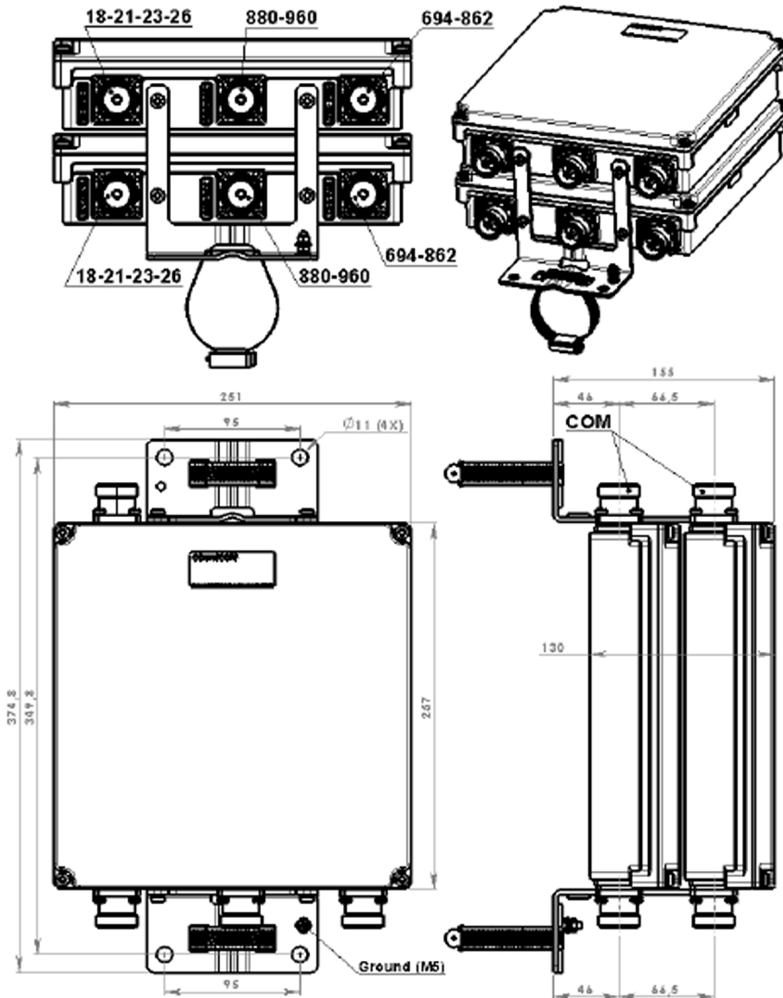
**Width** 251 mm | 9.882 in

**Depth** 130 mm | 5.118 in

**Mounting Pipe Diameter Range** 42.6–122 mm

# E14F10P08

## Outline Drawing



## Electrical Specifications

<b>Impedance</b>	50 ohm
<b>License Band, Band Pass</b>	APT 700   AWS 1700   CEL 900   DCS 1800   EDD 800   IMT 2100   IMT 2600   LMR 750   PCS 1900   USA 700   USA 750

## Electrical Specifications, dc Power/Alarm

<b>dc/AISG Pass-through, combiner</b>	Branch 1   Branch 2   Branch 3
<b>dc/AISG Pass-through, demultiplexer</b>	Branch 1   Branch 2   Branch 3
<b>Lightning Surge Current</b>	5 kA
<b>Lightning Surge Current Waveform</b>	8/20 waveform

# E14F10P08

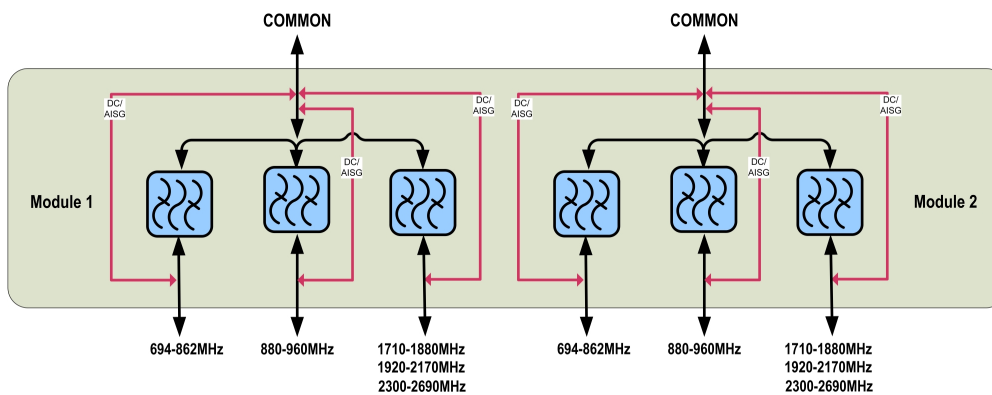
## Electrical Specifications

<b>Sub-module</b>	<b>1   2</b>	<b>1   2</b>	<b>1   2</b>
<b>Branch</b>	1	2	3
<b>Port Designation</b>	DD2-800	900	18-21-23-26
<b>License Band</b>	APT 700, Band Pass EDD 800, Band Pass LMR 750, Band Pass USA 700, Band Pass USA 750, Band Pass	CEL 900, Band Pass	AWS 1700, Band Pass DCS 1800, Band Pass IMT 2100, Band Pass IMT 2600, Band Pass PCS 1900, Band Pass

## Electrical Specifications, Band Pass

<b>Frequency Range, MHz</b>	<b>694–862</b>	<b>880–960</b>	<b>1710–2690</b>
<b>Insertion Loss, typical, dB</b>	0.35	0.3	0.35
<b>Return Loss, minimum, dB</b>	20	20	20
<b>Isolation, minimum, dB</b>	50	50	50
<b>Input Power, RMS, maximum, W</b>	300	300	300
<b>3rd Order PIM, typical, dBc</b>	-160	-160	-160
<b>3rd Order PIM Test Method</b>	Two +43 dBm carriers	Two +43 dBm carriers	Two +43 dBm carriers

## Block Diagram



## Environmental Specifications

<b>Operating Temperature</b>	-40 °C to +60 °C (-40 °F to +140 °F)
<b>Relative Humidity</b>	Up to 100%
<b>Corrosion Test Method</b>	IEC 60068-2-11, 30 days
<b>Ingress Protection Test Method</b>	IEC 60529:2001, IP67

## Packaging and Weights

# E14F10P08

---

<b>Included</b>	Mounting hardware
<b>Volume</b>	8.2 L
<b>Weight, net</b>	9.2 kg   20.283 lb

## Regulatory Compliance/Certifications

**Agency**

ISO 9001:2015

**Classification**

Designed, manufactured and/or distributed under this quality management system