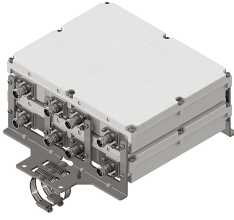


E14F15P02



Twin Quadplexer 700-800//900//1800//2100-2600 MHz, with 4.3-10 connectors, dc bypass on port 1

- Industry leading PIM performance
- Designed for network modernization application, introduction of LTE700 and LTE800 on existing site
- New 4.3-10 connectors for improved PIM performance and size reduction
- Suitable for feeders cables reduction

Product Classification

Product Type Quadplexer

General Specifications

Color Gray

Modularity 2-Twin

Mounting Pole | Wall

Mounting Pipe Hardware Band clamps (2)

RF Connector Interface 4.3-10 Female

RF Connector Interface Body Style Medium neck

Dimensions

Height 263 mm | 10.354 in

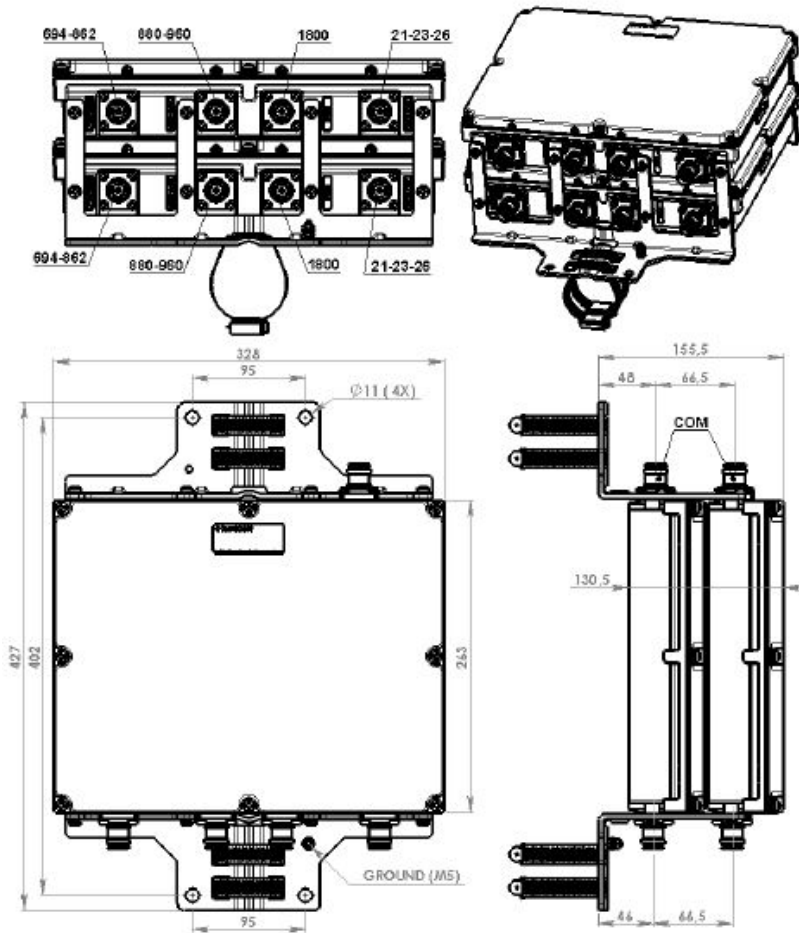
Width 328 mm | 12.913 in

Depth 130.5 mm | 5.138 in

Mounting Pipe Diameter Range 42.6–122 mm

E14F15P02

Outline Drawing



Electrical Specifications

Impedance

50 ohm

License Band, Band Pass

APT 700 | CEL 850 | CEL 900 | DCS 1800 | EDD 800 | IMT 2100 | IMT 2600 | LMR 800 | LMR 900 | TDD 2300

License Band, LNA

DCS 1800

Electrical Specifications, dc Power/Alarm

dc/AISG Pass-through, combiner

Branch 1

dc/AISG Pass-through, demultiplexer

Branch 1

Lightning Surge Current

5 kA

Lightning Surge Current Waveform

8/20 waveform

E14F15P02

Electrical Specifications, AISG

| | |
|--------------------------------|--------------------|
| AISG Carrier | 2176 KHz ± 100 ppm |
| Insertion Loss, maximum | 1 dB |
| Return Loss, minimum | 10 dB |

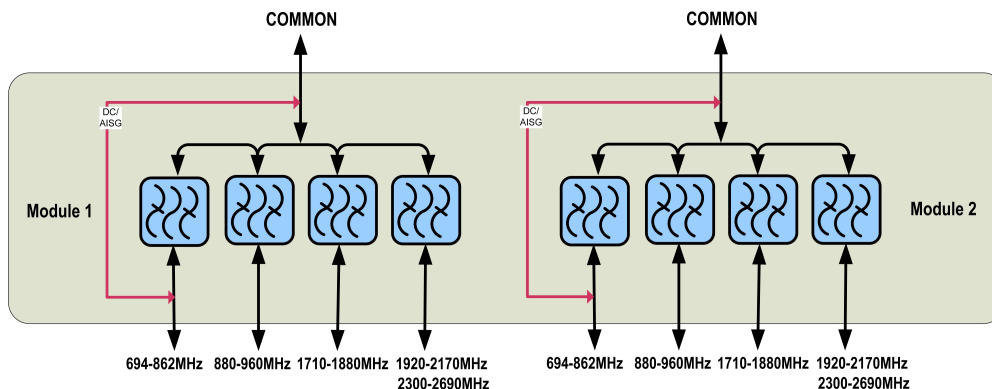
Electrical Specifications

| | | | | |
|-------------------------|--|--|------------------|---|
| Sub-module | 1 2 | 1 2 | 1 2 | 1 2 |
| Branch | 1 | 2 | 3 | 4 |
| Port Designation | PORT 1 694-862 | PORT 2 880-960 | PORT 3 1710-1880 | PORT 4 1920-2170 2300-2690 |
| License Band | APT 700, Band Pass CEL 850, Band Pass EDD 800, Band Pass LMR 800, Band Pass | CEL 900, Band Pass LMR 900, Band Pass | DCS 1800, LNA | IMT 2600, Band Pass IMT 2100, Band Pass TDD 2300, Band Pass |

Electrical Specifications, Band Pass

| | | | | |
|-------------------------------------|----------------------|----------------------|----------------------|--------------------------------------|
| Frequency Range, MHz | 694–862 | 880–960 | 1710–1880 | 1920–2170 2300–2690 |
| Insertion Loss, typical, dB | 0.3 | 0.3 | 0.25 | 0.25 |
| Return Loss, typical, dB | 22 | 22 | 22 | 22 |
| Isolation, minimum, dB | 50 | 50 | 50 | 50 |
| Input Power, RMS, maximum, W | 300 | 300 | 300 | 300 |
| 3rd Order PIM, maximum, dBc | -160 | -160 | -160 | -160 |
| 3rd Order PIM Test Method | Two +43 dBm carriers | Two +43 dBm carriers | Two +43 dBm carriers | Two +43 dBm carriers |

Block Diagram



Mechanical Specifications

E14F15P02

Wind Speed, maximum 216 km/h (134 mph)

Environmental Specifications

Operating Temperature -40 °C to +65 °C (-40 °F to +149 °F)

Relative Humidity 15%–100%

Corrosion Test Method IEC 60068-2-11, 30 days

Ingress Protection Test Method IEC 60529:2001, IP67

Vibration Test Method IEC 60068-2-6

Packaging and Weights

Included Mounting hardware

Weight, net 10.4 kg | 22.928 lb