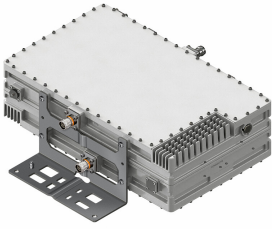


E16Z01P74



Quad Band TMA 1800/2100/2300/2600, 1 AISG, 4 devices - 2 subunits, with 4.3-10 connectors

- Industry leading PIM performance
- Designed to boost UP-Link Coverage and KPIs
- TMA is operating in AISG mode
- 4 devices with 2 sub-units
- Option to by-pass TDD2300 LNA
- Single AISG with 1 RET connector
- RET interface to control antenna RET actuators with AISG standard
- Automatic LNA by-pass function
- 2 input ports and 2 output ports
- New 4.3-10 connectors for improved PIM performance and size reduction

Product Classification

Product Type 1-BTS:1-ANT (Uniplex) | Tower mounted amplifier

General Specifications

Color Gray

Modularity 2-Twin

Mounting Pole | Wall

Mounting Pipe Hardware Band clamps (2)

RF Connector Interface 4.3-10 Female

Dimensions

Height 120 mm | 4.724 in

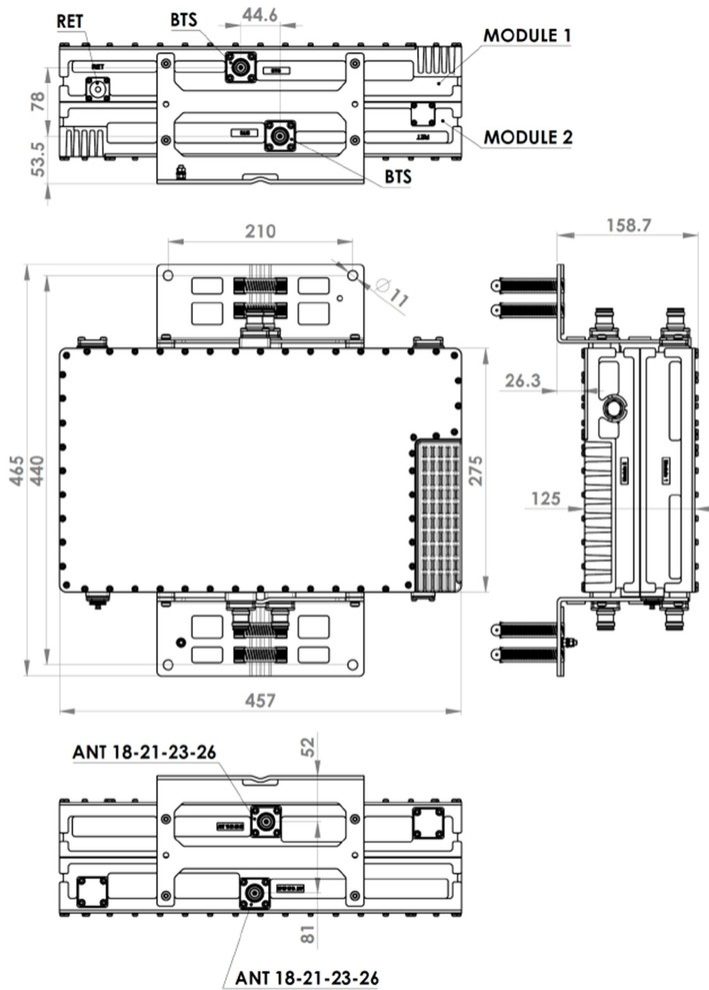
Width 457 mm | 17.992 in

Depth 275 mm | 10.827 in

Mounting Pipe Diameter Range 42.6–122 mm

E16Z01P74

Outline Drawing



Electrical Specifications

License Band, LNA DCS 1800 | IMT 2100 | IMT 2600 | TDD 2300

Electrical Specifications, dc Power/Alarm

dc Switching/Redundancy Yes

Lightning Surge Current 5 kA

Lightning Surge Current Waveform 8/20 waveform

Electrical Specifications, AISG

AISG Connector 8-pin DIN Female

AISG Connector Standard IEC 60130-9

E16Z01P74

Protocol	AISG 2.0
Voltage, AISG Mode	10–30 Vdc

Electrical Specifications

Sub-module	1 2	1 2	1 2	1 2
Branch	1	2	3	4
Port Designation	ANT	ANT	ANT	ANT
License Band	DCS 1800, LNA	IMT 2100, LNA	TDD 2300, LNA	IMT 2600, LNA
Return Loss, typical, dB	20	20	20	20
Return Loss - Bypass Mode, typical, dB	18	18	18	18

Electrical Specifications Rx (Uplink)

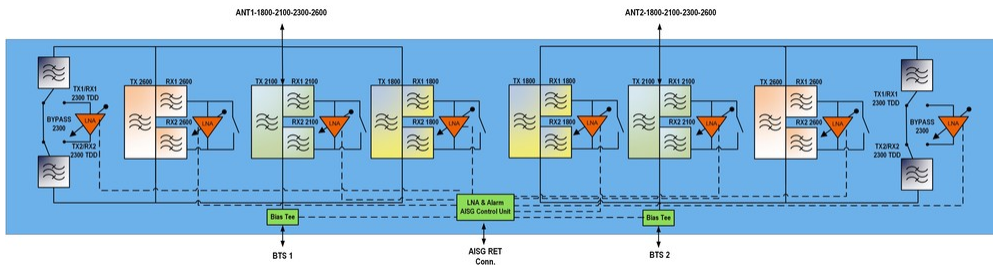
	1710–1785	1920–1980	2300–2400	2500–2570
Frequency Range, MHz				
Bandwidth, MHz	75	60	100	70
Gain, nominal, dB	12	12	12	12
Noise Figure, typical, dB	1.2	1.2	2.2	1.2
Total Group Delay, typical, ns	100	80	65	70
Insertion Loss - Bypass Mode, typical, dB	2	2	2	2

Electrical Specifications Tx (Downlink)

	1805–1880	2110–2170	2300–2400	2620–2690
Frequency Range, MHz				
Bandwidth, MHz	75	60	100	70
Insertion Loss, typical, dB	0.5	0.3	1.7	0.4
Total Group Delay, typical, ns	40	22	58	22
Return Loss, typical, dB	20	20	18	20
Input Power, RMS, maximum, W	100	100	50	100
Input Power, PEP, maximum, W	1000	1000	500	1000
3rd Order PIM, typical, dBc	-155	-155		-155
3rd Order PIM Test Method	Two +43 dBm carriers	Two +43 dBm carriers		Two +43 dBm carriers

Block Diagram

E16Z01P74



Environmental Specifications

Operating Temperature	-40 °C to +65 °C (-40 °F to +149 °F)
Relative Humidity	Up to 100%
Corrosion Test Method	IEC 60068-2-11, 30 days
Ingress Protection Test Method	IEC 60529:2001, IP67

Packaging and Weights

Included	Mounting hardware
Volume	15 L
Weight, net	18.5 kg 40.785 lb

Regulatory Compliance/Certifications

Agency	Classification
ISO 9001:2015	Designed, manufactured and/or distributed under this quality management system

* Footnotes

License Band, LNA	License Bands that have RxUplink amplification
--------------------------	--