

EPD3603-DCS6



Power Distribution Unit Kit , multimode for single and dual band tower mounted amplifiers (TMAs)

OBSOLETE

This product was discontinued on: June 30, 2020

Product Classification

Product Type Power distribution unit

Included Products

- C61B01P31 – Alarm Cable Assembly for Power Distribution Units, 7 m
- C61B01P32 – Power Cable Assembly for Power Distribution Units, 5 m
- C61L01P01 – Power Cable Assembly, Bias Tee Harness, standard, 6 m
- D54G01P82 – Power Distribution Unit, multimode for single and dual band tower mounted amplifiers (TMAs)

C61B01P31



Alarm Cable Assembly for Power Distribution Units, 7 m

Product Classification

Product Type Alarm cable assembly

General Specifications

Application Power distribution unit

Conductor Type 24 AWG

Conductors, quantity 3

Connector Interface 9-pin D-sub Male

Dimensions

Length 7000 mm | 275.591 in

Material Specifications

Material Type PVC

Packaging and Weights

Weight, net 170 g | 0.375 lb

C61B01P32



Power Cable Assembly for Power Distribution Units, 5 m

Product Classification

Product Type Power cable assembly

General Specifications

Application Power distribution unit
Conductor Type 18 AWG
Conductors, quantity 2
Connector Interface Pluggable terminal block

Dimensions

Length 5000 mm | 196.851 in

Material Specifications

Material Type PVC

Packaging and Weights

Weight, net 0.2 kg | 0.441 lb

C61L01P01



Power Cable Assembly, Bias Tee Harness, standard, 6 m

Product Classification

Product Type Power cable assembly

General Specifications

Application Power distribution unit
Cables in Harness, quantity 6
Conductor Type RG174
Conductors, quantity 1
Connector Interface 9-pin D-sub Male | SMA Male

Dimensions

Length 6000 mm | 236.221 in

Material Specifications

Material Type PVC

Packaging and Weights

Weight, net 0.9 kg | 1.984 lb

D54G01P82



Power Distribution Unit, multimode for single and dual band tower mounted amplifiers (TMAs)

Product Classification

Product Type Power distribution unit

General Specifications

Application Indoor

Color Light gray

LED Indicators, green Normal | Power supply

LED Indicators, red Alarm | dc/dc Converter

Modules per Unit, quantity 1

Output Control 6-position DIP switch

Output Interface 9-pin D-sub Female

Output Ports per Module, quantity 6

Dimensions

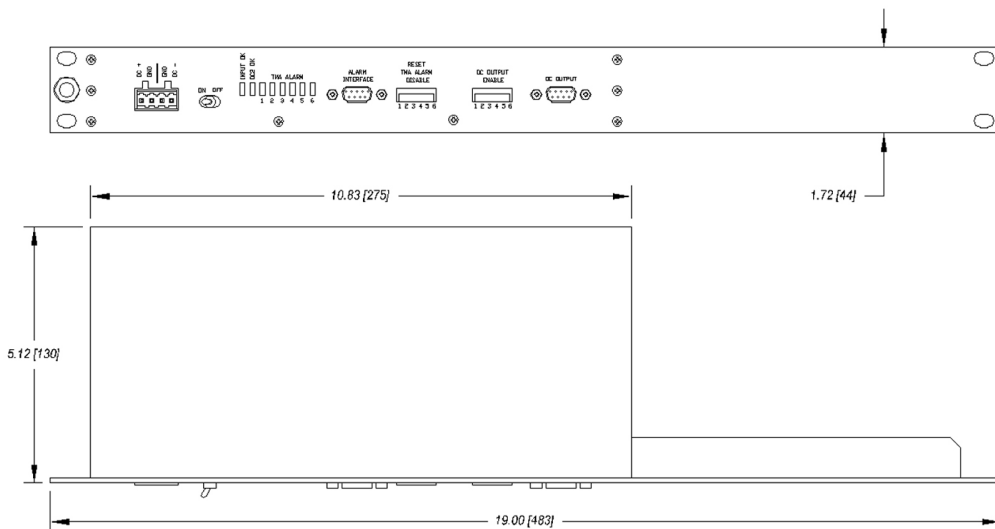
Height 44 mm | 1.732 in

Width 483 mm | 19.016 in

Depth 130 mm | 5.118 in

D54G01P82

Outline Drawing



Electrical Specifications

| | |
|--|---------------------------------|
| Input Lightning Surge Current | 1 kA |
| Input Lightning Surge Current Waveform | 8/20 waveform |
| Input Overcurrent Protection | Internal slow blow fuse |
| Input Voltage, operational | 20–60 Vdc |
| Output Current per Port, maximum | 400 mA |
| Output Current, maximum | 2.2 A |
| Output Lightning Surge Current | 2 kA |
| Output Lightning Surge Current Waveform | 8/20 waveform |
| Output Overcurrent Protection | Hiccup mode current limiting |
| Output Voltage Ripple, maximum | 100 mVpp |
| Output Voltage, typical | 12 V |
| Alarm Control | 6-position DIP switch |
| Alarm Current Range, high setting | 175–312 mA |
| Alarm Current Range, low setting | 20–163 mA |
| Alarm Interface | 9-pin D-sub Female |
| Alarm Relays | Normally closed Normally open |
| Electrical Safety Standard | CE EN 60950 |
| Power Consumption, maximum | 40 W |

D54G01P82

Power Supply Control

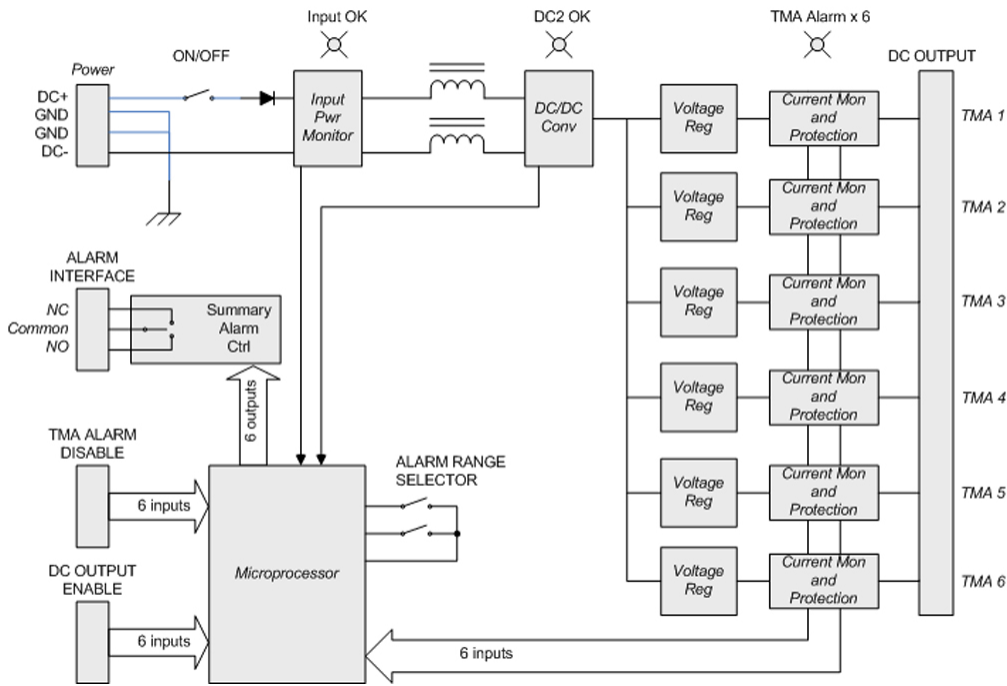
Toggle switch

Power Supply Interface

4-pin single row header Male

D54G01P82

Block Diagram



Environmental Specifications

Operating Temperature -10 °C to +60 °C (+14 °F to +140 °F)

Ingress Protection Test Method IEC 60529:2001, IP20

Packaging and Weights

Weight, net 1.1 kg | 2.425 lb