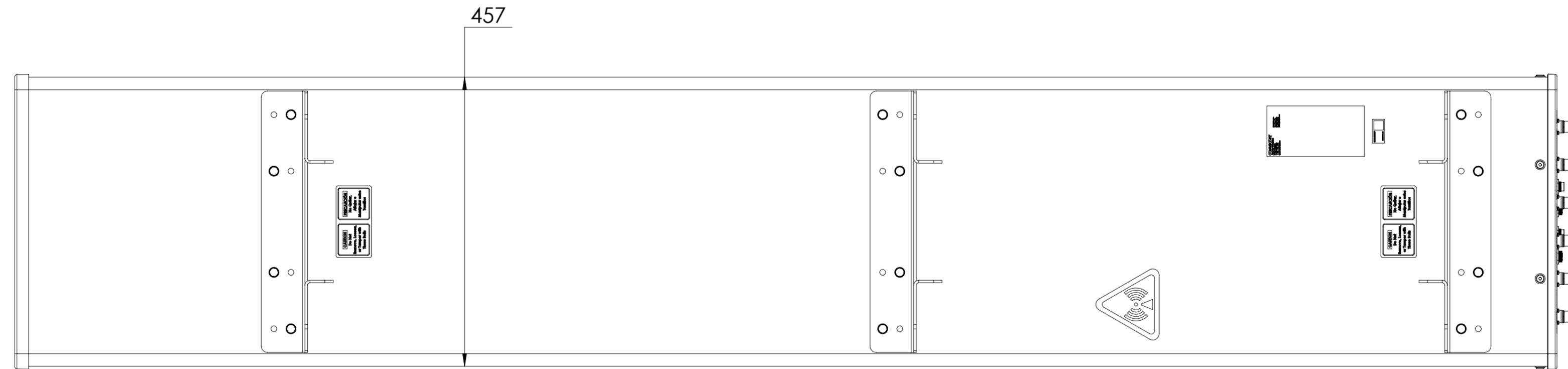
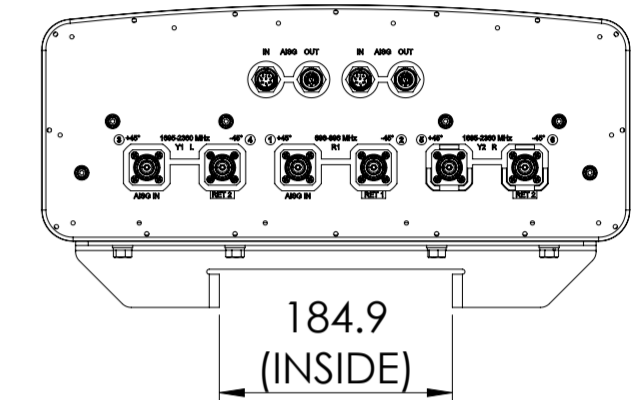
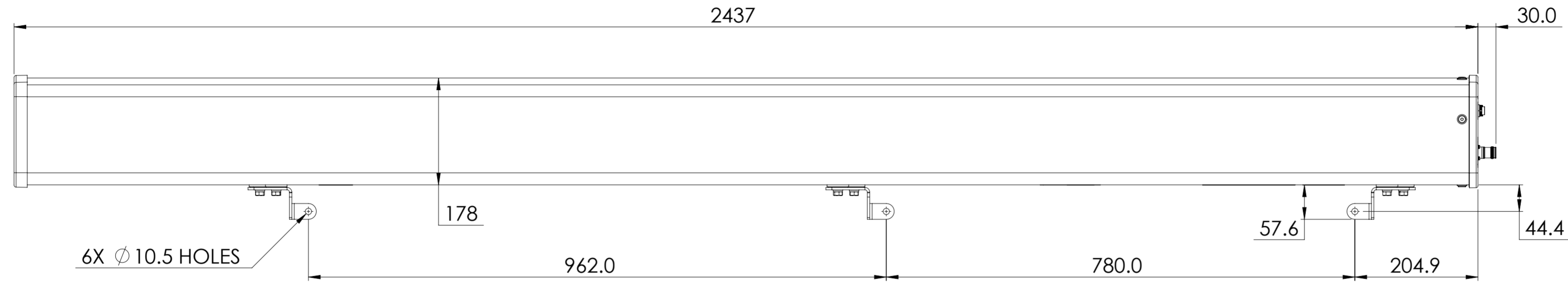


NOTES:

REVISIONS			
REV.	DESCRIPTION	DATE	APPROVED
A	ECR 8000025732: RELEASE TO PRODUCTION PER EAO 603077.	10/25/17 ZYL	YCLI/WR
B	ECR 8000042601: RELEASE TO PRODUCTION PER EAO 608089.	31AUG20 RN	GMDING/ HHCHEN



B NHH-45C-R2B

COMMSCOPE, INC. OF NORTH CAROLINA

TOLERANCES		SAP MATERIAL MASTER	
0 PLACE	X ±	2 PLACE	.XX ±
1 PLACE	.X ±	ANGLES	±
FINISH		MATERIAL	
UNLESS OTHERWISE SPECIFIED DIMENSIONS ARE IN MILLIMETERS INTERPRET PER ISO STANDARDS HANDBOOK TECHNICAL DRAWINGS, VOLUMES 1 & 2, THIRD EDITION (2002)		NAME	DATE
CE	ZYL	8/24/17	TITLE PRODUCT DRAWING
RW	RNAIK2	09/23/2020	
RV	GD1001	09/25/2020	
AD	HHCHEN	09/25/2020	
RE	AK1095	09/25/2020	
ECN 8000042601-O		SCALE	DOCUMENT NO.
		1:6	NHH-45C-R2B-L
SIZE	WORK AREA	MODEL	
A2	23	VERSION	STATUS
		03	RE
		REVISION	VERSION
		D	01
		DRAWING	STATUS
		REVISION	REVISION
		B	B
		SHEET	1 OF 1

DENSITY	g/mm ³
MASS	grams
VOLUME	mm ³
SURFACE AREA	mm ²
HEIGHT	
LENGTH	
WIDTH	