

E16S02P70



Dual Band Tower Mounted Amplifier, 1800//2600 MHz, 12 dB, 2 BTS & 2 ANT ports, AISG with 1 RET connector (1 device with 2 sub-units each), with 4.3-10 connectors

- Industry leading PIM performance
- New 4.3-10 connectors for improved PIM performance and size reduction
- 2 input ports and 2 output ports
- Automatic LNA by-pass function
- Built in lightning protection
- Connectors “in line”
- Single AISG with 1 RET connector
- 1 device with 2 sub-units

Product Classification

Product Type 1-BTS:1-ANT (Uniplex) | Tower mounted amplifier

General Specifications

Color Gray

Modularity 2-Twin

Mounting Pole | Wall

Mounting Pipe Hardware Band clamps (2)

RF Connector Interface 4.3-10 Female

Dimensions

Height 280 mm | 11.024 in

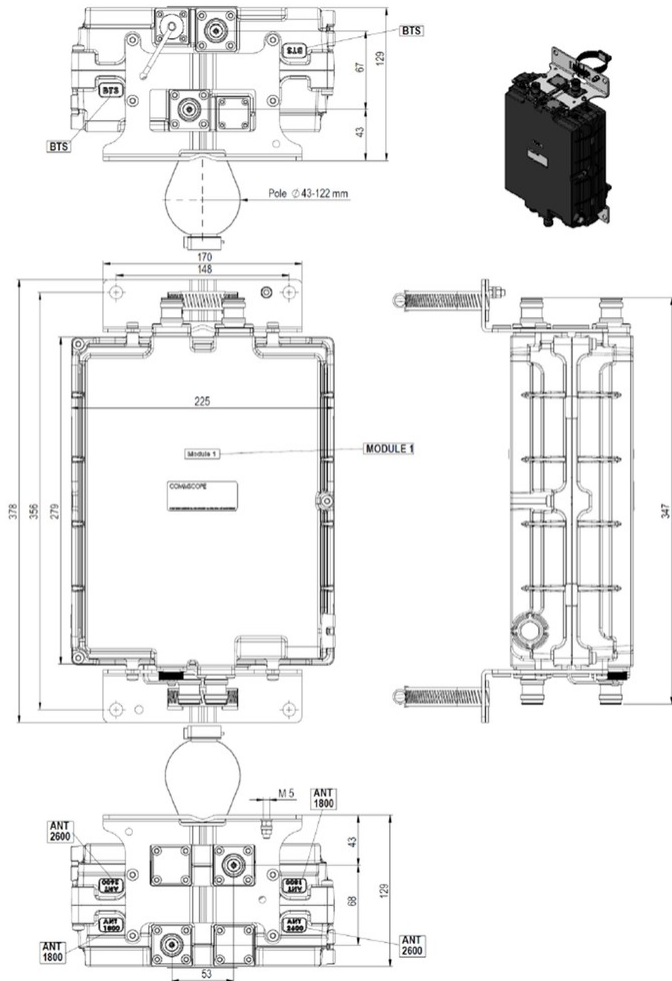
Width 225 mm | 8.858 in

Depth 104 mm | 4.094 in

Mounting Pipe Diameter Range 50–120 mm

E16S02P70

Outline Drawing



Electrical Specifications

License Band, LNA DCS 1800 | IMT 2600

Electrical Specifications, dc Power/Alarm

dc Switching/Redundancy	Yes
Lightning Surge Current	10 kA
Lightning Surge Current Waveform	8/20 waveform
Voltage	7–30 Vdc
Alarm Current, CWA Mode	190 mA \pm 10 mA

Electrical Specifications, AISG

E16S02P70

AISG Connector	8-pin DIN Female
AISG Connector Standard	IEC 60130-9
Protocol	AISG 2.0
Voltage, AISG Mode	10–30 Vdc

Electrical Specifications

Sub-module	1 2	1 2
Branch	1	1
Port Designation	ANT	ANT
License Band	DCS 1800, LNA	IMT 2600, LNA
Return Loss - Bypass Mode, typical, dB	14	14

Electrical Specifications Rx (Uplink)

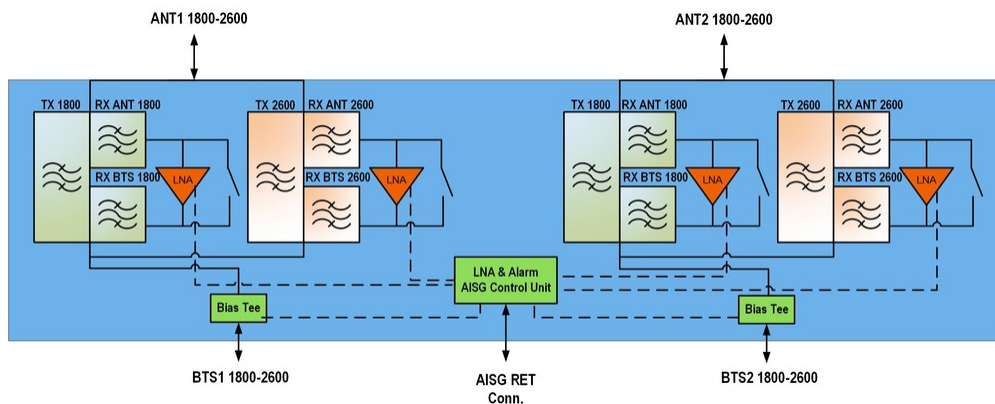
Frequency Range, MHz	1710–1785	2500–2570
Bandwidth, MHz	75	70
Gain, nominal, dB	12	12
Noise Figure, typical, dB	1.5	1.6
Output IP3, minimum, dBm	20	25
Return Loss, minimum, dB	18	18
Insertion Loss - Bypass Mode, typical, dB	3	3.3

Electrical Specifications Tx (Downlink)

Frequency Range, MHz	1805–1880	2620–2690
Bandwidth, MHz	75	70
Insertion Loss, typical, dB	0.5	0.5
Return Loss, minimum, dB	18	18
Input Power, RMS, maximum, W	200	200
Input Power, PEP, maximum, W	2000	2000
3rd Order PIM, typical, dBc	-163	-163
3rd Order PIM Test Method	Two +43 dBm carriers	Two +43 dBm carriers

Block Diagram

E16S02P70



Mechanical Specifications

Wind Speed, maximum 200 km/h (124 mph)

Environmental Specifications

Operating Temperature -40 °C to +65 °C (-40 °F to +149 °F)

Relative Humidity Up to 100%

Corrosion Test Method IEC 60068-2-11, 30 days

Ingress Protection Test Method IEC 60529:2001, IP67

Packaging and Weights

Included Mounting hardware

Volume 6.5 L

Weight, net 8 kg | 17.637 lb

Regulatory Compliance/Certifications

Agency	Classification
ISO 9001:2015	Designed, manufactured and/or distributed under this quality management system

* Footnotes

License Band, LNA License Bands that have RxUplink amplification