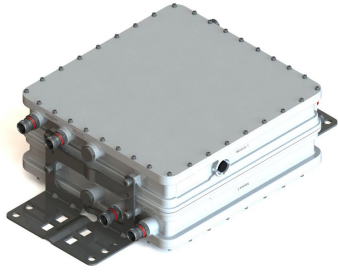


E16Z01P85



Tri Band Tower Mounted Amplifier, 1800/2100/2600 MHz, 12 dB, 2 BTS & 4 ANT ports, AISG with 1 RET connector (1 devices with 2 sub-units each), with 4.3-10 connectors, 698-960 MHz Bypass

- Industry leading PIM performance
- New 4.3-10 connectors for improved PIM performance and size reduction
- Designed to boost UP-Link Coverage and KPIs
- 2 input ports and 4 output ports
- 1 device with 2 sub-units
- TMA is operating in AISG mode
- TMA with 1350-1525 MHz bypass
- TMA with 698-960 MHz bypass

Product Classification

Product Type 2-BTS:4-ANT (Diplex)

General Specifications

Color Gray

Modularity 2-Twin

Mounting Pole | Wall

Mounting Pipe Hardware Band clamps (2)

RF Connector Interface 4.3-10 Female

Dimensions

Height 316 mm | 12.441 in

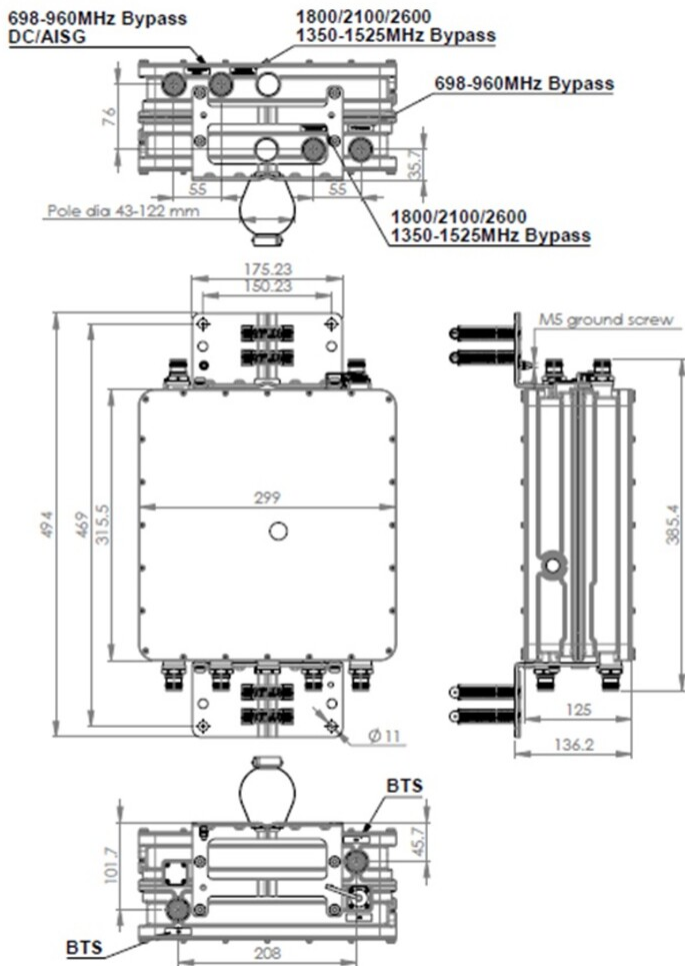
Width 300 mm | 11.811 in

Depth 125 mm | 4.921 in

Mounting Pipe Diameter Range 42.6–122 mm

Outline Drawing

E16Z01P85



Electrical Specifications

License Band, LNA DCS 1800 | IMT 2100 | IMT 2600

Electrical Specifications, dc Power/Alarm

dc Switching/Redundancy Yes
Lightning Surge Current 10 kA
Lightning Surge Current Waveform 8/20 waveform

Electrical Specifications, AISG

AISG Connector 8-pin DIN Female
AISG Connector Standard IEC 60130-9
Protocol AISG 2.0

E16Z01P85

Voltage, AISG Mode

10–30 Vdc

Electrical Specifications

Sub-module	1 2	1 2	1 2
Branch	1	2	3
Port Designation	ANT	ANT	ANT
License Band	DCS 1800, LNA	IMT 2100, LNA	IMT 2600, LNA
Return Loss, typical, dB	20	20	20
Return Loss - Bypass Mode, typical, dB	16	16	16

Electrical Specifications Rx (Uplink)

Frequency Range, MHz	1710–1785	1920–1980	2500–2570
Bandwidth, MHz	75	60	70
Gain, nominal, dB	12	12	12
Noise Figure, typical, dB	1.4	1.5	1.5
Total Group Delay, typical, ns	120	60	60
Insertion Loss - Bypass Mode, typical, dB	2.2	2	2.3

Electrical Specifications Tx (Downlink)

Frequency Range, MHz	1805–1880	2110–2170	2620–2690
Bandwidth, MHz	75	60	70
Insertion Loss, typical, dB	0.5	0.35	0.45
Total Group Delay, typical, ns	50	25	30
Return Loss, typical, dB	20	20	20
Input Power, RMS, maximum, W	200	200	200
Input Power, PEP, maximum, W	2000	2000	2000
3rd Order PIM, typical, dBc	-160	-160	-160
3rd Order PIM Test Method	Two +43 dBm carriers	Two +43 dBm carriers	Two +43 dBm carriers

Electrical Specifications, Band Pass

Frequency Range, MHz	698–960	1350–1525
Insertion Loss, typical, dB	0.2	0.2
Total Group Delay, typical, ns	5	15
Return Loss, typical, dB	19	20
Input Power, RMS, maximum, W	200	200
Input Power, PEP, maximum, W	1000	1000

E16Z01P85

3rd Order PIM, typical, dBc

-160

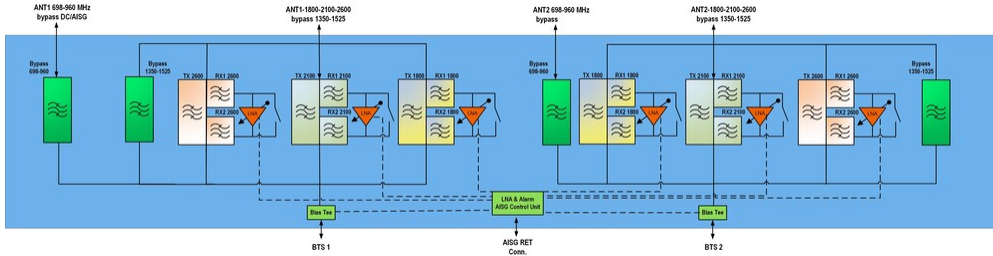
-160

3rd Order PIM Test Method

Two +43 dBm carriers

Two +43 dBm carriers

Block Diagram



Environmental Specifications

Operating Temperature	-40 °C to +65 °C (-40 °F to +149 °F)
Relative Humidity	Up to 100%
Corrosion Test Method	IEC 60068-2-11, 30 days
Ingress Protection Test Method	IEC 60529:2001, IP67

Packaging and Weights

Included	Mounting hardware
Volume	11.8 L
Weight, net	15.2 kg 33.51 lb

Regulatory Compliance/Certifications

Agency	Classification
ISO 9001:2015	Designed, manufactured and/or distributed under this quality management system



* Footnotes

License Band, LNA	License Bands that have RxUplink amplification
--------------------------	--