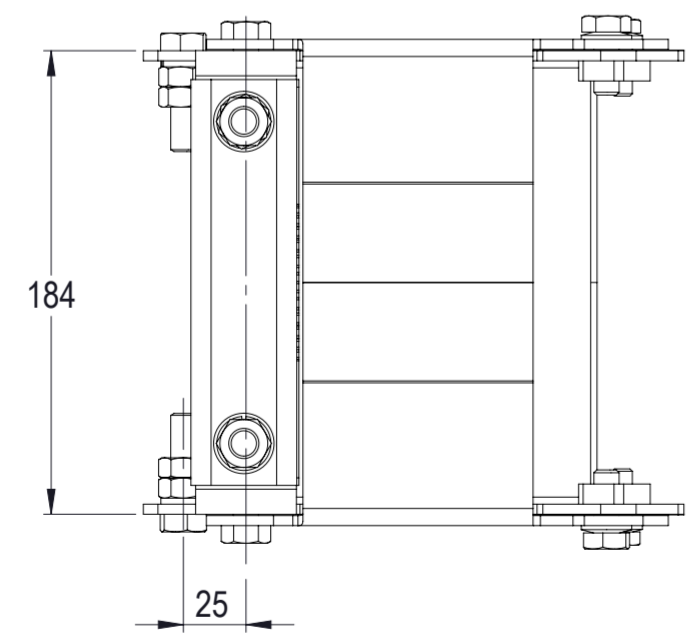
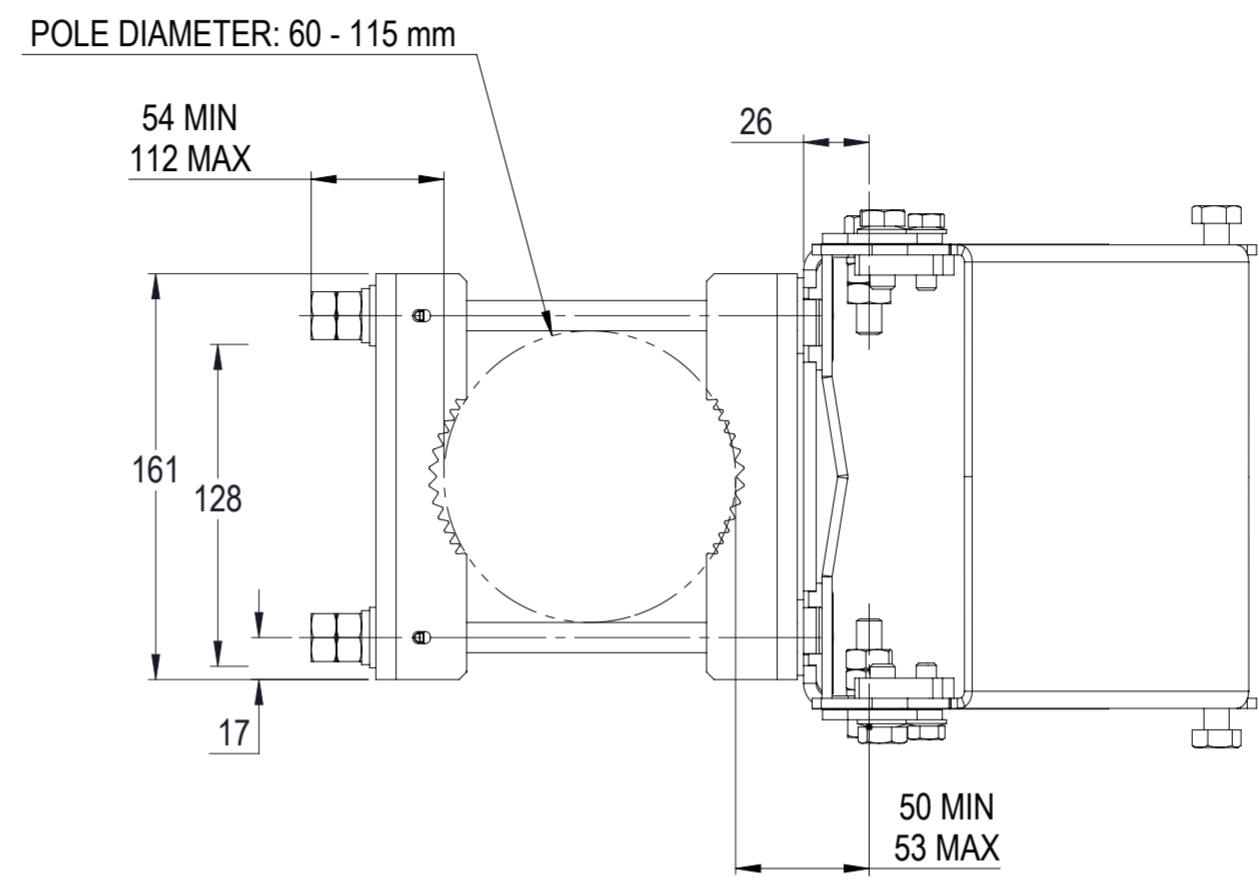
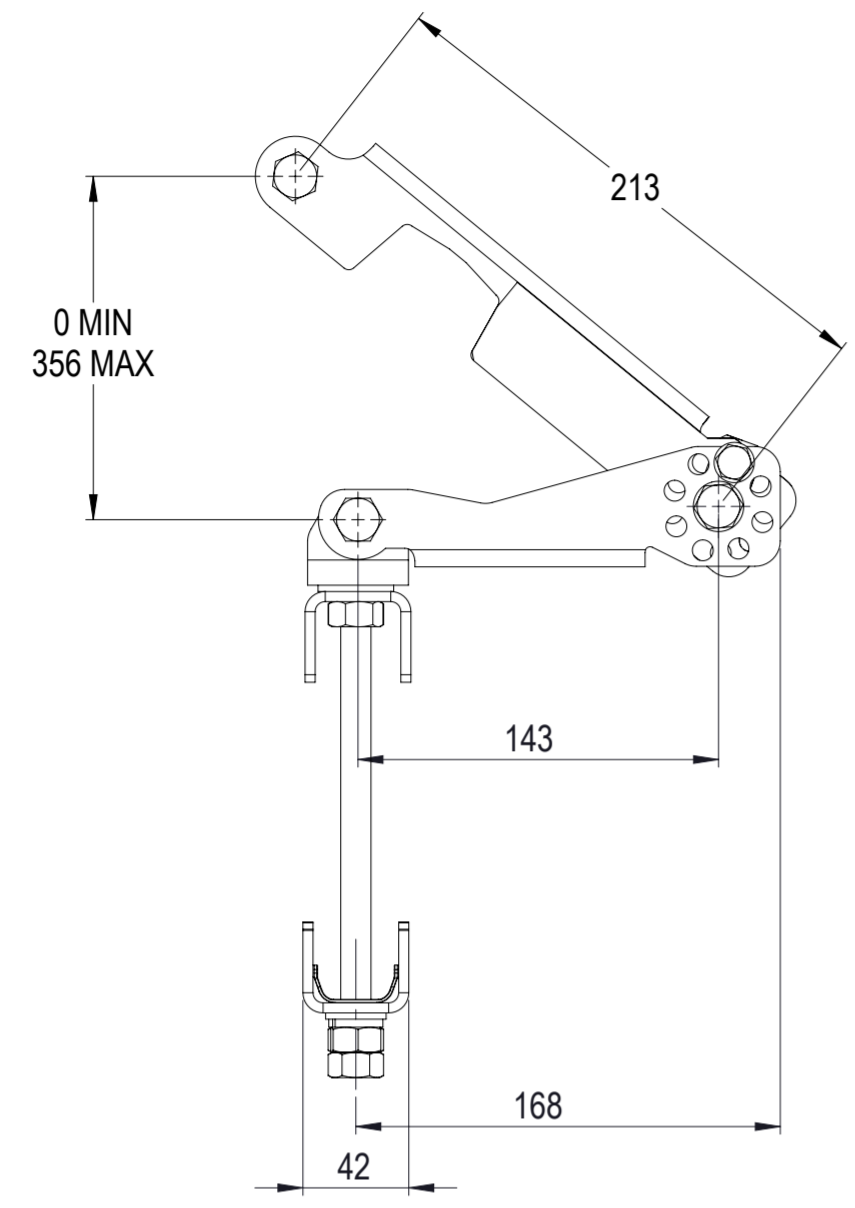


REVISIONS			
REV.	DESCRIPTION	DATE	APPROVED
A	ECR 8000020883: RELEASE TO PRODUCTION PER EAO 604101.	21MAR17 ZHW	KDI / WU.BO
B	ECR 8000039485: UPDATE DRAWING WITH LATEST MODEL.	29FEB20 CN	S.LIU/HANSEN.W
C	ECR 8000042375: UPDATE DRAWING WITH LATEST MODEL.	03SEP20 CN	PL.TANG/HANSEN.W



BSAMNT-M4

COMMSCOPE, INC. OF NORTH CAROLINA											
TOLERANCES						SAP MATERIAL MASTER					
0 PLACE X ±			2 PLACE .XX ±			1 PLACE .X ±			ANGLES ±		
FINISH N/A						MATERIAL N/A					
PRODUCT DRAWING											
ECN 8000042375-O											
UNLESS OTHERWISE SPECIFIED DIMENSIONS ARE IN MILLIMETERS INTERPRET PER ISO STANDARDS HANDBOOK TECHNICAL DRAWINGS, VOLUMES 1 & 2, THIRD EDITION (2002)		NAME	DATE	TITLE							
		CE ZHW	03/21/2017	BSAMNT-M4-L							
RW NC1020	09/04/2020										
RV PLTANG	09/08/2020										
AD HW8003	09/08/2020										
RE ZHHCHEN	09/09/2020										
SCALE	DOCUMENT NO.										
1:2	BSAMNT-M4-L										
SIZE	WORK AREA	23	MODEL			DRAWING			SHEET		
A2			VERSION	STATUS	REVISION	VERSION	STATUS	REVISION	1 OF 1		
			02	RE	C	02	RE	C			

DENSITY	g/mm ³
MASS	grams
VOLUME	mm ³
SURFACE AREA	mm ²
HEIGHT	
LENGTH	
WIDTH	