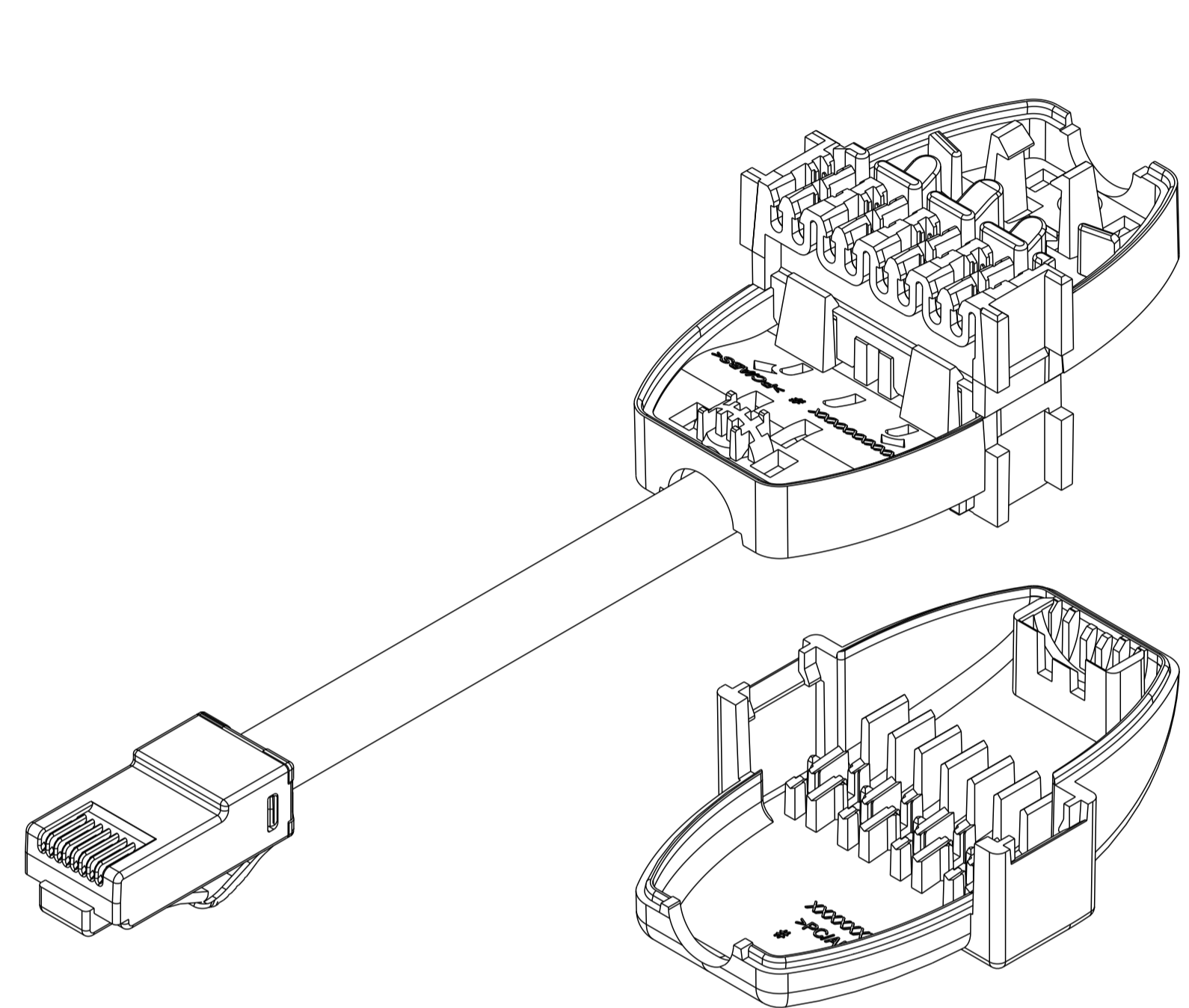


MID CONFIGURATOR						DESCRIPTION	NOTE
BASE CODE		CCA COLOR	CABLE COLOR	UOM	LENGTH		
CO1SJQ2	-	1 = BLACK 8 = WHITE	1 = BLACK (PLENUM) 8 = WHITE (PLENUM AND LSZH)	F = FEET M = METER N = INCH	000-050 [MIN LENGTH= 18 INCHES MAX LENGTH= 50 FEET]	CCA-CAT6A-PLENUM, B-WIRED	3
CO13JX2	-					CCA-CAT6-PLENUM, B-WIRED	3
CO1KW2	-					CCA-CAT6A-SHIELDED-PLENUM, B-WIRED, ECO PACKAGING	4
CO1KZ2	-					CCA-CAT6A-SHIELDED-LSZH, B-WIRED, ECO PACKAGING	4
COP3JP2	-					CCA-CAT6-LSZH, B-WIRED, ECO PACKAGING	5
COPSJQ2	-					CCA-CAT6A-LSZH, B-WIRED, ECO PACKAGING	5

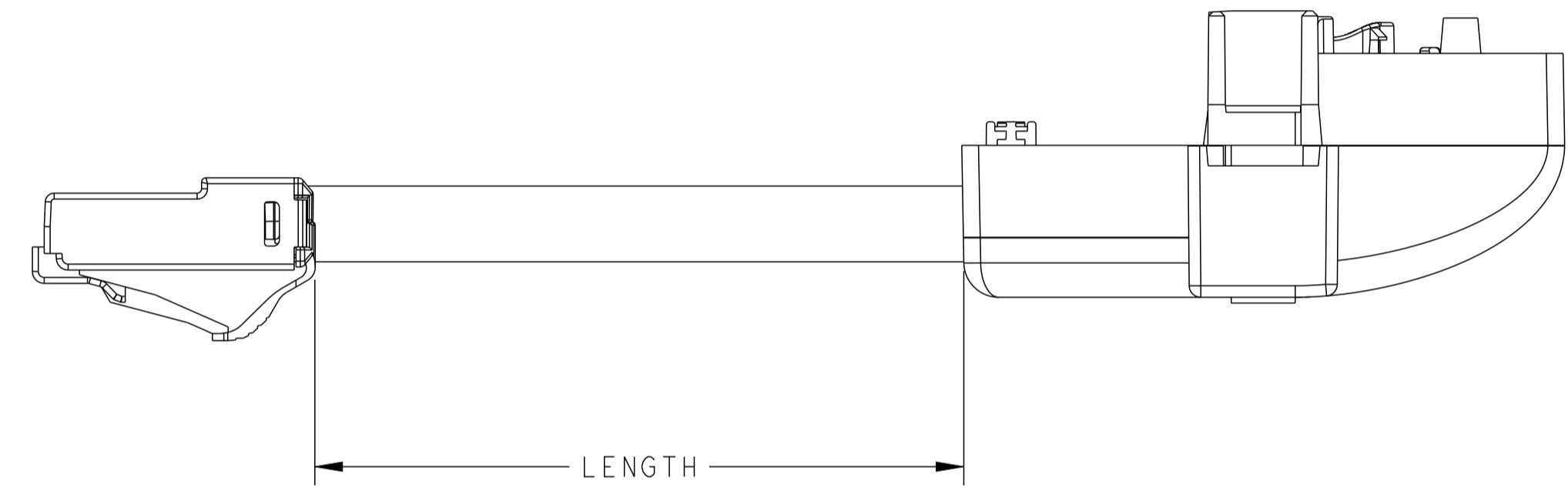
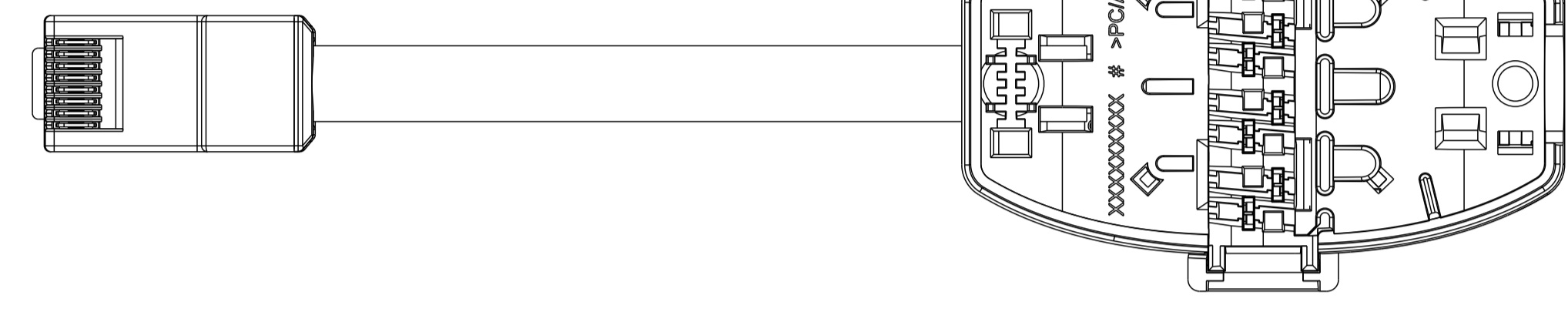
REVISIONS			
REV	CMO	DATE	APPROVED
B	40119185CMO	19OCT2020	TA
C	40121676CMO	18NOV2020	TA

- NOTES:
- SEE COMMSCOPE CATALOG FOR COMPLETE LIST OF PARTS RELATED TO THE USE OF THIS PRODUCT.
 - ALL DIMENSIONS IN INCHES [MM].
 - CEILING CONNECTOR UTP PLENUM CABLE: ASSEMBLY PARTS INCLUDE:
(1) CCA-RJ45 CABLE ASSEMBLY
(1) CAP, CEILING CONNECTOR
(1) CABLE TIE
 - CEILING CONNECTOR SHIELD CABLE:
(2) CABLE ASSEMBLIES PER PACKAGE
EACH CABLE ASSEMBLY INCLUDES:
(1) CCA-RJ45 SHIELD CABLE ASSEMBLY
(1) CAP, CEILING CONNECTOR
(2) SHIELD
(2) CONTACT, SPRING
 - CEILING CONNECTOR UTP LSZH CABLE:
(2) CABLE ASSEMBLIES PER PACKAGE
EACH CABLE ASSEMBLY INCLUDES:
(1) CCA-RJ45 CABLE ASSEMBLY
(1) CAP, CEILING CONNECTOR
(1) CABLE TIE

NOTE: NOT ALL CONFIGURATIONS MAY BE AVAILABLE, CONTACT COMMSCOPE CUSTOMER SERVICE FOR PRODUCT AVAILABILITY.

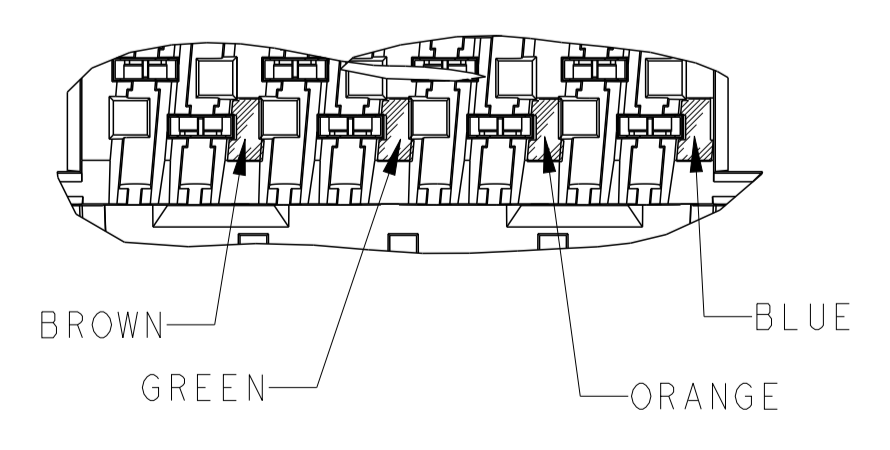
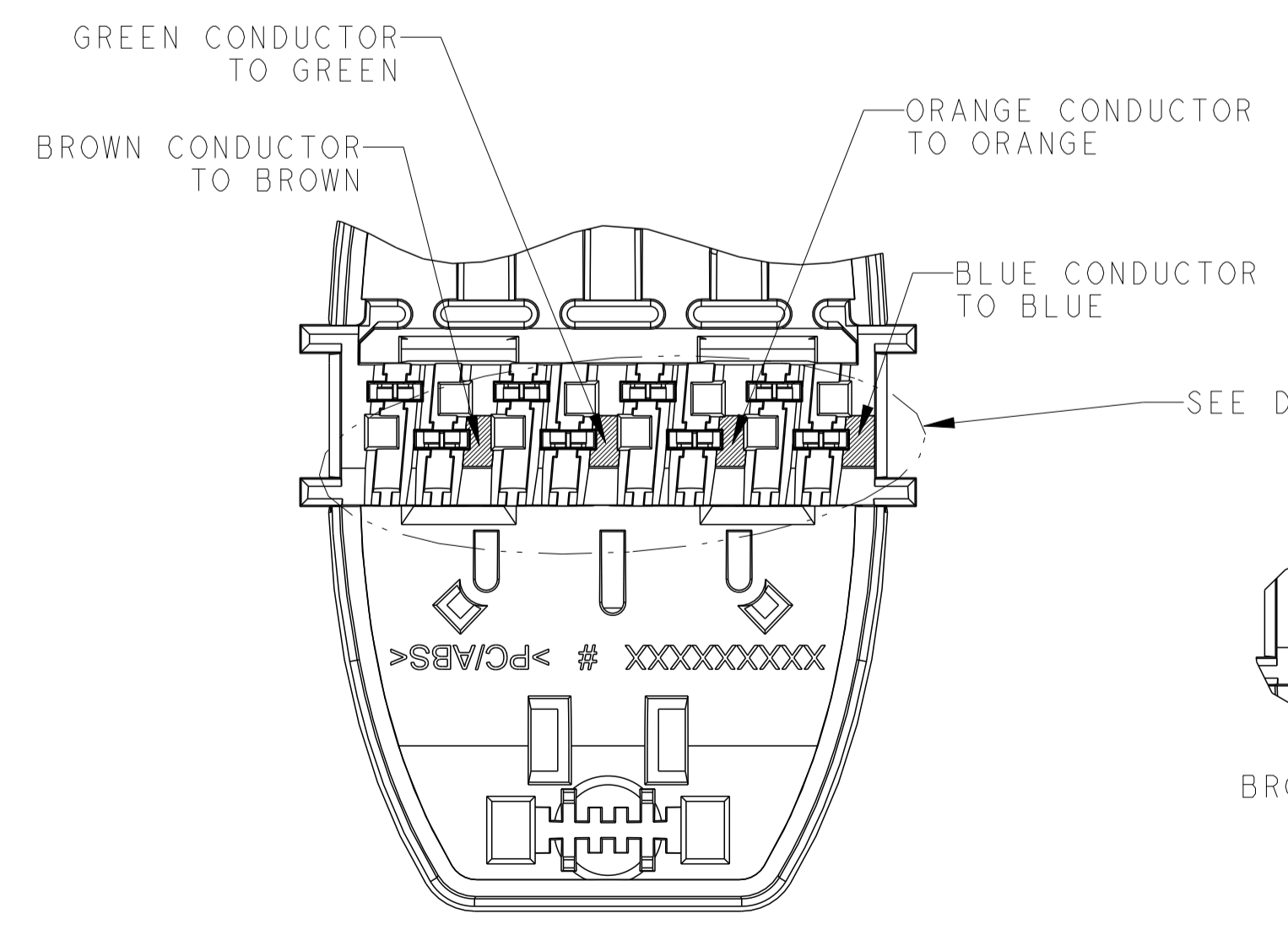


PIN DESIGNATION
8
1

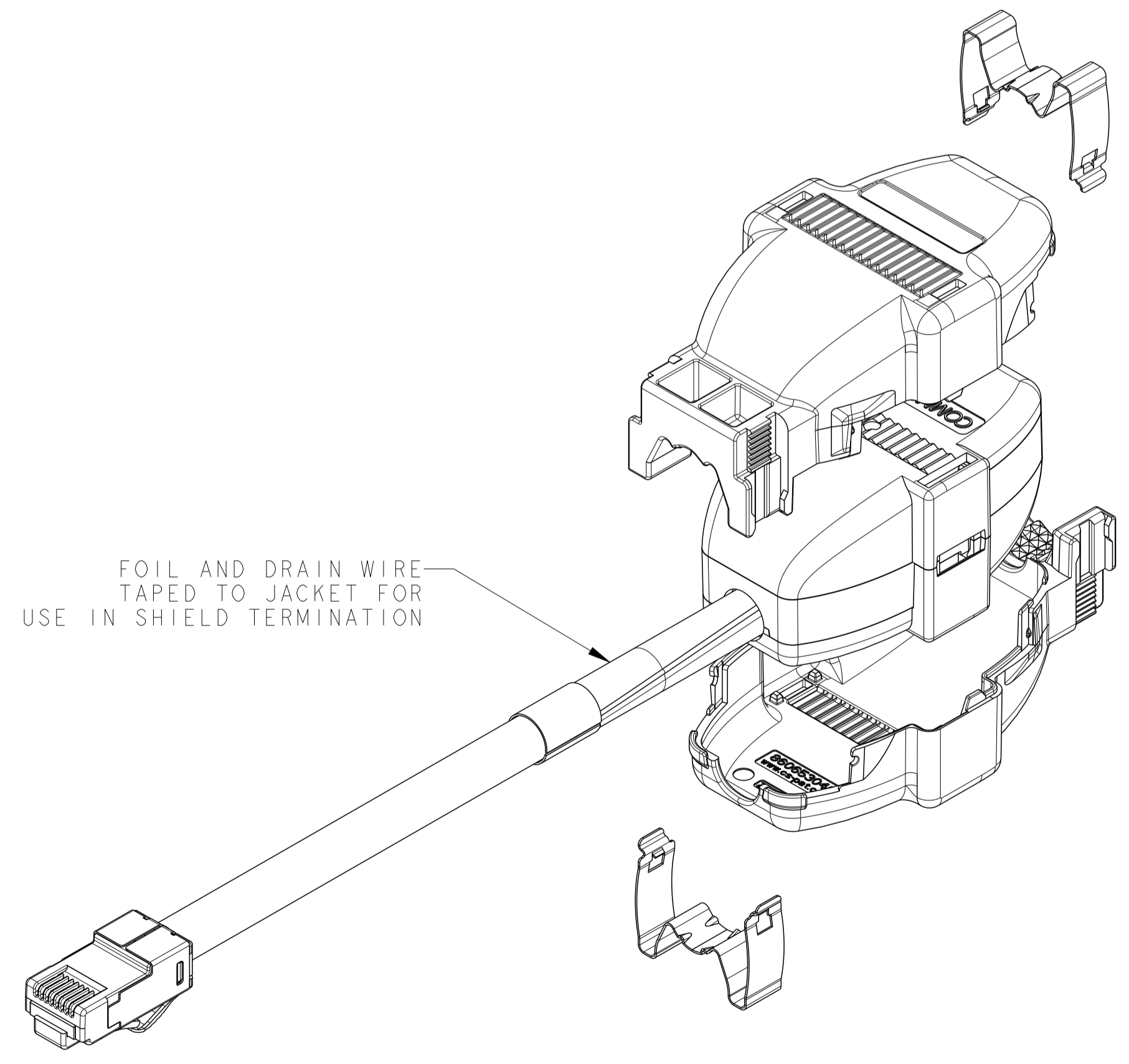


MODELS CO1SJQ2 & CO13JX2
COP3JP2 & COPSJQ2

TIA-568B PIN-OUT	
PIN	WIRE COLOR
1	WHITE OF ORANGE
2	ORANGE
3	LIGHT GREEN
4	BLUE
5	LIGHT BLUE
6	GREEN
7	LIGHT BROWN
8	BROWN



DETAIL A
CEILING CONNECTOR ASSY
COLOR CODE
SCALE 3:1



MODELS CO1KW2, CO1KZ2
SCALE 3:2

TIA-568B WIRING AND CEILING CONNECTOR MARKING
SCALE 3:1

COMMSCOPE, INC.			
DRAFTER G. GARRETT	TITLE CORD, CEILING CONNECTOR		
ENGINEER T. ANDERSON	SIZE A1	SCALE 2:1	DOCUMENT NO. A19010070
CUSTOMER DRAWING			REVISION SHEET C 1 OF 1