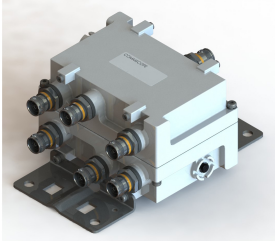


# E14F10P97

---



Twin Triplexer 380-960/1350-2200/2300-2700, DC bypass on all ports, 4.3-10 connectors

- New 4.3-10 connectors for improved PIM performance and size reduction
- Twin configuration
- dc/AISG pass-through on all frequency ports

## Product Classification

**Product Type** Triplexer

## General Specifications

**Color** Gray

**Modularity** 2-Twin

**Mounting** Pole | Wall

**Mounting Pipe Hardware** Band clamps (2)

**RF Connector Interface** 4.3-10 Female

## Dimensions

**Height** 102 mm | 4.016 in

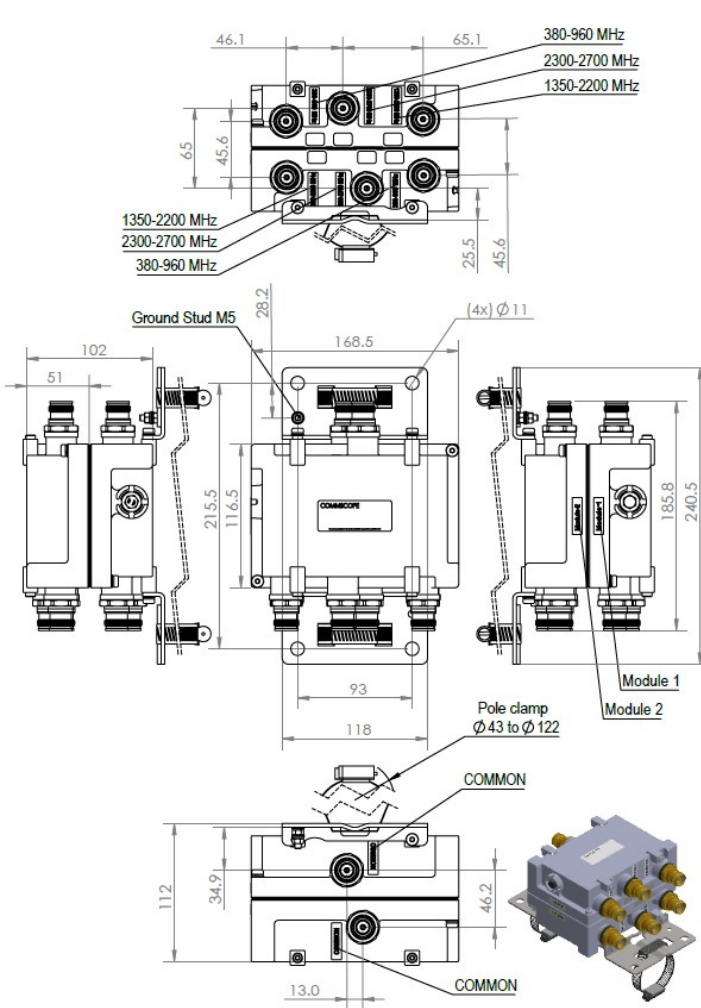
**Width** 168.5 mm | 6.634 in

**Depth** 116.5 mm | 4.587 in

**Mounting Pipe Diameter Range** 43–122 mm

## Outline Drawing

# E14F10P97



## Electrical Specifications

**Impedance** 50 ohm

## Electrical Specifications, dc Power/Alarm

**dc/AISG Pass-through Path** Branch 1 | Branch 2 | Branch 3

**dc/AISG Pass-through, combiner** Branch 1 | Branch 2 | Branch 3

**dc/AISG Pass-through, demultiplexer** Branch 1 | Branch 2 | Branch 3

**Lightning Surge Current** 10 kA

**Lightning Surge Current Waveform** 8/20 waveform

## Electrical Specifications

**Sub-module**

1 | 2

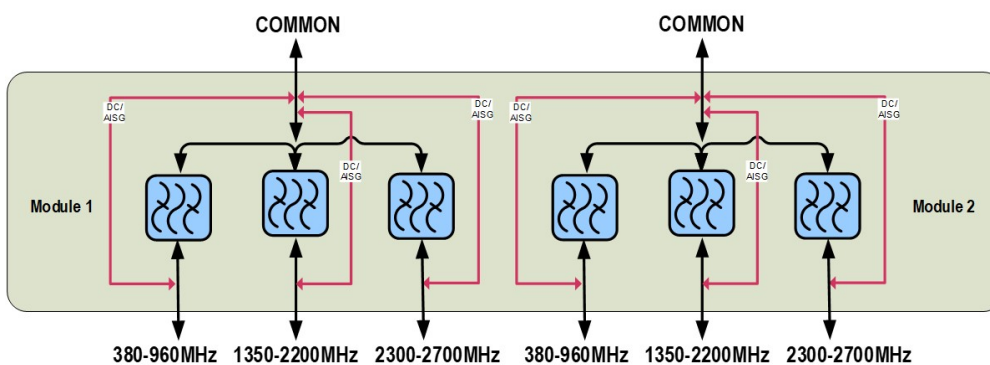
1 | 2

1 | 2

# E14F10P97

<b>Branch</b>	1	2	3
<b>Port Designation</b>	380-960	1350-2200	2300-2700
<b>Electrical Specifications, Band Pass</b>			
<b>Frequency Range, MHz</b>	<b>380–960</b>	<b>1350–2200</b>	<b>2300–2700</b>
<b>Insertion Loss, typical, dB</b>	0.2	0.2	0.2
<b>Return Loss, typical, dB</b>	20	20	20
<b>Isolation, typical, dB</b>	52	52	52
<b>Input Power, RMS, maximum, W</b>	200	200	200
<b>Input Power, PEP, maximum, W</b>	2000	2000	2000
<b>3rd Order PIM, typical, dBc</b>	-162	-162	-162
<b>3rd Order PIM Test Method</b>	Two +43 dBm carriers	Two +43 dBm carriers	Two +43 dBm carriers

## Block Diagram



## Environmental Specifications

<b>Operating Temperature</b>	-40 °C to +65 °C (-40 °F to +149 °F)
<b>Corrosion Test Method</b>	IEC 60068-2-11, 30 days
<b>Environmental Test Method</b>	ETSI EN 300 019-1-4
<b>Ingress Protection Test Method</b>	IEC 60529:2001, IP67

## Packaging and Weights

<b>Included</b>	Mounting hardware
<b>Volume</b>	2 L
<b>Weight, with mounting hardware</b>	3.8 kg   8.378 lb
<b>Weight, without mounting hardware</b>	3.4 kg   7.496 lb