

195PBF-BH-CR



BNC Female Bulkhead for CNT-195 braided cable

OBSOLETE

This product was discontinued on: October 24, 2016

Product Classification

Product Type	Braided cable connector
Product Brand	CNT®

General Specifications

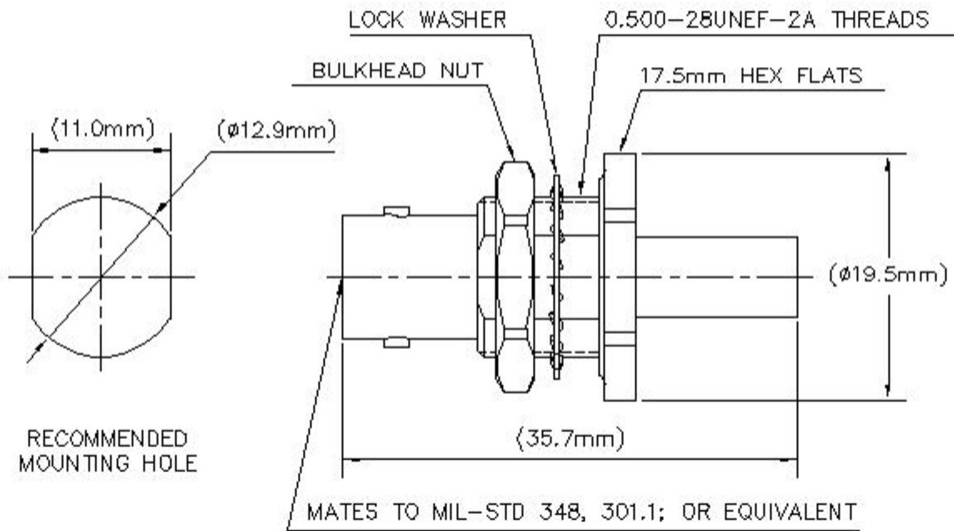
Body Style	Bulkhead
Inner Contact Attachment Method	Solder
Inner Contact Plating	Gold
Interface	BNC Female
Outer Contact Attachment Method	Crimp
Outer Contact Plating	Trimetal
Pressurizable	No

Dimensions

Width	17.5 mm 0.689 in
Length	35.7 mm 1.406 in
Diameter	17.5 mm 0.689 in
Nominal Size	0.195 in

Outline Drawing

195PBF-BH-CR



Electrical Specifications

Insertion Loss, typical	0.05 dB
Average Power at Frequency	150.0 W @ 900 MHz
Cable Impedance	50 ohm
Connector Impedance	50 ohm
dc Test Voltage	1000 V
Inner Contact Resistance, maximum	2.5 mOhm
Insulation Resistance, minimum	5000 MOhm
Operating Frequency Band	0 – 6000 MHz
Outer Contact Resistance, maximum	1 mOhm
Peak Power, maximum	2.5 kW
RF Operating Voltage, maximum (vrms)	353 V

VSWR/Return Loss

Frequency Band	VSWR	Return Loss (dB)
0–3000 MHz	1.089	27.42
3000–6000 MHz	1.38	15.94

Mechanical Specifications

Connector Retention Tensile Force	134 N 30.124 lbf
--	--------------------

195PBF-BH-CR

Connector Retention Torque	0.17 N-m 1.505 in lb
Insertion Force	15 N 3.372 lbf
Insertion Force Method	IEC 61169-8:9.3.5
Interface Durability	500 cycles
Interface Durability Method	IEC 61169-8:9.5
Mechanical Shock Test Method	IEC 60068-2-27

Environmental Specifications

Operating Temperature	-40 °C to +85 °C (-40 °F to +185 °F)
Storage Temperature	-65 °C to +125 °C (-85 °F to +257 °F)
Attenuation, Ambient Temperature	20 °C 68 °F
Average Power, Ambient Temperature	40 °C 104 °F
Average Power, Inner Conductor Temperature	100 °C 212 °F
Climatic Sequence Test Method	IEC 60068-1
Corrosion Test Method	IEC 60068-2-11
Damp Heat Steady State Test Method	IEC 60068-2-3
Thermal Shock Test Method	IEC 60068-2-14
Vibration Test Method	IEC 60068-2-6
Water Jetting Test Mating	Mated
Water Jetting Test Method	IEC 60529:2001, IP65

Packaging and Weights

Weight, net	19.61 g 0.043 lb
--------------------	--------------------

Regulatory Compliance/Certifications

Agency	Classification
ISO 9001:2015	Designed, manufactured and/or distributed under this quality management system

* Footnotes

Insertion Loss, typical	0.05√freq (GHz) (not applicable for elliptical waveguide)
--------------------------------	---