

CA-TNMTF



Type N Male to TNC Female Adapter

Product Classification

Product Type Adapter

General Specifications

Body Style Straight

Inner Contact Plating Gold

Interface N Male

Interface 2 TNC Female

Mounting Angle Straight

Outer Contact Plating Trimetal

Pressurizable No

Dimensions

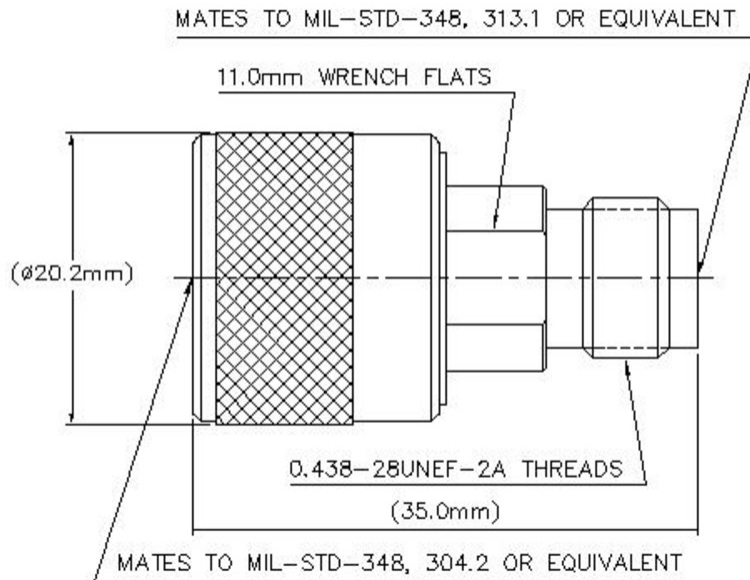
Width 20.24 mm | 0.797 in

Length 34.98 mm | 1.377 in

Diameter 20.24 mm | 0.797 in

Outline Drawing

CA-TNMTF



Electrical Specifications

| | |
|---|-------------------|
| Average Power at Frequency | 300.0 W @ 900 MHz |
| Connector Impedance | 50 ohm |
| dc Test Voltage | 1500 V |
| Inner Contact Resistance, maximum | 1.5 mOhm |
| Insulation Resistance, minimum | 5000 MOhm |
| Operating Frequency Band | 0 – 6000 MHz |
| Outer Contact Resistance, maximum | 0.4 mOhm |
| Peak Power, maximum | 5 kW |
| RF Operating Voltage, maximum (vrms) | 500 V |

VSWR/Return Loss

| Frequency Band | VSWR | Return Loss (dB) |
|----------------|-------|------------------|
| 0-3000 MHz | 1.058 | 31.01 |
| 3000-6000 MHz | 1.161 | 22.56 |

Mechanical Specifications

| | |
|---|------------------------|
| Coupling Nut Proof Torque | 1.7 N-m 15.046 in lb |
| Coupling Nut Proof Torque Method | IEC 61169-16:9.3.6 |
| Coupling Nut Retention Force | 450 N 101.164 lbf |

CA-TNMTF

| | |
|--|-------------------------------------|
| Coupling Nut Retention Force Method | IEC 61169-16:9.3.11 |
| Insertion Force | 28 N 6.295 lbf |
| Insertion Force Method | IEC 61169-16:9.3.5 |
| Interface Durability | 500 cycles |
| Interface Durability Method | IEC 61169-16:9.5 IEC 61169-17:9.5 |
| Mechanical Shock Test Method | IEC 60068-2-27 |

Environmental Specifications

| | |
|---|---------------------------------------|
| Operating Temperature | -55 °C to +85 °C (-67 °F to +185 °F) |
| Storage Temperature | -65 °C to +125 °C (-85 °F to +257 °F) |
| Attenuation, Ambient Temperature | 20 °C 68 °F |
| Average Power, Ambient Temperature | 40 °C 104 °F |
| Average Power, Inner Conductor Temperature | 100 °C 212 °F |
| Climatic Sequence Test Method | IEC 60068-1 |
| Corrosion Test Method | IEC 60068-2-11 |
| Damp Heat Steady State Test Method | IEC 60068-2-3 |
| Immersion Depth | 1 m |
| Immersion Test Mating | Mated |
| Immersion Test Method | IEC 60529:2001, IP68 |
| Thermal Shock Test Method | IEC 60068-2-14 |
| Vibration Test Method | IEC 60068-2-6 |

Packaging and Weights

| | |
|--------------------|-------------------|
| Weight, net | 36.27 g 0.08 lb |
|--------------------|-------------------|

Regulatory Compliance/Certifications

| Agency | Classification |
|---------------|--|
| ISO 9001:2015 | Designed, manufactured and/or distributed under this quality management system |

* Footnotes

| | |
|------------------------|---|
| Immersion Depth | Immersion at specified depth for 24 hours |
|------------------------|---|