

HN Male for 1/2 in LDF4-50A cable

**OBSOLETE**

This product was discontinued on: May 19, 2011

## Product Classification

<b>Product Type</b>	Wireless and radiating connector
<b>Product Brand</b>	HELIAX®

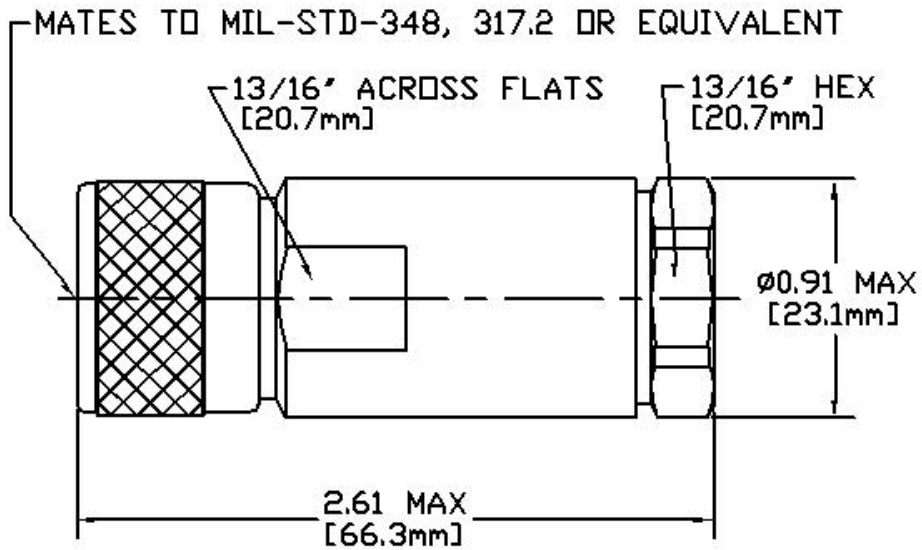
## General Specifications

<b>Body Style</b>	Straight
<b>Cable Family</b>	LDF4-50A
<b>Inner Contact Attachment Method</b>	Solder
<b>Inner Contact Plating</b>	Unplated
<b>Interface</b>	HN Male
<b>Mounting Angle</b>	Straight
<b>Outer Contact Attachment Method</b>	Self-flare
<b>Outer Contact Plating</b>	Unplated
<b>Pressurizable</b>	No

## Dimensions

<b>Length</b>	63.5 mm   2.5 in
<b>Diameter</b>	22.86 mm   0.9 in
<b>Nominal Size</b>	1/2 in

## Outline Drawing



## Electrical Specifications

<b>Insertion Loss Coefficient, typical</b>	0.05
<b>Cable Impedance</b>	50 ohm
<b>Operating Frequency Band</b>	0 – 6500 MHz

## VSWR/Return Loss

Frequency Band	VSWR	Return Loss (dB)
450–880 MHz	1.135	23.98
880–1800 MHz	1.33	17
1800–2600 MHz	1.5	14
2600–6200 MHz	1.79	11
6200–7000 MHz	2.33	8
7000–8800 MHz	3.57	5

## Mechanical Specifications

<b>Attachment Durability</b>	25 cycles
<b>Connector Retention Tensile Force</b>	889.64 N   200 lbf
<b>Connector Retention Torque</b>	5.42 N-m   47.998 in lb

## Environmental Specifications

[44]

---

**Attenuation, Ambient Temperature** 20 °C | 68 °F

**Average Power, Ambient Temperature** 40 °C | 104 °F

## Packaging and Weights

**Weight, net** 154 g | 0.34 lb

## \* Footnotes

**Insertion Loss Coefficient, typical**  $0.05\sqrt{\text{freq (GHz)}}$  (not applicable for elliptical waveguide)