

L45Z

Splice for 7/8 in LDF5-50A cable

OBSOLETE

This product was discontinued on: August 30, 2008

Product Classification

Product Type	Wireless and radiating connector
Product Brand	HELIAX®

General Specifications

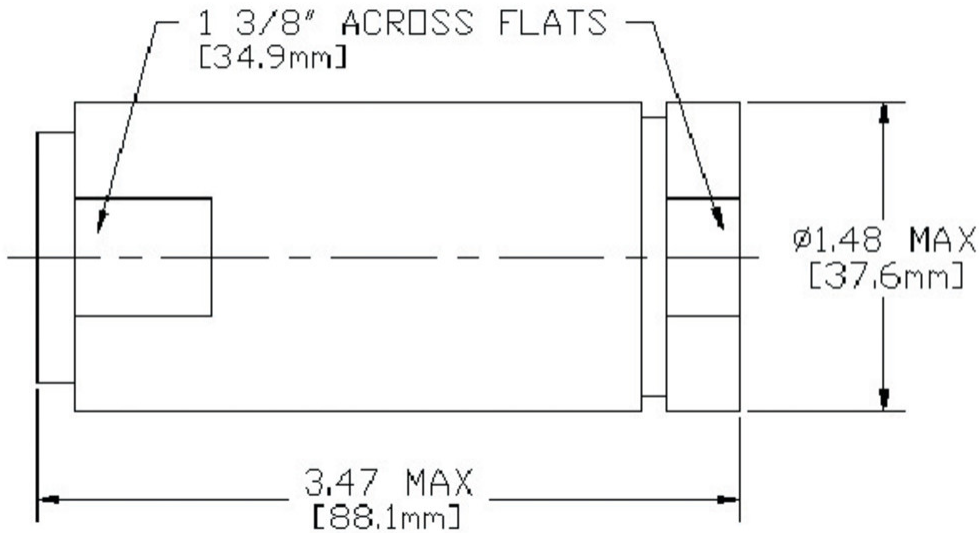
Body Style	Splice
Cable Family	LDF5-50A
Inner Contact Attachment Method	Self-tapping
Inner Contact Plating	Unplated
Interface	Splice
Mounting Angle	Straight
Outer Contact Attachment Method	Self-flare
Outer Contact Plating	Unplated
Pressurizable	No

Dimensions

Length	83.82 mm 3.3 in
Diameter	37.34 mm 1.47 in
Nominal Size	1/2 in

Outline Drawing

L45Z



Electrical Specifications

Insertion Loss Coefficient, typical	0.05
Cable Impedance	50 ohm
Connector Impedance	50 ohm
Operating Frequency Band	0 – 5000 MHz

Mechanical Specifications

Attachment Durability	25 cycles
Connector Retention Tensile Force	889.64 N 200 lbf
Connector Retention Torque	5.42 N-m 47.998 in lb

Environmental Specifications

Attenuation, Ambient Temperature	20 °C 68 °F
Average Power, Ambient Temperature	40 °C 104 °F
Moisture Resistance Test Method	MIL-STD-202, Method 106

Packaging and Weights

Weight, net	372 g 0.82 lb
--------------------	-----------------

* Footnotes

L45Z

Insertion Loss Coefficient, typical $0.05\sqrt{\text{freq}}$ (GHz) (not applicable for elliptical waveguide)