

L4NF-7570



Type N Female for 1/2 in LDF4-75 cable

OBSOLETE

This product was discontinued on: April 6, 2009

Product Classification

Product Type	Wireless and radiating connector
Product Brand	HELIAX®

General Specifications

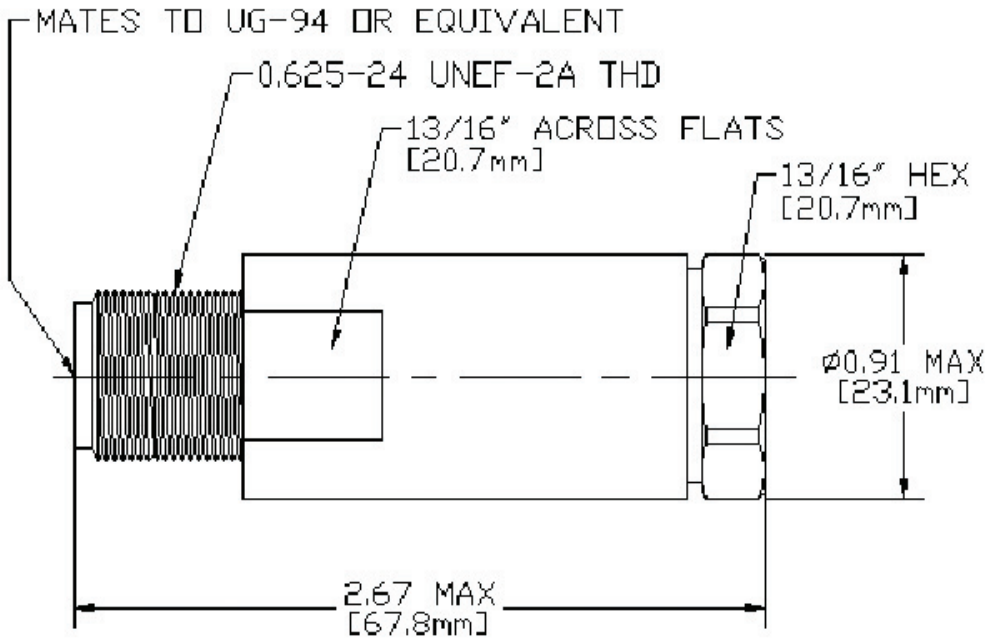
Body Style	Straight
Cable Family	LDF4-75
Inner Contact Attachment Method	Solder
Inner Contact Plating	Silver
Interface	N Female
Mounting Angle	Straight
Outer Contact Attachment Method	Self-flare
Outer Contact Plating	Unplated
Pressurizable	No

Dimensions

Length	58.42 mm 2.3 in
Diameter	22.86 mm 0.9 in
Nominal Size	1/2 in

Outline Drawing

L4NF-7570



Electrical Specifications

Insertion Loss Coefficient, typical	0.05
Average Power at Frequency	0.6 kW @ 900 MHz
Cable Impedance	75 ohm
Connector Impedance	70 ohm
dc Test Voltage	2000 V
Inner Contact Resistance, maximum	0.3 mOhm
Insulation Resistance, minimum	5000 MOhm
Operating Frequency Band	0 – 2000 MHz
Outer Contact Resistance, maximum	1.7 mOhm
Peak Power, maximum	10 kW
RF Operating Voltage, maximum (vrms)	707 V
Shielding Effectiveness	-110 dB

VSWR/Return Loss

Frequency Band	VSWR	Return Loss (dB)
45–1200 MHz	1.074	28.95

L4NF-7570

1220–1600 MHz	1.135	23.98
1600–2000 MHz	1.173	21.98

Mechanical Specifications

Attachment Durability	25 cycles
Interface Durability	500 cycles
Interface Durability Method	IEC 61169-16:9.5

Environmental Specifications

Operating Temperature	-40 °C to +85 °C (-40 °F to +185 °F)
Storage Temperature	-40 °C to +85 °C (-40 °F to +185 °F)
Attenuation, Ambient Temperature	20 °C 68 °F
Average Power, Ambient Temperature	40 °C 104 °F
Immersion Test Mating	Mated

Packaging and Weights

Weight, net	90.72 g 0.2 lb
--------------------	------------------

* Footnotes

Insertion Loss Coefficient, typical $0.05\sqrt{\text{freq (GHz)}}$ (not applicable for elliptical waveguide)