

IC-1012-S



Ice Canopy, 10 ft x 12 ft, four 10 ft 6 in base shoe pipes

Product Classification

Product Type Ice canopies and shields

General Specifications

Pipe, quantity 4

Dimensions

Height 3,200.4 mm | 126 in

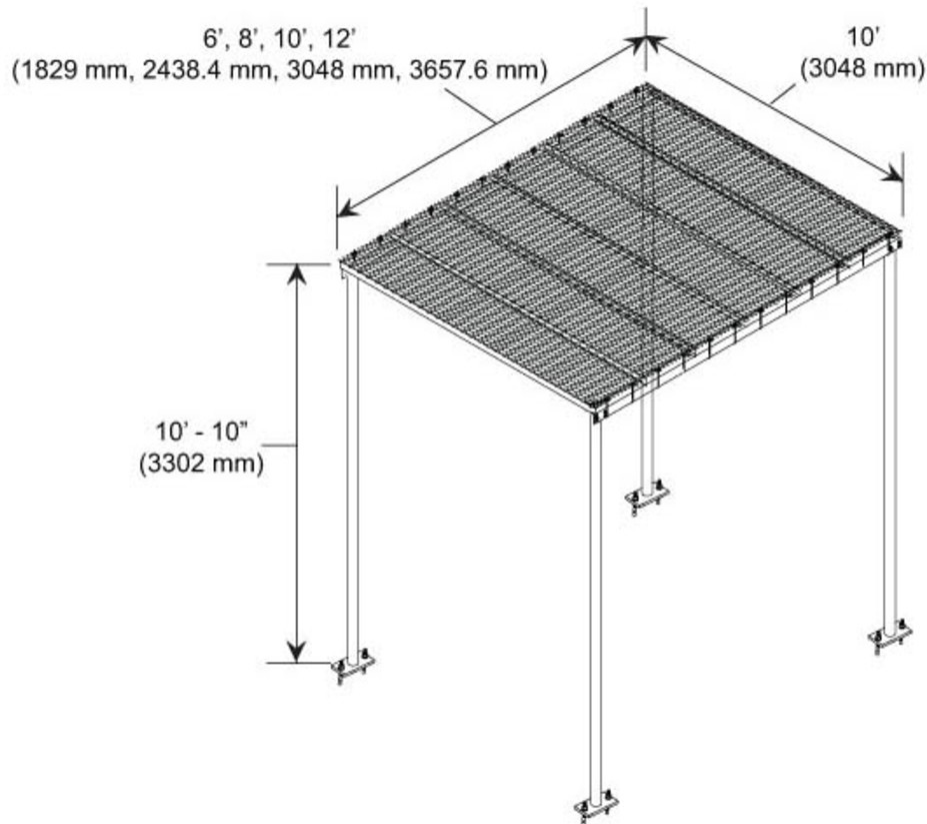
Width 3048 mm | 120 in

Length 3,657.6 mm | 144 in

Pipe Length 3,200.4 mm | 126 in

IC-1012-S

Outline Drawing



Material Specifications

Material Type Hot dip galvanized steel

Packaging and Weights

Included Hardware | Legs | Safety grating

Packaging quantity 1

Weight, net 468 kg | 1,031.762 lb

Regulatory Compliance/Certifications

Agency

ISO 9001:2015

Classification

Designed, manufactured and/or distributed under this quality management system

IC-1012-S



Included Products

- MF-126 – Base Shoe Pipe Column, 10 ft 6 in
- WB-CY210 – Safety Grated Waveguide Bridge Channel, 24 in x 10 ft