

MCPT-114158-S



Manual Cable Preparation Tool for 1-1/4 in and 1-5/8 in coaxial cable and 4.3-10 connectors

- Only compatible with connectors A6HF-S, A6HM-S, A7HF-S, A7HM-S

OBSOLETE

Product Classification

Product Type	Tool
Ordering Note	CommScope® standard product (Global)

General Specifications

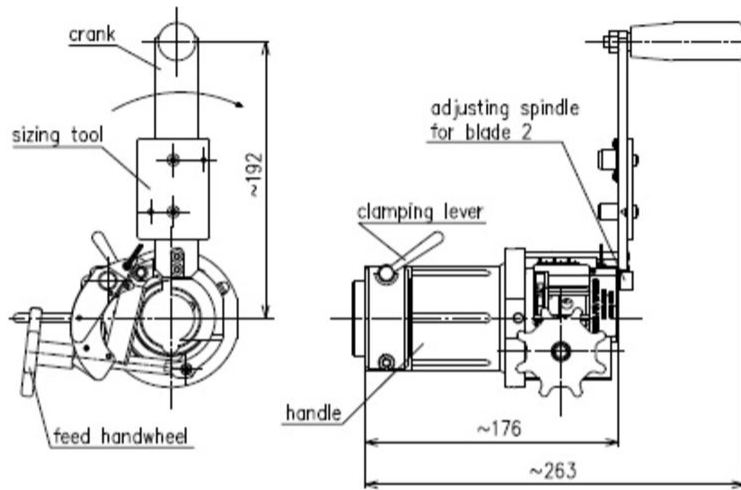
Application	Prepares cable for connector attachment
Cutting Blade Life	200 cable preparations
Cutting Blades Included	1
Jacket Blades Included	1
Tool Type	Manual cable preparation tool

Dimensions

Nominal Size	1-1/4 in 1-5/8 in
---------------------	---------------------

MCPT-114158-S

Outline Drawing



Material Specifications

Material Type Aluminum

Packaging and Weights

Height, packed	279.4 mm 11 in
Width, packed	114.3 mm 4.5 in
Length, packed	299.72 mm 11.8 in
Packaging quantity	1
Weight, gross	1.8 kg 3.968 lb

MCPT-114158-S

Regulatory Compliance/Certifications

Agency**Classification**

CHINA-ROHS

Below maximum concentration value

ISO 9001:2015

Designed, manufactured and/or distributed under this quality management system

REACH-SVHC

Compliant as per SVHC revision on www.commscope.com/ProductCompliance

ROHS

Compliant

UK-ROHS

Compliant

