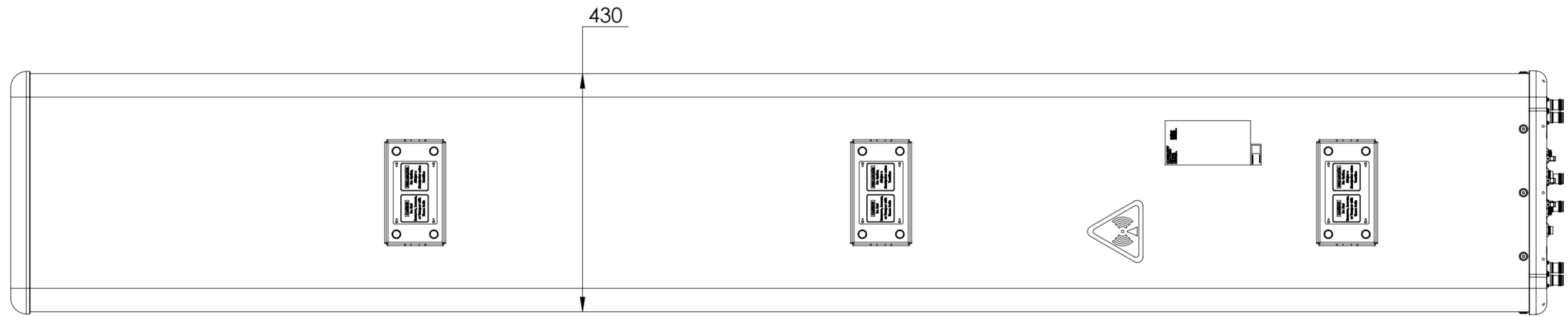
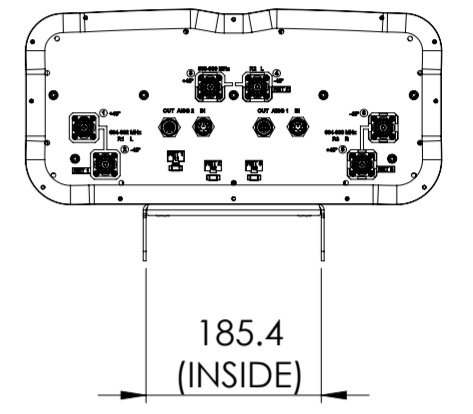
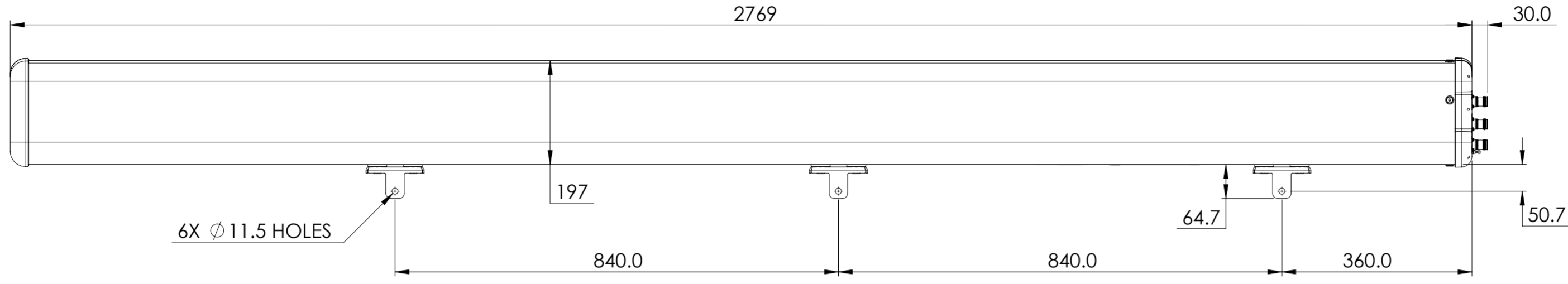


NOTES:

REVISIONS			
REV.	DESCRIPTION	DATE	APPROVED
A	ECR 8000041270: RELEASE TO PRODUCTION PER EAO 608413.	15JUL20 CMY	GZB/XKK
B	ECR 8000044523: UPDATE DRAWING WITH LATEST MODEL.	11JAN21 LIJ	THD/YZLI



EGR-65D-R3N43

**COMMSCOPE, INC. OF NORTH CAROLINA**

TOLERANCES		SAP MATERIAL MASTER	
0 PLACE X ±	2 PLACE .XX ±		
1 PLACE .X ±	ANGLES ±		
FINISH		MATERIAL	
<small>UNLESS OTHERWISE SPECIFIED DIMENSIONS ARE IN MILLIMETERS INTERPRET PER ISO STANDARDS HANDBOOK TECHNICAL DRAWINGS VOLUMES 1 &amp; 2, THIRD EDITION (2002)</small>		NAME	DATE
		CE MC1105	07/15/2020
		RW JL1194	01/12/2021
		RV HDTANG	01/13/2021
		AD YL1022	01/14/2021
RE XIAOWANG	01/14/2021	ECN 8000044523-O	
SCALE		DOCUMENT NO.	
1:8		EGR-65D-R3N43-L	
SIZE	WORK AREA	23	MODEL
A2			VERSION
			STATUS
			REVISION
			VERSION
			STATUS
			REVISION
			01
			RE
			B
			SHEET
			1 OF 1