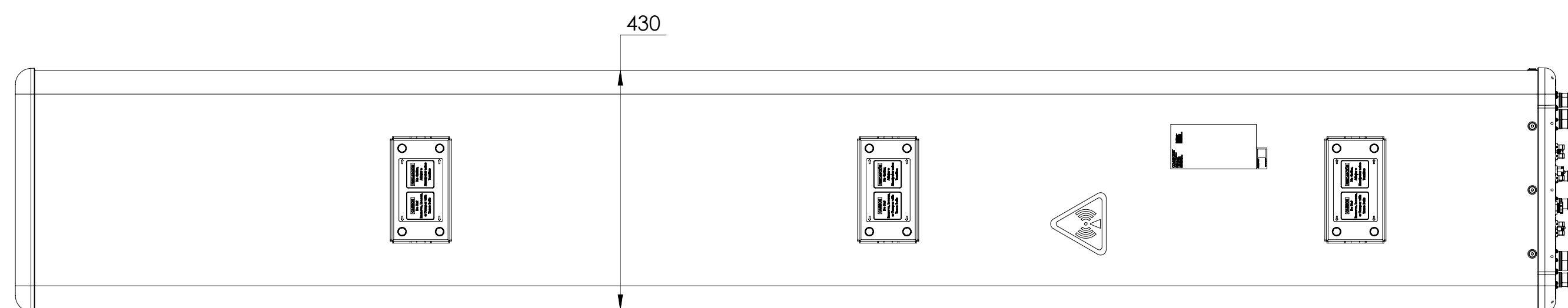
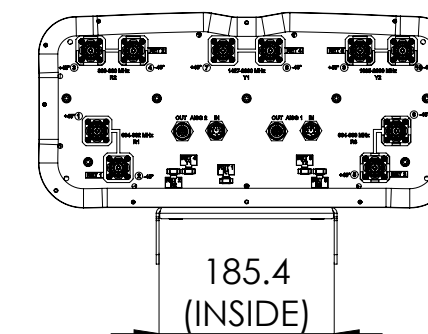
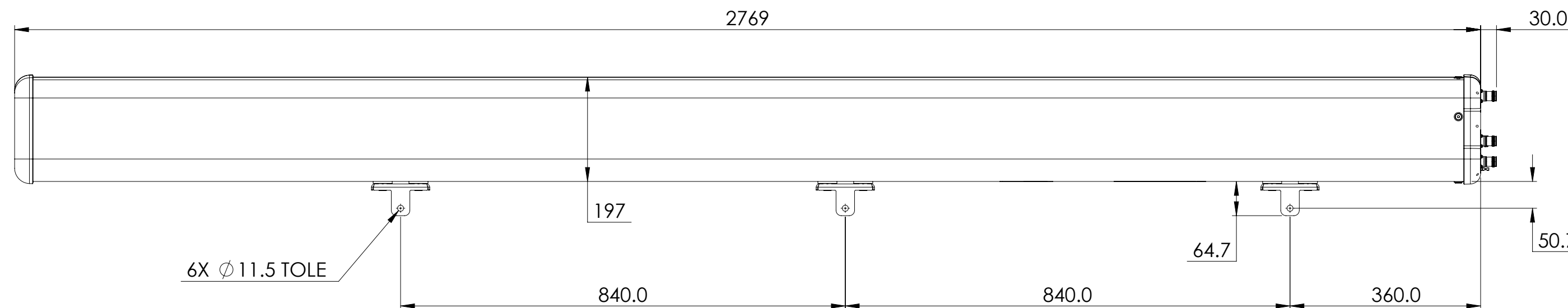


NOTES:

REVISIONS			
REV.	DESCRIPTION	DATE	APPROVED
A	ECR 8000041607: RELEASE TO PRODUCTION PER EAO 608444.	26AUG20 LS	ZYL/XL
B	ECR 8000044523: UPDATE DRAWING WITH LATEST MODEL.	11JAN21 LIJ	THD/YZLI



EGRZV-65D-R5N43

COMMScope, INC. OF NORTH CAROLINA

TOLERANCES		SAP MATERIAL MASTER	
0 PLACE X ±	2 PLACE .XX ±		
1 PLACE .X ±	ANGLES ±		
FINISH		MATERIAL	
<small>UNLESS OTHERWISE SPECIFIED DIMENSIONS ARE IN MILLIMETERS INTERPRET PER ISO STANDARDS HANDBOOK TECHNICAL DRAWINGS VOLUMES 1 & 2, THIRD EDITION (2002)</small>		NAME	DATE
		CE SL1039	08/26/2020
		RW JL1194	01/13/2021
		RV HDTANG	01/13/2021
		AD YL1022	01/14/2021
RE XIAOWANG	01/14/2021	TITLE	
ECN 8000044523-O		PRODUCT DRAWING	
		SCALE	DOCUMENT NO.
		1:8	EGRZV-65D-R5N43-L
		SIZE	WORK AREA
		A2	23
		MODEL	
VERSION	STATUS	REVISION	DRAWING
01	RE	B	01
		DRAWING	
VERSION	STATUS	REVISION	SHEET
01	RE	B	1 OF 1

DENSITY	g/mm ³
MASS	grams
VOLUME	mm ³
SURFACE AREA	mm ²
HEIGHT	
LENGTH	
WIDTH	

© 2020 CommScope, Inc.